



| | |
|------------------------|---|
| Model Name | AC2450S98D-D4 |
| Output Model | Constant Current |
| Input Voltage | 120-277 Vac |
| Input Frequency | 50/60 Hz |
| Dimming | 3 in 1 (PWM,1-10V,Resistance) 1-100% Dimming |
| Surge Rating | 2KV |
| Warranty | 5 Years $TC \leq 75^{\circ}C$ 3 Years $75^{\circ}C \leq TC \leq 90^{\circ}C$ |

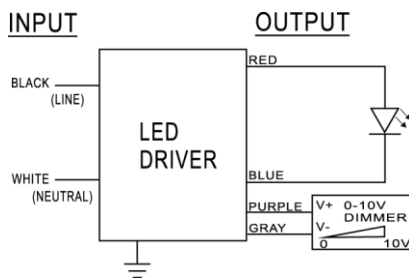
Product Specification



Class2

| Output Power (W) | Output Voltage (V) | Output Current (A) | Start Temp. ($^{\circ}F/^{\circ}C$) | Tcase Temp. ($^{\circ}F/^{\circ}C$) | Input Current (A) | Input Power (W) | Inrush Current (A) | THD (%) | Power Factor | Efficiency (%) |
|------------------|--------------------|--------------------|---------------------------------------|---------------------------------------|------------------------|-----------------|--------------------|---------|--------------|----------------|
| Max. 98 | 24-40 | 2.45 | Min. -40/-40 | Max. 194/90 | 0.93@120V 0.4@277V | 111 | Max. 35A | Max. 20 | Min. 0.9 | Typ. 88 |
| 84 | 24-40 | 2.1 | -40/-40 | 194/90 | 0.8@120V 0.35@277V | 97 | 35A | 20 | 0.9 | 87 |
| 70 | 24-40 | 1.75 | -40/-40 | 194/90 | 0.68@120V 0.29@277V | 81 | 35A | 20 | 0.9 | 86 |
| 56 | 24-40 | 1.4 | -40/-40 | 194/90 | 0.55@120V 0.24@277V | 66 | 35A | 20 | 0.9 | 85 |

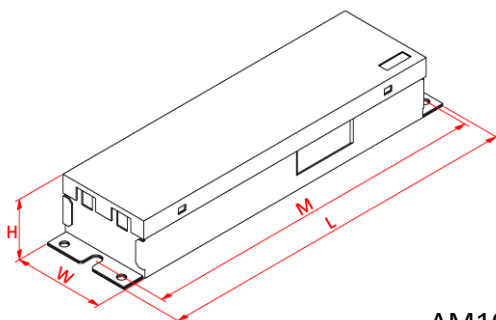
Wire Diagram



Maximum wiring distance (at full load) is 18AWG/18Feet
LED case should be grounded

| Lead Length | Inch | Cm |
|-------------|------|----|
| Black | 5.9 | 15 |
| White | 5.9 | 15 |
| Green | NA | NA |
| Red | 5.9 | 15 |
| Blue | 5.9 | 15 |
| Purple | 7.1 | 18 |
| Gray | 7.1 | 18 |

Enclosure



AM105

| Enclosure | Inch | Cm |
|-------------|------|------|
| Length(L) | 9.5 | 24.1 |
| Width(W) | 2.6 | 6.6 |
| Height(H) | 1.59 | 4.05 |
| Mounting(M) | 8.9 | 22.6 |