

# VEROBOARD®

**Model: VBD-N1616-SD-W**

<b>Material:</b>	Silicone
<b>Colour:</b>	White
<b>Beam Angel:</b>	120°
<b>Channel Length:</b>	10m (32.8ft) Max
<b>Channel Width:</b>	16mm (0.62")
<b>Channel Height:</b>	16mm (0.62")

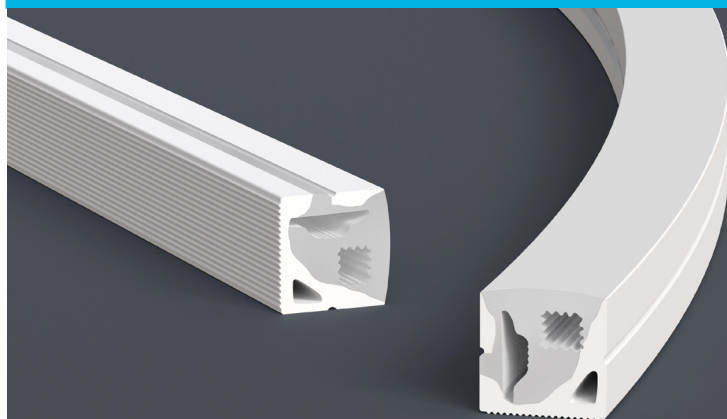
**Job Name:** \_\_\_\_\_

**Distributor:** \_\_\_\_\_

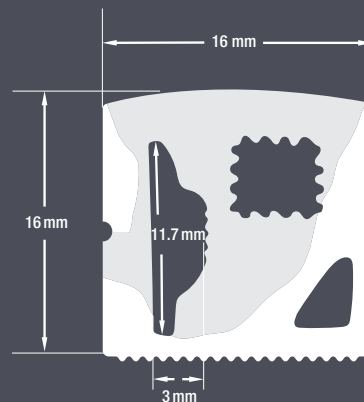
**Type:** \_\_\_\_\_

**VBD-N1616-SD-W**

**SKU: 666561432553**



**Model: VBD-N1616-SD-W**



**VBD-N1616-SD-W** is designed to meet your needs with exceptional performance and quality. Please note that while this product is built to excel in various conditions, it is not recommended for extended exposure to strong UV rays or direct sunlight. If you intend to utilize the **VBD-N1616-SD-W** outdoors, we strongly recommend providing ample shade or protective cover to shield it from direct sunlight.

## ACCESSORIES (Sold Separately)

End Caps (1 Pair/bag)	Mounting Clips (10 PCs/bag)	Flexible Clips (1 Meter)	Linear Mounting (1 Meter)
<p><b>Model: VBD-EN1616-W</b> <b>SKU: 666561432546</b></p>	<p><b>Model: VBD-CLN1616-MC</b> <b>SKU: 666561432522</b></p>	<p><b>Model: VBD-CLN1616-FC</b> <b>SKU: 666561432508</b></p>	<p><b>Model: VBD-CLN1616-LI</b> <b>SKU: 666561432515</b></p>

## Ordering Guide Example: VBD-N1616-SD-W-4FT

**MODEL**

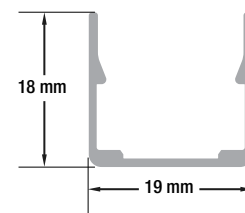
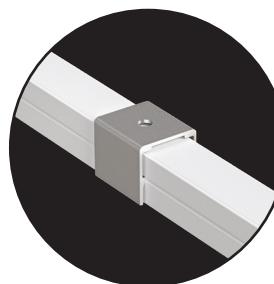
**LENGTH (FT)**

VBD-N1616-SD-W

-

XXXX

Maximum Length 10 Meters (32.8ft)



# VEROBOARD®

**LED Type:** VBDFS-A5050-RGB60K-84-24-NS  
**Colour:** RGB+6000K

	Wattage
Per Foot	4.5W/ft
Per Meter	15W/m



**Job Name:** \_\_\_\_\_

**Distributor:** \_\_\_\_\_

**Type:** \_\_\_\_\_

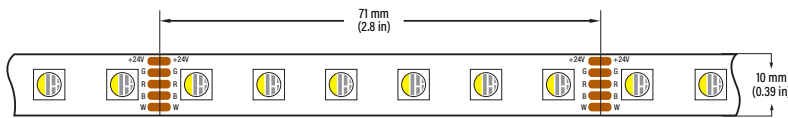


666561433253

## DESCRIPTION

Flexible 10mm-wide linear LED strip, specially designed for our Flexible Neon Channels, does not include double-sided 3m tape so that it can be easily inserted into the neon channel. can be cut every 6 LEDs (71mm or 2.8 inches). These LED strip lights are crafted from premium materials and engineered for professional lighting applications. Each strip light starts with a robust dual-core copper printed circuit board (PCB), which is then fitted with an array of chips and color options through soldering.

## DIMENSIONS



Back Side



## SPECIFICATIONS

<b>Model:</b>	VBDFS-A5050-RGB60K-84-24-NS
<b>Color Temperature:</b>	RGB+6000K (Cool White)
<b>LED Type:</b>	5050 SMD
<b>LED Qty:</b>	84 LEDs per meter
<b>Input Voltage (VF):</b>	24V DC
<b>Power:</b>	15W per meter (4.5W/ft)
<b>Lifespan:</b>	>50,000 hours
<b>PCB:</b>	4oz PCB, Double-side, white colour 10mm width
<b>Rendering Index (Ra):</b>	CRI>95
<b>Beam Angle:</b>	120°
<b>Dimmable:</b>	Yes
<b>Cut Size:</b>	Every 6 LED chips (2.8")
<b>Operating Temperature:</b>	-15°C to +40°C
<b>Dimensions:</b>	10mm (0.39")
<b>Certificates:</b>	UL / RoHs

**COMPATIBLE  
SILICONE NEON  
CHANNELS**  
(Sold Separately)



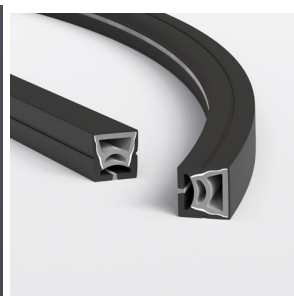
Model: VBD-N1616-SF-B  
SKU: 666561432485



Model: VBD-N1616-SD-W  
SKU: 666561432553



Model: VBD-N1018-SF-B  
SKU: 666561433031



Model: VBD-N2020-SF-B  
SKU: 666561432782



Model: VBD-N2020-SD-W  
SKU: 666561432836



Model: VBD-N2020-SFD-W  
SKU: 666561432881

For more information about our products and services, please visit our website: [www.veroboard.com](http://www.veroboard.com)

# VEROBOARD®

**LED Type:** VBDFS-E2835-XXXX-168-24-NS-10  
**Colour:** 2700K • 3000K • 3500K • 4000K • 5000K

	Wattage	Brightness
Per Foot	4.2W/ft	500Lm/ft
Per Meter	14W/m	1640Lm/m



**Job Name:** \_\_\_\_\_

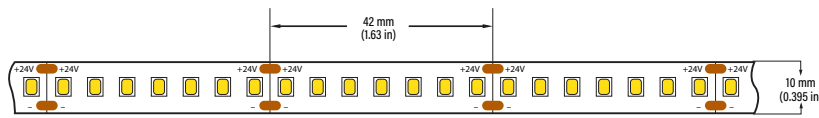
**Distributor:** \_\_\_\_\_

**Type:** \_\_\_\_\_

## DESCRIPTION

Flexible 10mm-wide linear LED strip, specially designed for our Flexible Neon Channels, does not include double-sided 3m tape so that it can be easily inserted into the neon channel. can be cut every 7 LEDs (42mm or 1.63 inches). These LED strip lights are crafted from premium materials and engineered for professional lighting applications. Each strip light starts with a robust dual-core copper printed circuit board (PCB), which is then fitted with an array of chips and color options through soldering.

## DIMENSIONS



## SPECIFICATIONS

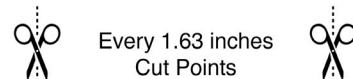
<b>Model:</b>	VBDFS-E2835-xxxx-168-24-NS-10
<b>Color Temperature:</b>	2700K • 3000K • 3500K • 4000K • 5000K
<b>LED Type:</b>	2835 SMD
<b>LED Qty:</b>	168 LEDs per meter
<b>Input Voltage (VF):</b>	24V DC
<b>Power:</b>	14W per meter (4.2W/ft)
<b>Brightness:</b>	1640 Lm/meter (500 Lm/ft)
<b>Lifespan:</b>	>50,000 hours
<b>PCB:</b>	4oz PCB, Double-side, white colour 10mm width
<b>Rendering Index (Ra):</b>	CRI>95
<b>Beam Angle:</b>	120°
<b>Dimmable:</b>	Yes
<b>Cut Size:</b>	Every 7 LED chips (1.63")
<b>Operating Temperature:</b>	-15°C to +40°C
<b>Dimensions:</b>	10mm (0.39")
<b>Certificates:</b>	UL / RoHs



666561433192  666561433208  666561433215



666561433222  666561433239



Every 1.63 inches  
Cut Points



Back Side



**COMPATIBLE  
SILICONE NEON  
CHANNELS**  
(Sold Separately)



**Model:** VBD-N1616-SF-B  
**SKU:** 666561432485



**Model:** VBD-N1616-SD-W  
**SKU:** 666561432553



**Model:** VBD-N1018-SF-B  
**SKU:** 666561433031



**Model:** VBD-N2020-SF-B  
**SKU:** 666561432782



**Model:** VBD-N2020-SD-W  
**SKU:** 666561432836



**Model:** VBD-N2020-SFD-W  
**SKU:** 666561432881

For more information about our products and services, please visit our website: [www.veroboard.com](http://www.veroboard.com)