

SR-2819S-DIM (R1)

Single Color Remote Controller

Model No.:	SR-2819S-DIM (R1)
Output:	RF Signal
Voltage:	4.5V (3xAAA battery)
Frequency:	434MHz/869.5MHz/916.5MHz
Control Zone:	4 Zone
Color Controller:	Dimmer
Compatible Controllers:	SR-1009FA3 (R-1.6A) SR-1009FA7 (R-3A) SR-1009EATYWI-5C (R-8A) SR-1009EA-5C (R-25.5A) SR-1009TYWI-5C (R-4A) SR-1009CS (R1)
Operating Temperature:	0-40° C
Relative Humidity:	8% to 80%
IP Rated:	IP20 (Indoor use only)
Dimensions:	120mm x 55mm x 17mm (4.725" x 2.17" x 0.67")
Certifications:	CE/FCC/RoHS

Name: _____

Company: _____

Phone: _____

Email: _____



Features:

- Ultra sensitive touch control brightness touch wheel for accurate and fast color control.
- Touch the color wheel to choose brightness.
- Control 4 different zones separately or synchronously with endless receivers in each zone.
- Save 3 different scenes for each zone.
- Control distance around 20-30 meters.
- 256 level brightness adjustment for each white to achieve millions of colors.
- Smooth dimming without any flickering from 0.1% to 100%.
- 25%, 50%, 75% and 100% brightness can be accessed directly by buttons.
- Humanized memory function to remember last kelvin after turn off or cut off.
- To work with power repeater to expand output unlimitedly.



Disclaimer:

The data and information contained in this specification sheet are subject to change without notice; the ratings supplied are provided based on the product manufacturer. The information contained in this specification sheet should not be considered a warranty, expressed or implied, including, but not limited to, a warranty of merchantability or fitness for a particular purpose. In no event shall Veroboard be liable for any incidental or consequential damages resulting from the use, misuse, or inability to use the product. This exclusion applies regardless of whether such damages are sought based on breach of warranty, breach of contract, negligence, strict liability in tort, or any other legal theory.



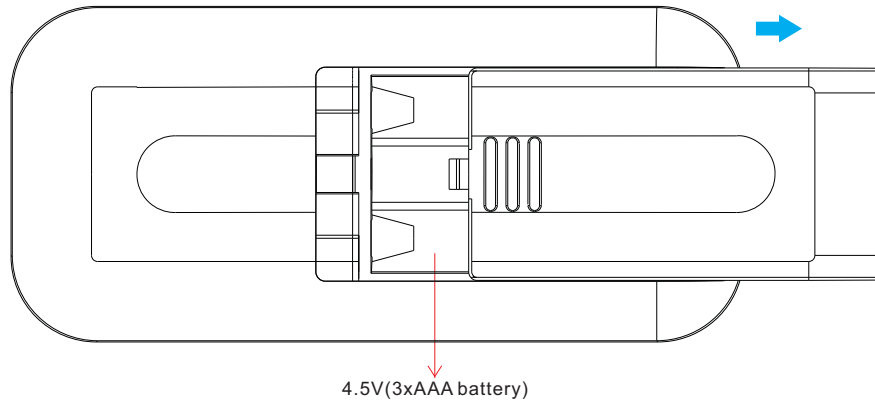
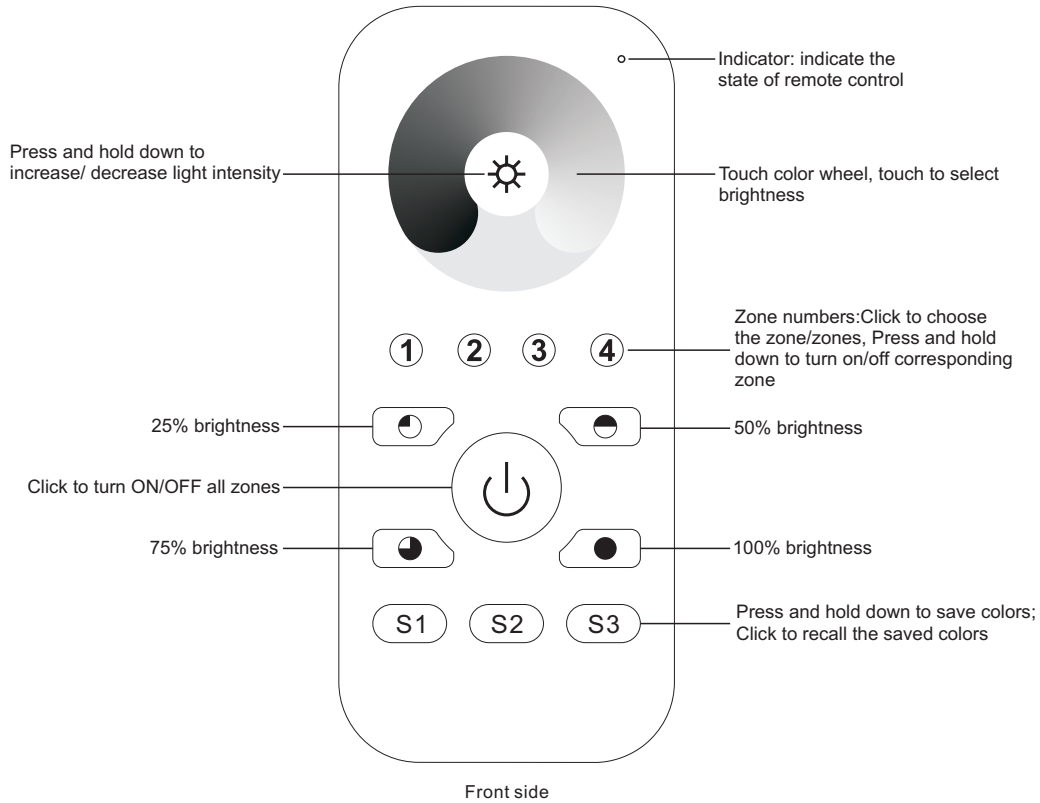
RF Single Color Remote Controller

09.289SD.04166



Important: Read All Instructions Prior to Installation

Function introduction



Product Data

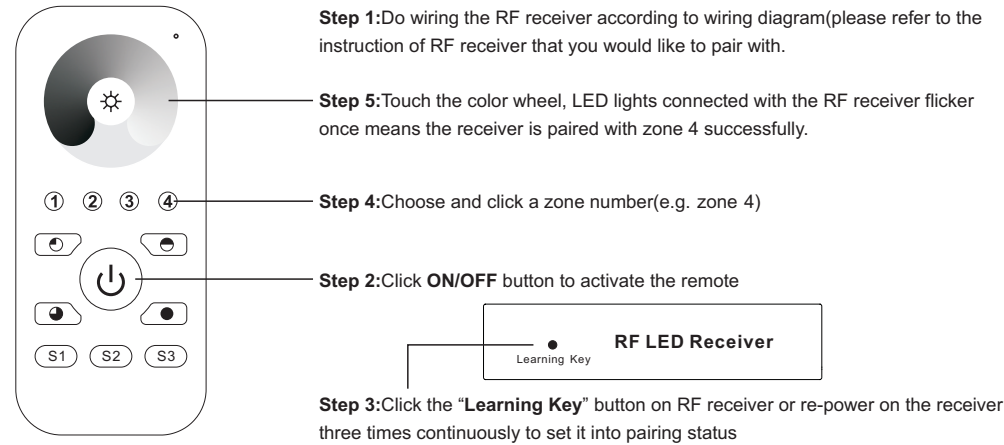
Output	RF signal
Operation Frequency	869.5/916.5/434MHz
Power Supply	4.5V(3xAAA battery)
Operating temperature	0-40°C
Relative humidity	8% to 80%
Dimensions	120x55x17mm

- Control 4 zones of RF receivers separately.
- Single color controller
- High sensitive & high stable, fast & precise color control.
- Compatible with all universal series RF receivers
- 1 receiver can be paired by max 8 different remote controls.
- Waterproof grade: IP20

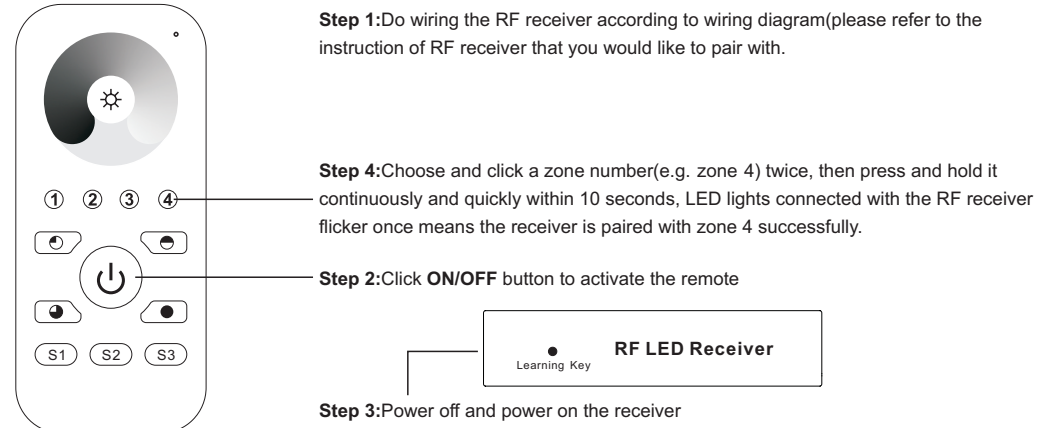
Safety & Warnings

- This device contains AAA batteries that shall be stored and disposed properly.
- DO NOT expose the device to moisture.

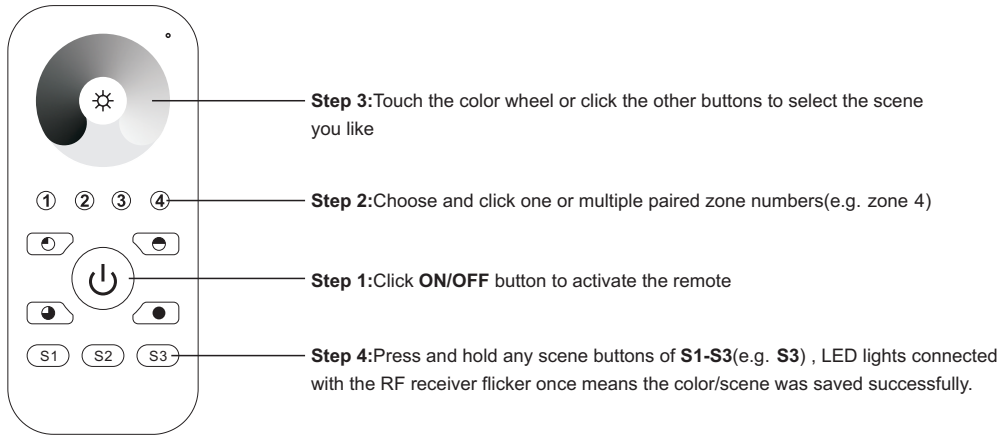
Pair with RF receiver(Method 1)



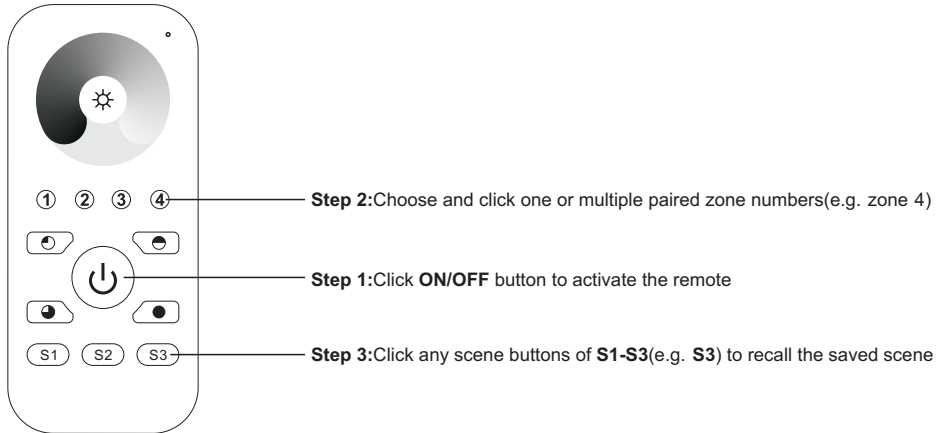
Pair with RF receiver(Method 2)



Save color/scene/mode

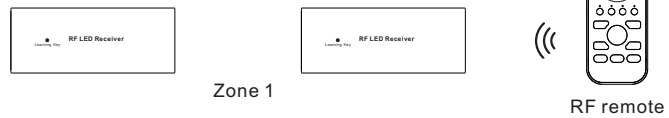


Recall the saved colors/scenes



If you use multiple receivers, you have two choices:

Option 1: have all the receivers in the same zone, like zone 1



Option 2: have each receiver in a different zone, like zone 1, 2, 3 or 4

