

## SR-1009FA3 (R-1.6A)

Constant Current Receiver, 12-36VDC 16.8-50.4W

<b>Model No.:</b>	SR-1009FA3 (R-1.6A)
<b>Input Voltage:</b>	12-36V DC
<b>Output Wattage:</b>	16.8W @12V DC
	33.6W @24V DC
	50.4W @36V DC
<b>Output Current:</b>	4 x 350mA (4CH x 350mA/CH)
<b>Compatible Remote Controllers:</b>	SR-2819S-CCT(R2) SR-2819S RGBW(R3) SR-2819S-DIM(R1)
<b>Case Temperature (Tc):</b>	75° C
<b>Ambient Temperature (Ta):</b>	20° C ~ +5°0 C
<b>Dimensions:</b>	164mm x 47mm x 23mm (6.45" x 1.83" x 0.88")
<b>Certifications:</b>	CE/cRU/RoHS

Name: \_\_\_\_\_

Company: \_\_\_\_\_

Phone: \_\_\_\_\_

Email: \_\_\_\_\_



### Features:

- This LED receiver provides a constant current of 350mA for 4 channels.
- It is fully compatible with a range of single color, dual color, and RGB/RGBW RF remotes.
- The receiver allows for separate or synchronous control of multiple zones, with an unlimited number of receivers in each zone.
- Up to 8 different remotes can control each receiver.
- The brightness of each R, G, B, and W channel can be adjusted to create millions of color combinations.
- The receiver supports radio frequencies of 869.5/434/916.5MHz.



### Disclaimer:

The data and information contained in this specification sheet are subject to change without notice; the ratings supplied are provided based on the product manufacturer. The information contained in this specification sheet should not be considered a warranty, expressed or implied, including, but not limited to, a warranty of merchantability or fitness for a particular purpose. In no event shall Veroboard be liable for any incidental or consequential damages resulting from the use, misuse, or inability to use the product. This exclusion applies regardless of whether such damages are sought based on breach of warranty, breach of contract, negligence, strict liability in tort, or any other legal theory.



SKU: 666561430825

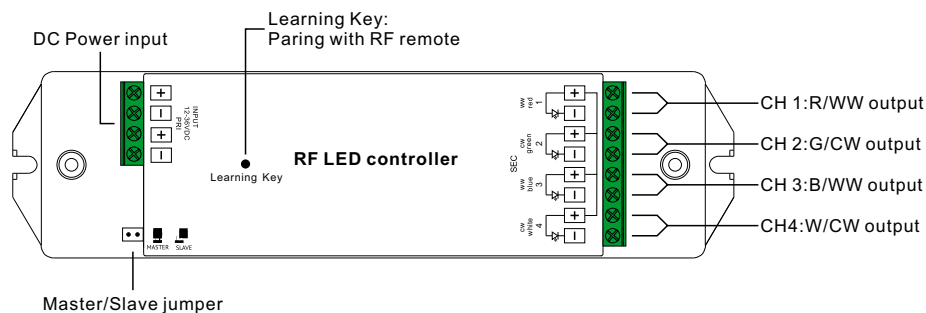
# Universal series RF Receiver

09.009FA.04018



**Important:** Read All Instructions Prior to Installation

## Function introduction



## Product Data

No.	Input Voltage	Output Current	Output Power	Remarks	Size(LxWxH)
1	12-36VDC	4x5A	4x(60-180)W	Constant voltage	178x46x22mm
2	12-36VDC	4x350mA	4x(4.2-12.6)W	Constant current	178x46x22mm
3	12-36VDC	4x500mA	4x(6-18)W	Constant current	178x46x22mm
4	12-36VDC	4x700mA	4x(8.4-25.2)W	Constant current	178x46x22mm

- Radio Frequency : 869.5/916.5/434mhz
- Waterproof grade: IP20

## Safety & Warnings

- DO NOT install with power applied to device.
- DO NOT expose the device to moisture.

## Pair/delete the pairing with RF remote

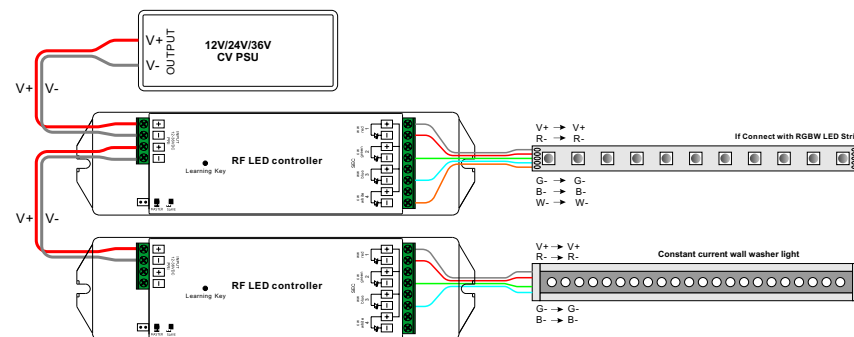
1. Do wiring according to connection diagram.
2. Pair RF Receiver with RF remote: please refer to the instruction of the remote that you would like to pair with.
3. Delete the pairing:
  - (1) Wire up the RF receiver correctly, power on.
  - (2) Press and hold down the " **Learning Key** " button on receiver for over 3 seconds until the connected light flashes, which means well deleted.

## Master and Slave Setting:

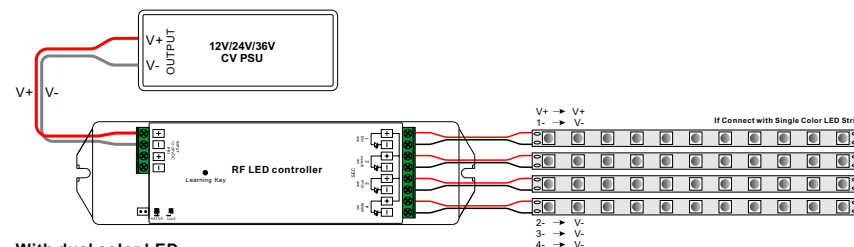
1. The receiver has both master and slave functions which can be set with a jumper. Short circuit of the jumper means master function, and open circuit means slave function. Once short circuit the jumper on a receiver, please power off and power on the receiver to enable master function. Setting master and slave enables perfect synchronization of color changing effects.
2. Set one receiver as master and pair it to any zone of a remote, and this zone shall only have one receiver which works as master. Set all other receivers as slave and pair them to other zones of the remote, and multiple receivers can be paired to each zone. Then choose all zones on the remote and play the color changing effects, the master will send sync signal to the slaves to achieve perfect synchronization. The max. sync distance between the master and any slave is within 30m.

## Wiring Diagram

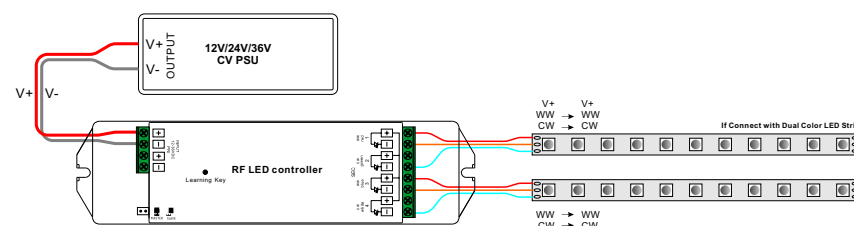
### With RGB/RGBW color LED



### With single color LED



### With dual color LED



## Product Dimension

