



## B3BJM1221T

### LANDSCAPE LED LIGHTS, 24V 60W RGBW

#### Specifications



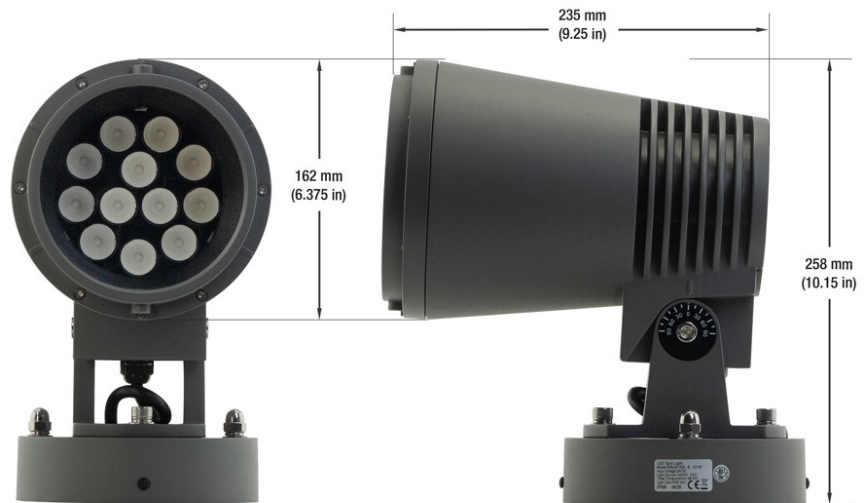
<b>Model No.:</b>	B3BJM1221T
<b>Input Voltage:</b>	24V DC
<b>Wattage:</b>	60W
<b>Color:</b>	RGBW
<b>Light Source:</b>	12 x 5W LEDs
<b>Body Color:</b>	Dark Grey
<b>Beam Angle:</b>	25°
<b>Rotation Capability:</b>	90° Horizontal, 180° Diagonal
<b>IP Rating:</b>	IP65 (Suitable for wet locations)
<b>Dimensions:</b>	Ø 162 x 235 x 258 mm (6.375 x 9.25 x 10.15 in)
<b>Certification:</b>	ETL



**SKU: 666561430405**

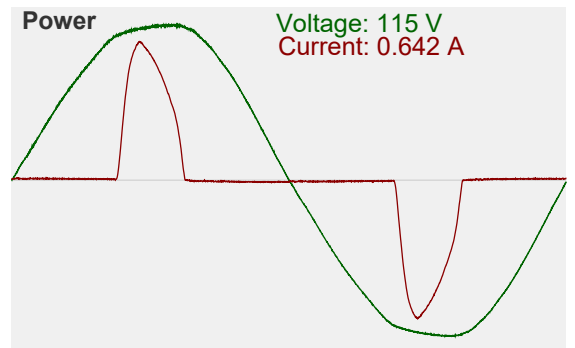
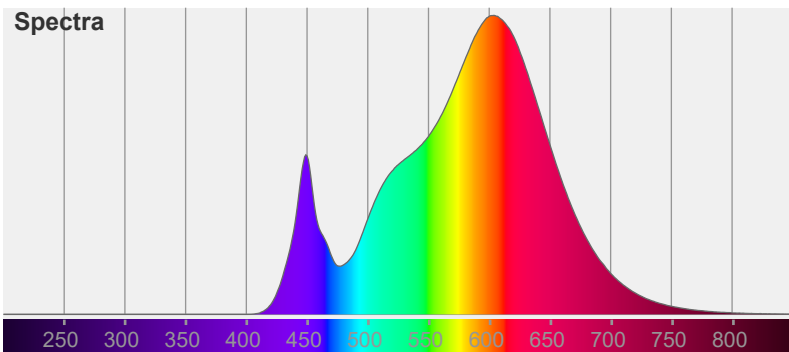
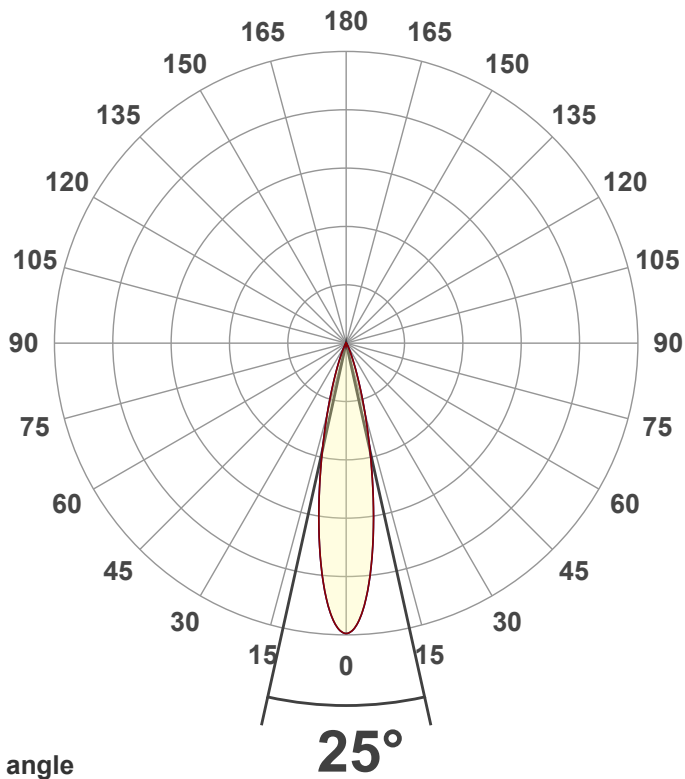
#### Features

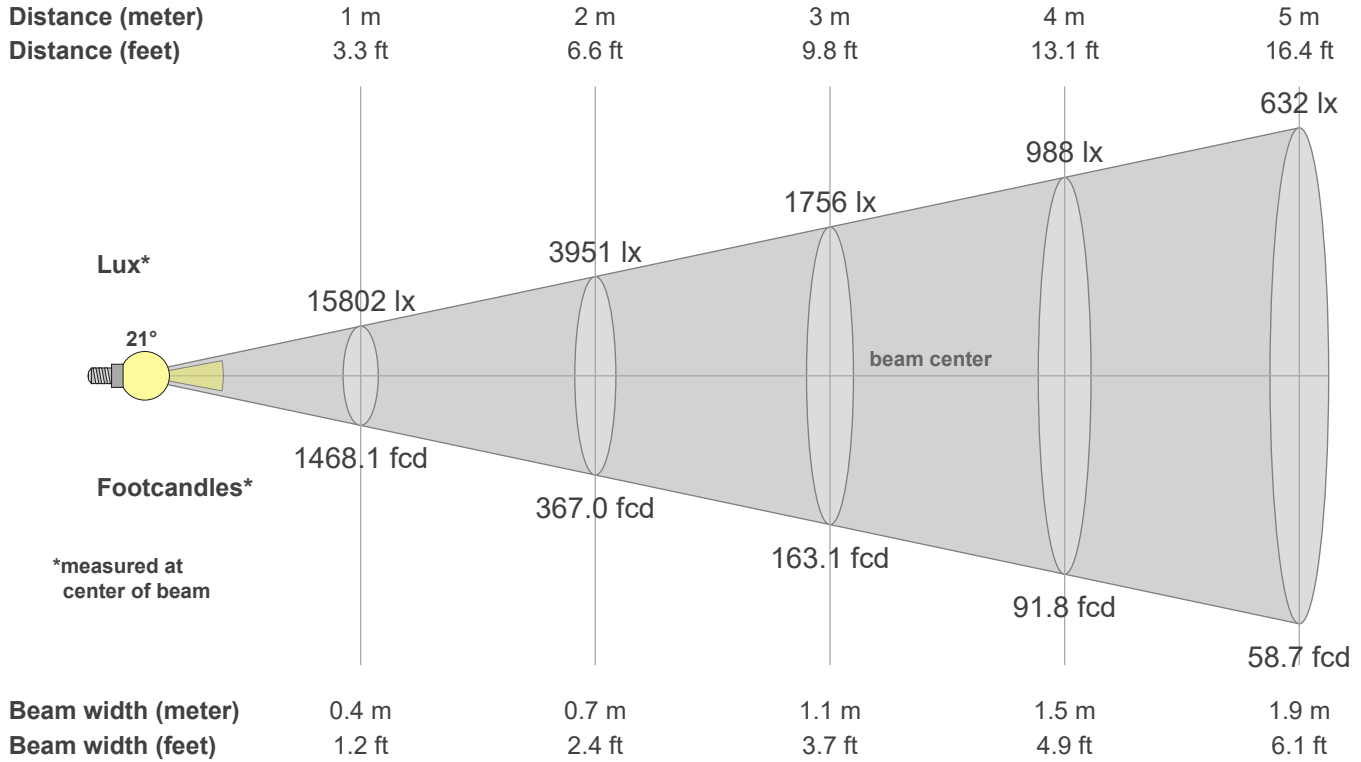
- This RGBW lighting fixture provides excellent illumination for landscapes and exteriors, featuring a 90° horizontal rotation and 180° diagonal rotation for optimal adjustability.
- Ideal for various special applications, such as illuminating trees, statues, building exteriors, etc.
- This product comes with a two-year warranty.



#### Disclaimer

The data and information contained in this specification sheet are subject to change without notice; the ratings supplied are provided based on the product manufacturer. The information contained in this specification sheet should not be considered a warranty, expressed or implied, including, but not limited to, a warranty of merchantability or fitness for a particular purpose. In no event shall LED Lights and Parts be liable for any incidental or consequential damages resulting from the use, misuse, or inability to use the product. This exclusion applies regardless of whether such damages are sought based on breach of warranty, breach of contract, negligence, strict liability in tort, or any other legal theory.





### Intensities in 0° c-plane

0°	1°	2°	3°	4°	5°	6°	7°	8°	9°	10°	11°	12°	13°	14°	15°	16°	17°	18°	19°
15.8K	15.7K	15.4K	14.9K	14.3K	13.5K	12.6K	11.6K	10.6K	9.5K	8.5K	7.4K	6.5K	5.6K	4.7K	4.0K	3.3K	2.7K	2.2K	1.8K
100%	99%	97%	94%	90%	85%	80%	74%	67%	60%	54%	47%	41%	35%	30%	25%	21%	17%	14%	11%

### Intensities in 90° c-plane

0°	1°	2°	3°	4°	5°	6°	7°	8°	9°	10°	11°	12°	13°	14°	15°	16°	17°	18°	19°
15.8K	15.7K	15.4K	14.9K	14.3K	13.5K	12.6K	11.6K	10.6K	9.5K	8.5K	7.4K	6.5K	5.6K	4.7K	4.0K	3.3K	2.7K	2.2K	1.8K
100%	99%	97%	94%	90%	85%	80%	74%	67%	60%	54%	47%	41%	35%	30%	25%	21%	17%	14%	11%

### Intensities in 180° c-plane

0°	1°	2°	3°	4°	5°	6°	7°	8°	9°	10°	11°	12°	13°	14°	15°	16°	17°	18°	19°
15.8K	15.7K	15.4K	14.9K	14.3K	13.5K	12.6K	11.6K	10.6K	9.5K	8.5K	7.4K	6.5K	5.6K	4.7K	4.0K	3.3K	2.7K	2.2K	1.8K
100%	99%	97%	94%	90%	85%	80%	74%	67%	60%	54%	47%	41%	35%	30%	25%	21%	17%	14%	11%

### Intensities in 270° c-plane

0°	1°	2°	3°	4°	5°	6°	7°	8°	9°	10°	11°	12°	13°	14°	15°	16°	17°	18°	19°
15.8K	15.7K	15.4K	14.9K	14.3K	13.5K	12.6K	11.6K	10.6K	9.5K	8.5K	7.4K	6.5K	5.6K	4.7K	4.0K	3.3K	2.7K	2.2K	1.8K
100%	99%	97%	94%	90%	85%	80%	74%	67%	60%	54%	47%	41%	35%	30%	25%	21%	17%	14%	11%

Beam angle 50%	Field angle 10%	Cutoff angle 2.5%	Intensity ratio in 120° cone	Intensity ratio in 90° cone
21.1°	39.3°	52.1°	99.7%	99.2%