

VEROBOARD®

2" Trimless Downlight

Veroboard 2 inches trimless downlight is specially designed to eliminate glare when illuminated. It is an IC-rated fixture that comes along with a junction box LED driver. It has the option of choosing desired color temperature from 2700K-3000K-3500K-4000K-5000K. This light is perfect for both new construction and remodeling installation with easy push spring clips.

SPECIFICATIONS



Engine Model No:	LED-2-S8W-L5CCTWH-T
Voltage:	120V AC
Wattage:	8W
LED Driver:	IC Rated
Color Temperature:	5CCT Selectable Color Temperature (2700K-3000K-3500K-4000K-5000K)
Dimmable:	Yes
Dimming:	100 - 10% (Triac Dimming)
Dimmers:	LED/CEL Dimmers
Brightness:	600 Lumens
Rendering Index:	CRI>90
LED Type:	Integrated COB LED
Fixture Color:	White
Fixture Material:	Die-Cast Aluminum
Rated Life:	50,000 Hours
Installation:	Recessed/Flush Mount
IP Rating:	IP20 (Damp Locations)
Outer Dimensions:	Ø63 mm (Ø2.48 in) x 61.82 mm (2.43 in) Depth
LED Driver Dimensions:	103 x 52.30 mm (4 x 2 in)
Cut Size:	67 mm (2.625 in)
Package Content:	Light Fixture with IC-Rated LED Driver
Certification:	FCC/ETL/Energy Star/RoHS



Selectable
Color Temperature
Switch

FT6
RATED
CABLE



**LED DRIVER
INCLUDED**



Disclaimer:

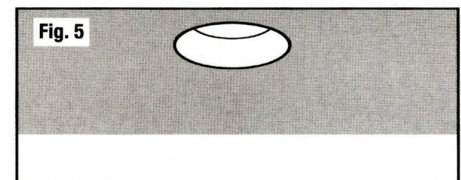
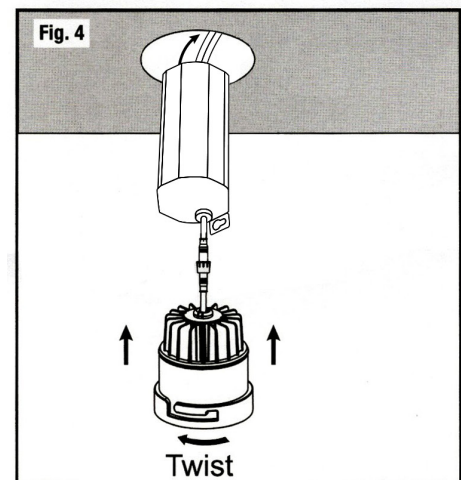
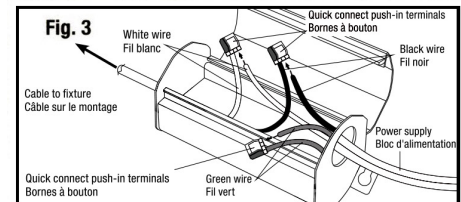
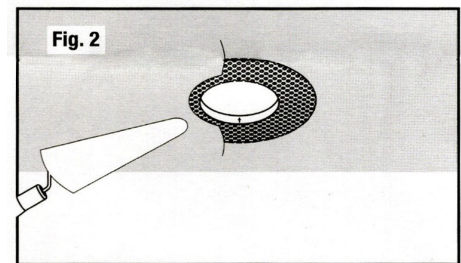
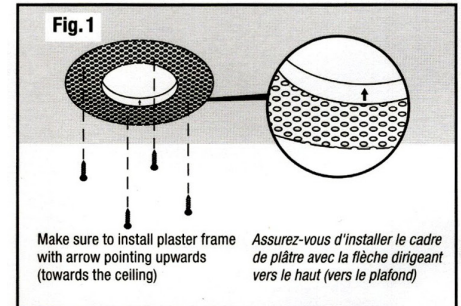
The data and information contained in this specification sheet are subject to change without notice; the ratings supplied are provided based on the product manufacturer. The information contained in this specification sheet should not be considered a warranty, expressed or implied, including, but not limited to, a warranty of merchantability or fitness for a particular purpose. In no event shall Veroboard be liable for any incidental or consequential damages resulting from the use, misuse, or inability to use the product. This exclusion applies regardless of whether such damages are sought based on breach of warranty, breach of contract, negligence, strict liability in tort, or any other legal theory.

Name: _____

Quantity: _____

Phone: _____

Email: _____



SKU: 666561425685

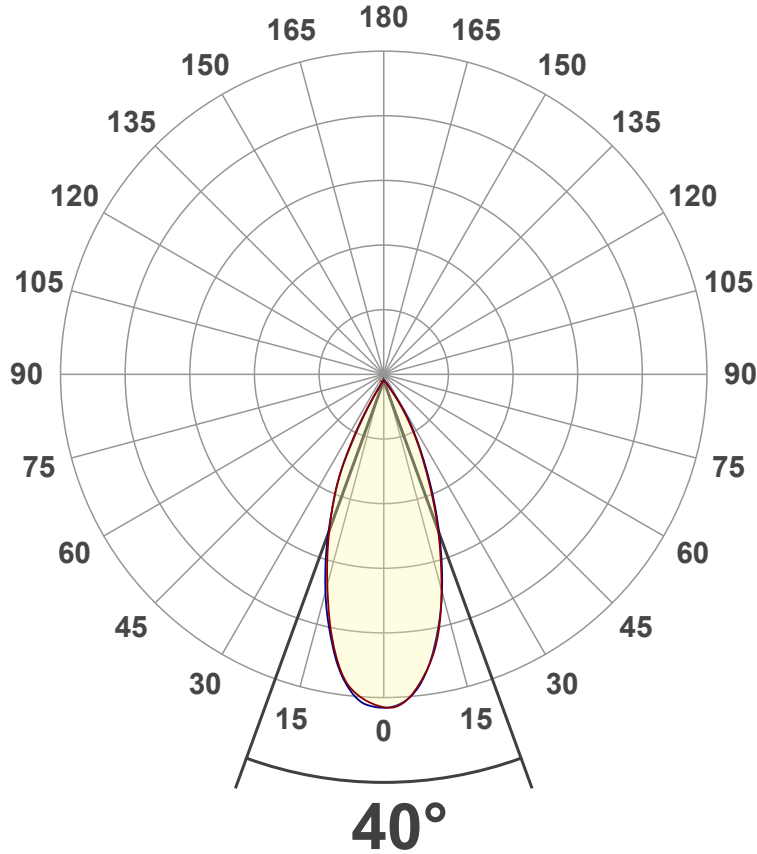
Light Measurement Report

Print date: 2023-01-06

Measurement date and time: 2023-01-06 11:03:54 AM – Measurement no. VFR-230106-0049-MS

Luminous Intensity diagram

Unit: 0-100% of peak intensity



Main Values

Output (total Lumen)	600 lm
Lumen Up% / Down%	0.01% / 99.99%
Peak Intensity	1229 cd
Beam Angle (50%)	40°
Beam Angle (90%)	40.4°
Beam Angle (10%)	39.9°

Cut-off Angle

Average 2,5%	77.8°
--------------	-------

Field Angle

Average 10%	65.9°
-------------	-------

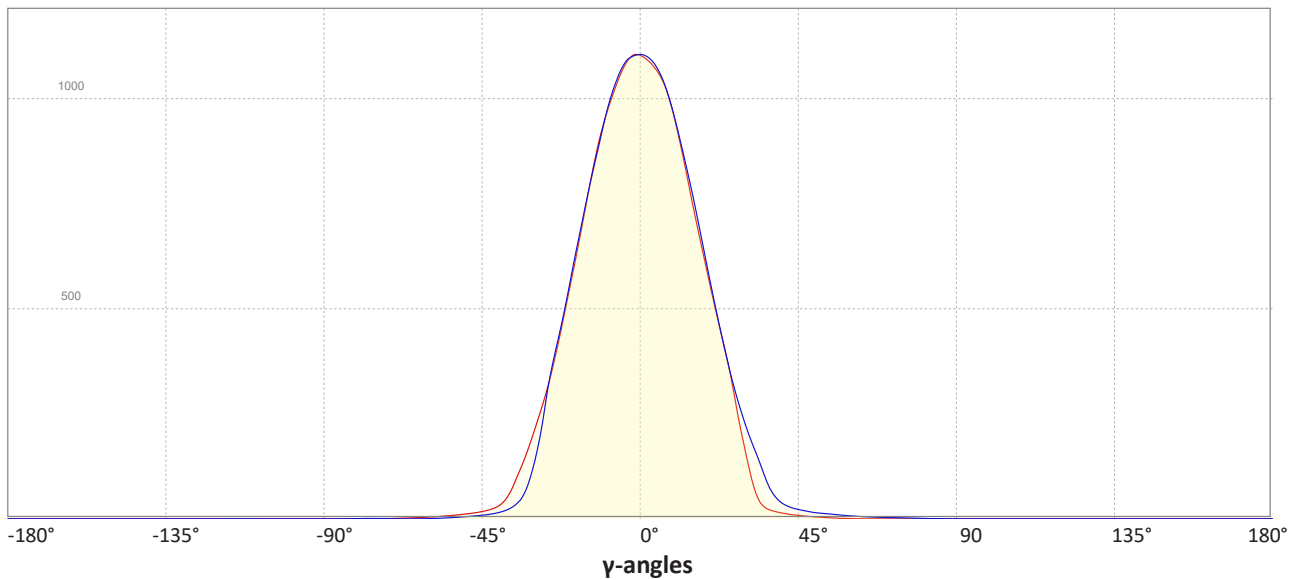
Intensity Ratio

In 120° cone	99.4%
In 90° cone	97.6%

C000-C180

C090-C270

Linear distribution diagram - Intensity (candela) vs γ -angle



Light Measurement Report

Print date: 2023-01-06

Measurement date and time: 2023-01-06 11:03:54 AM – Measurement no. VFR-230106-0049-MS

Color details

Correlated Color Temperature, Target CCT = 3000 K
 Correlated Color Temperature, Measured CCT = 2967 K
 Color Rendering Index CRI 93.3
 Color Rendering Index, R9 (red component) R9 = 60.9
 Color Rendering TM30-18 R_f 89.0 – R_g 94.6
 Color Quality Scale CQS = 90.8

MacAdam Steps
 Color coordinates CIE 1931 (x;y) = (0.437;0.404)
 Color coordinate CIEs 1960 (u';v') = (0.251;0.348)
 Color deviation from BBL Duv = 0.0016
 Color coordinate CIEs 1976 (CIELUV) (u'';v'') = (0.251;0.251)

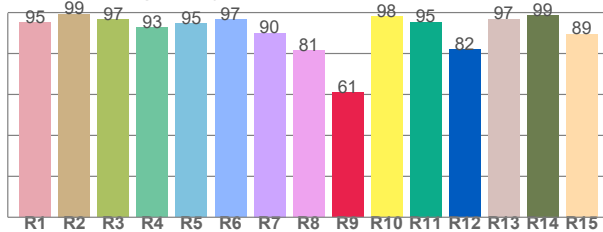
CIE 1931



CIE 1931 – zoomed on Planckian locus



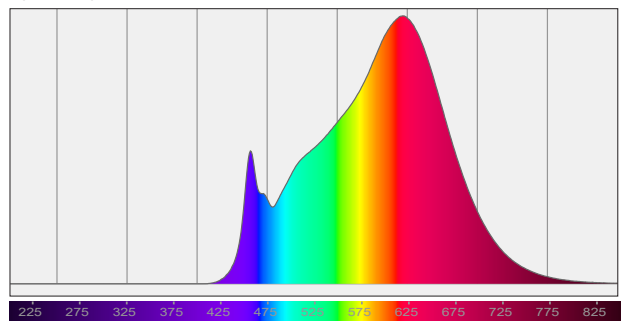
Color Rendering Index per reference color (CIE 1995)



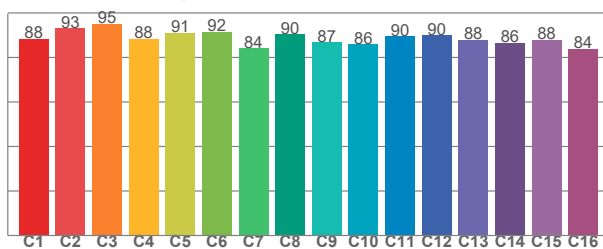
CRI R values, only R1-R8 are used to calculate final CRI value

R1	R2	R3	R4	R5	R6	R7	R8	R9	R10	R11	R12	R13	R14	R15
95.2	99.3	96.5	92.7	94.7	96.7	90.0	81.4	60.9	98.0	95.4	81.9	96.8	98.7	89.5

Spectral power distribution (SPD) / W/nm – 0-100%



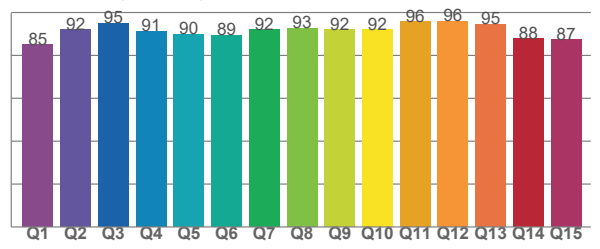
TM30-18 Rf-values per hue bin



TM30 C values, 16 binned values out of total of 99 C values

C1	C2	C3	C4	C5	C6	C7	C8	C9	C10	C11	C12	C13	C14	C15	C16
88.3	93.1	95.3	88.4	91.2	91.6	84.2	90.3	86.7	85.9	89.6	89.9	88.0	86.5	87.9	83.9

Color Quality Scale by reference color



CQS Q values

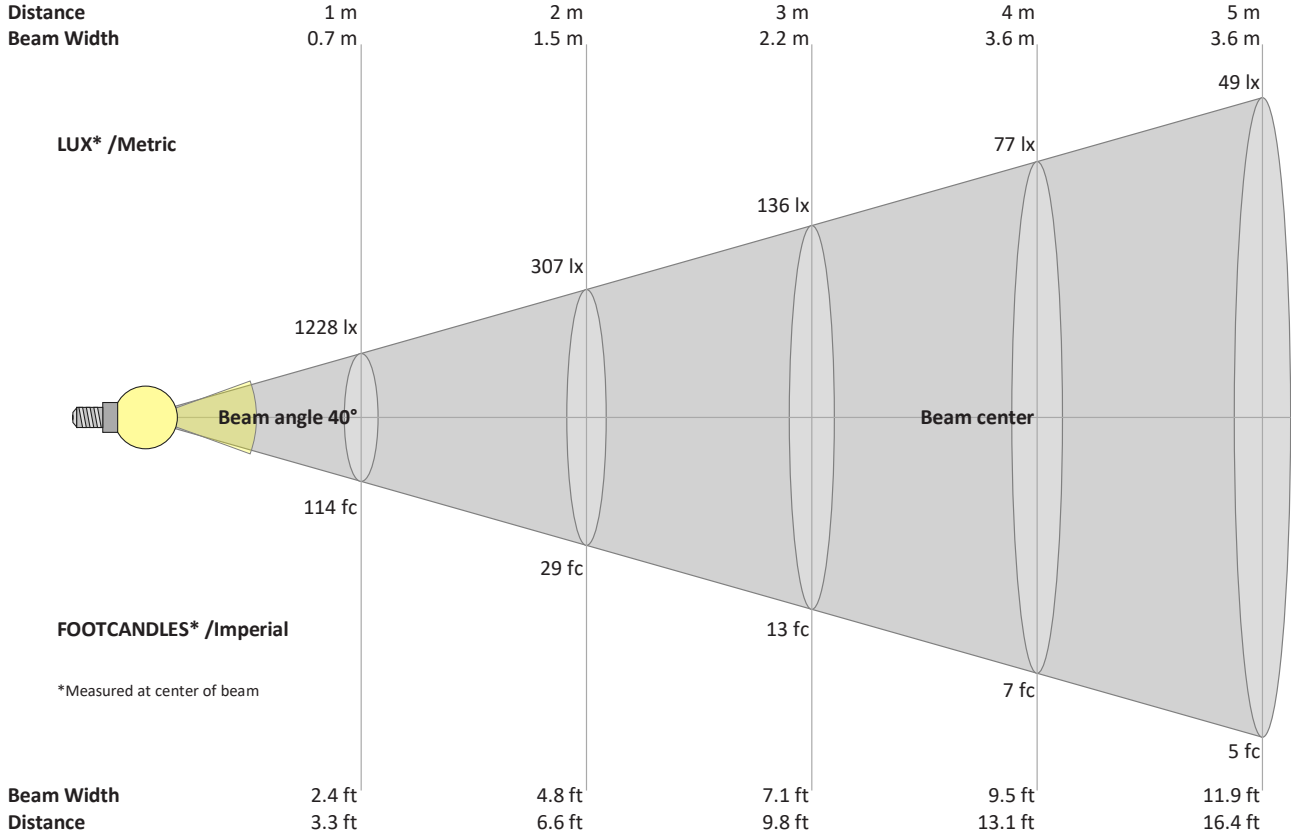
Q1	Q2	Q3	Q4	Q5	Q6	Q7	Q8	Q9	Q10	Q11	Q12	Q13	Q14	Q15
84.9	91.9	95.1	91.2	89.7	89.5	92.0	92.7	91.9	92.0	95.7	95.9	94.6	87.7	87.3

Light Measurement Report

Print date: 2023-01-06

Measurement date and time: 2023-01-06 11:03:54 AM – Measurement no. VFR-230106-0049-MS

Beam Details



Beam intensities from 1 – 20 m

1	2	3	4	5	6	7	8	9	10	11	12	13	14	15	16	17	18	19	20	m
3.3	6.6	9.8	13.1	16.4	19.7	23	26.2	29.5	32.8	36.1	39.4	42.7	45.9	49.2	52.5	55.8	59.1	62.3	65.6	ft
1228	307	136	77	49	34	25	19	15	12	10	9	7	6	5	5	4	4	3	3	lux
114	28.5	12.7	7.1	4.6	3.2	2.3	1.8	1.4	1.1	0.9	0.8	0.7	0.6	0.5	0.4	0.4	0.4	0.3	0.3	fc

Intensities in 0° c-plane

0°	2°	4°	6°	8°	10°	12°	14°	16°	18°	20°	22°	24°	26°	28°	30°	32°	34°	36°	38°	y
1228	1227	1206	1167	1117	1059	987	900	802	705	613	523	437	360	296	237	182	134	90	55	cd
100%	100%	98%	95%	91%	86%	80%	73%	65%	57%	50%	43%	36%	29%	24%	19%	15%	11%	7%	4%	of 0°val

Intensities in 90° c-plane

0°	2°	4°	6°	8°	10°	12°	14°	16°	18°	20°	22°	24°	26°	28°	30°	32°	34°	36°	38°	y
1228	1223	1204	1171	1120	1054	977	896	809	717	624	536	451	374	307	248	197	149	101	65	cd
100%	100%	98%	95%	91%	86%	80%	73%	66%	58%	51%	44%	37%	30%	25%	20%	16%	12%	8%	5%	of 0°val

Intensities in 180° c-plane

0°	2°	4°	6°	8°	10°	12°	14°	16°	18°	20°	22°	24°	26°	28°	30°	32°	34°	36°	38°	y
1228	1214	1195	1166	1119	1050	966	875	785	698	613	531	452	365	265	176	97	46	28	21	cd
100%	99%	97%	95%	91%	86%	79%	71%	64%	57%	50%	43%	37%	30%	22%	14%	8%	4%	2%	2%	of 0°val

Intensities in 270° c-plane

0°	2°	4°	6°	8°	10°	12°	14°	16°	18°	20°	22°	24°	26°	28°	30°	32°	34°	36°	38°	y
1228	1225	1211	1176	1126	1059	979	898	810	719	625	532	448	358	245	155	90	52	34	24	cd
100%	100%	99%	96%	92%	86%	80%	73%	66%	59%	51%	43%	37%	29%	20%	13%	7%	4%	3%	2%	of 0°val