



4" GIMBAL DIMMABLE RECESSED LED DOWNLIGHT 120V, 8W, 3CCT (3000K, 4000K, 5000K)

Specifications



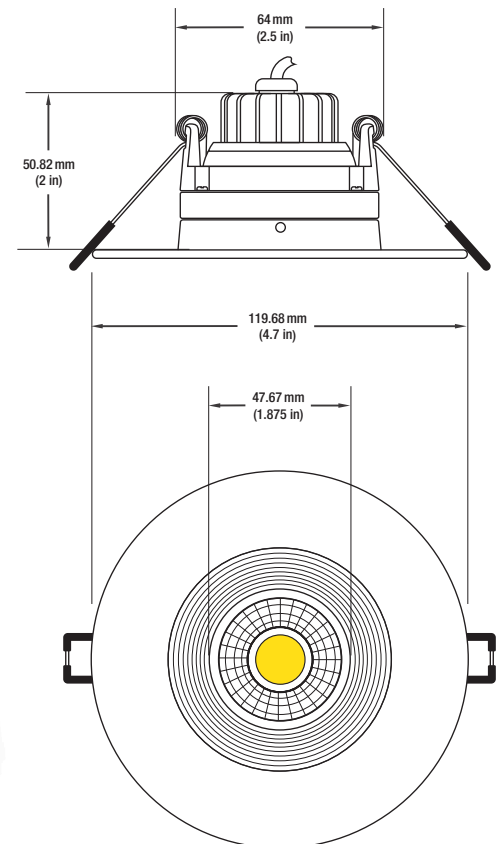
Model No.:	GL34-4
Input Voltage:	120V AC
Wattage:	8W
Frequency:	50-60Hz
Color Temperature:	Selectable 3CCT 3000K (Warm White) 4000K (Natural White) 5000K (Daylight)
Beam Angel:	40°
Body Color:	Black
Brightness:	800 Lumens
Dimmable:	Yes
Rendering Index:	CRI>90
LED Type:	Integrated COB LED
LED Driver:	IC Rated
IP Rated:	IP20 (Damp Locations)
LED Driver:	Included
Wire Length:	30cm (11.8") 22AWG
Dimensions:	Diameter: 119.6mm (4.7") Depth: 51mm (2")
Cut Size:	Ø 64mm (2.5")
J-Box Dimensions:	Length: 108.5mm (4.26") Width: 60mm (2.36") Height: 34.7mm (1.36")
Certification:	ETL



Changeable Color Temperature (CCT)

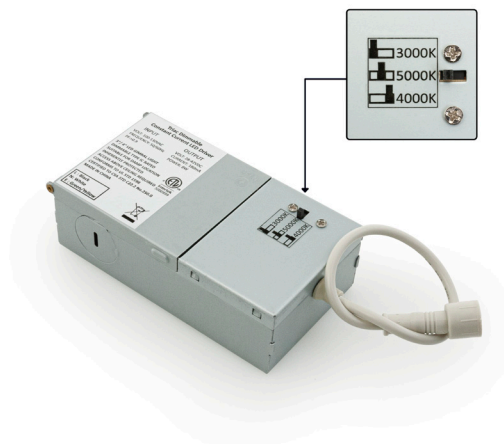


SKU: 666561424046



Features

- The GL34-4 LED Downlight/Ceiling Light is a versatile and high-quality lighting solution suitable for various indoor applications.
- It provides 800 lumens of brightness and a 40° beam angle with a selectable 3CCT color temperature ranging from warm white to daylight.
- This dimmable downlight has a high rendering index of CRI>90+ and an IC rated LED driver included.
- The downlight also features a universal gimbal with 40° tilting and 360° rotation, making it adjustable to any desired angle.
- It has an airtight rating and separate junction box, making it easy to install without requiring a housing can, thereby saving on cost.
- The die-casting heat sink ensures heat dissipation and a long lifespan of up to 50,000 hours.
- The product is certified for damp locations and is an excellent choice for both residential and commercial indoor spaces.



Disclaimer

The data and information contained in this specification sheet are subject to change without notice; the ratings supplied are provided based on the product manufacturer. The information contained in this specification sheet should not be considered a warranty, expressed or implied, including, but not limited to, a warranty of merchantability or fitness for a particular purpose. In no event shall LED Lights and Parts be liable for any incidental or consequential damages resulting from the use, misuse, or inability to use the product. This exclusion applies regardless of whether such damages are sought based on breach of warranty, breach of contract, negligence, strict liability in tort, or any other legal theory.



LED Lights and Parts

WORLD OF LED LIGHTS

Light efficiency:

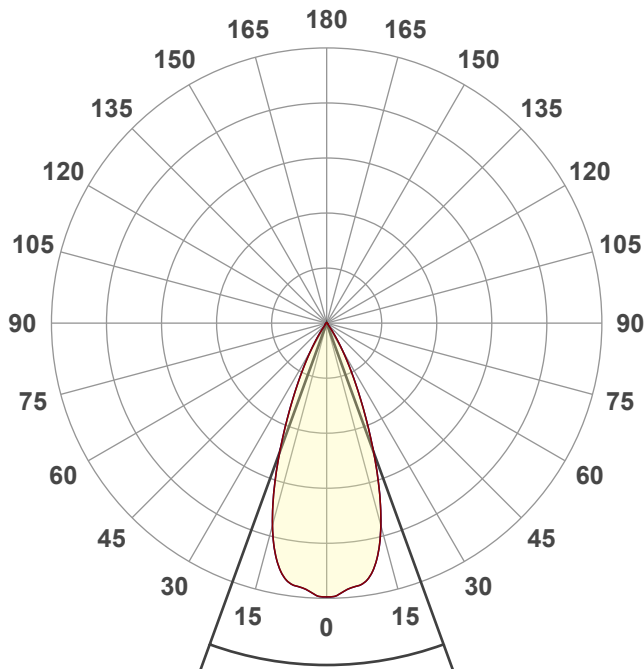
107 Lumen/Watt

Light quality:

CRI: 84.8

Color temperature:

3000 K



Beam angle

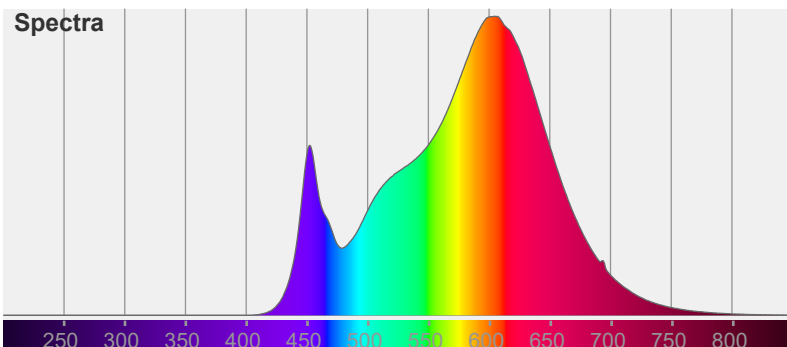
40°

Color



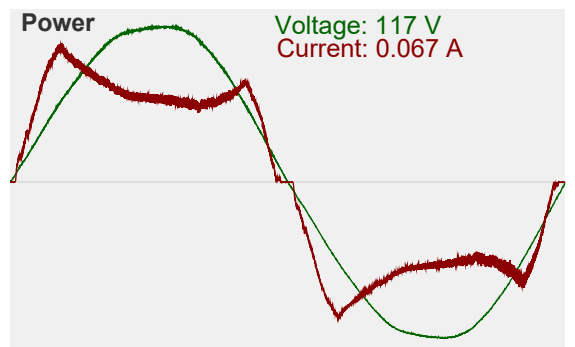
CIE1931
x: 0.433
y: 0.397

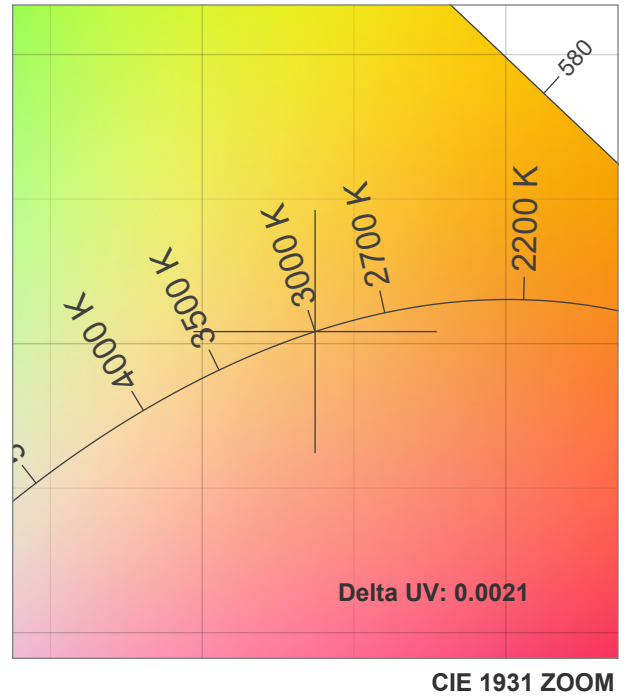
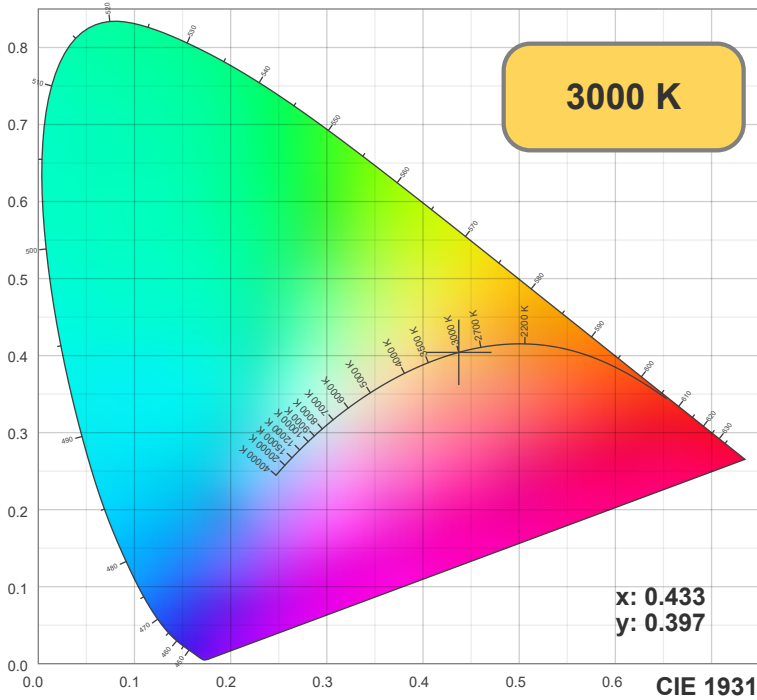
Spectra



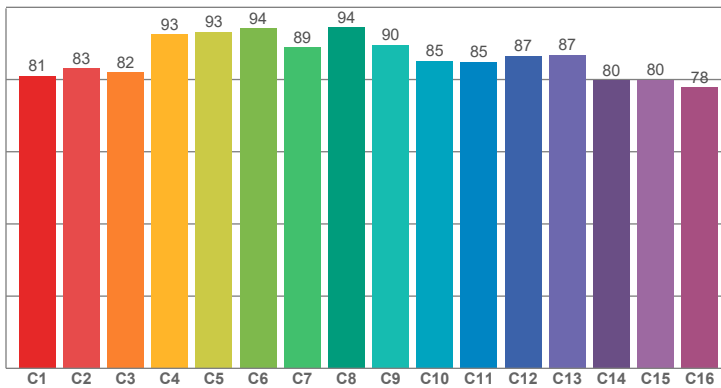
Power

Voltage: 117 V
Current: 0.067 A

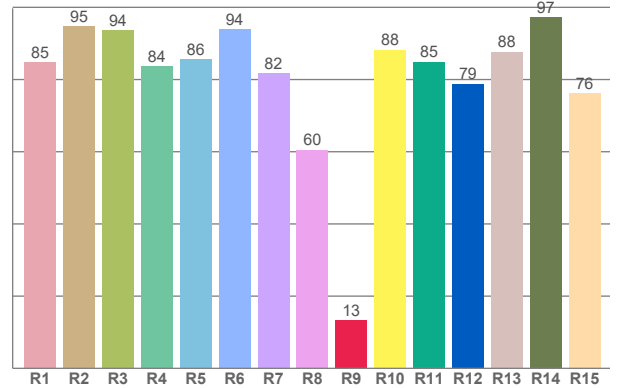




TM30: 86.4



CRI: 84.8 (R1-R8)



CRI R values, only R1-R8 are used to calculate final CRI value

R1	R2	R3	R4	R5	R6	R7	R8	R9	R10	R11	R12	R13	R14	R15
84.71	94.67	93.66	83.59	85.60	93.90	81.69	60.49	13.21	88.23	84.84	78.79	87.62	97.24	76.18

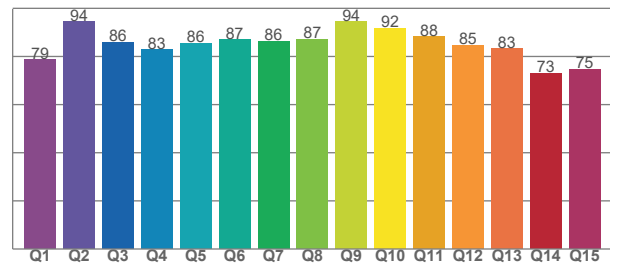
TM30 C values, 16 binned values out of total of 99 C values

C1	C2	C3	C4	C5	C6	C7	C8	C9	C10	C11	C12	C13	C14	C15	C16
81.04	83.15	81.94	92.52	93.18	94.10	88.90	94.41	89.55	85.13	84.94	86.50	86.87	79.82	79.94	77.86

CQS Q values

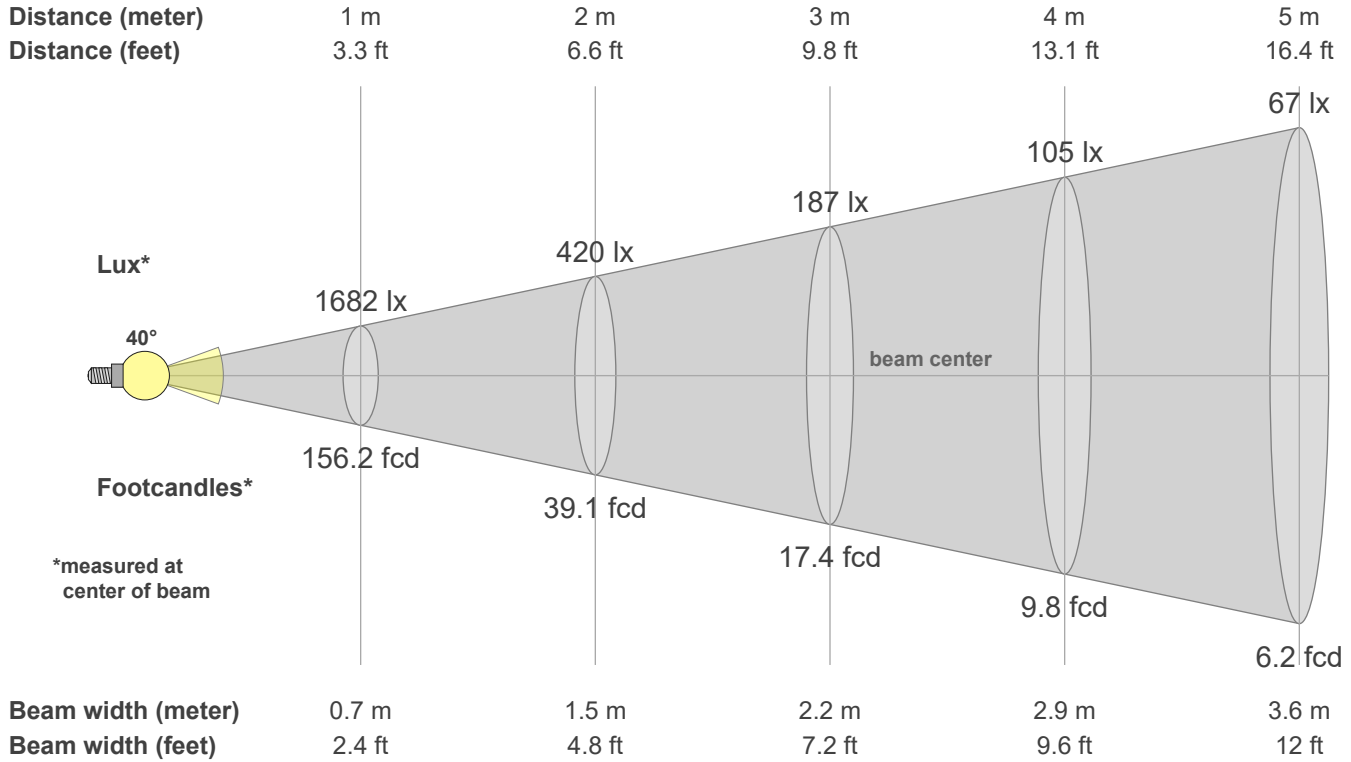
Q1	Q2	Q3	Q4	Q5	Q6	Q7	Q8	Q9	Q10	Q11	Q12	Q13	Q14	Q15
78.59	94.39	85.73	82.69	85.59	86.93	86.23	86.99	94.41	91.79	88.14	84.59	83.15	73.02	74.78

CQS: 83.8



Color parameters

CCT	CRI	CRI R9	TM30 Rf	TM30 Rg	CQS	x	y	u	v	Duv
3000 K	84.8	13.2	86.4	96.0	83.8	0.4	0.4	0.3	0.3	-0.0021



Intensities in 0° c-plane

0°	2°	4°	6°	8°	10°	12°	14°	16°	18°	20°	22°	24°	26°	28°	30°	32°	34°	36°	38°
1682	1675	1648	1630	1614	1567	1483	1359	1205	1030	845	669	514	387	283	196	131	81	46	28
100%	100%	98%	97%	96%	93%	88%	81%	72%	61%	50%	40%	31%	23%	17%	12%	8%	5%	3%	2%

Intensities in 90° c-plane

0°	2°	4°	6°	8°	10°	12°	14°	16°	18°	20°	22°	24°	26°	28°	30°	32°	34°	36°	38°
1682	1675	1648	1630	1614	1567	1483	1359	1205	1030	845	669	514	387	283	196	131	81	46	28
100%	100%	98%	97%	96%	93%	88%	81%	72%	61%	50%	40%	31%	23%	17%	12%	8%	5%	3%	2%

Intensities in 180° c-plane

0°	2°	4°	6°	8°	10°	12°	14°	16°	18°	20°	22°	24°	26°	28°	30°	32°	34°	36°	38°
1682	1675	1648	1630	1614	1567	1483	1359	1205	1030	845	669	514	387	283	196	131	81	46	28
100%	100%	98%	97%	96%	93%	88%	81%	72%	61%	50%	40%	31%	23%	17%	12%	8%	5%	3%	2%

Intensities in 270° c-plane

0°	2°	4°	6°	8°	10°	12°	14°	16°	18°	20°	22°	24°	26°	28°	30°	32°	34°	36°	38°
1682	1675	1648	1630	1614	1567	1483	1359	1205	1030	845	669	514	387	283	196	131	81	46	28
100%	100%	98%	97%	96%	93%	88%	81%	72%	61%	50%	40%	31%	23%	17%	12%	8%	5%	3%	2%

Beam angle 50%	Field angle 10%	Cutoff angle 2.5%	Intensity ratio in 120° cone	Intensity ratio in 90° cone
40.1°	61.6°	72.8°	99.0%	97.6%