

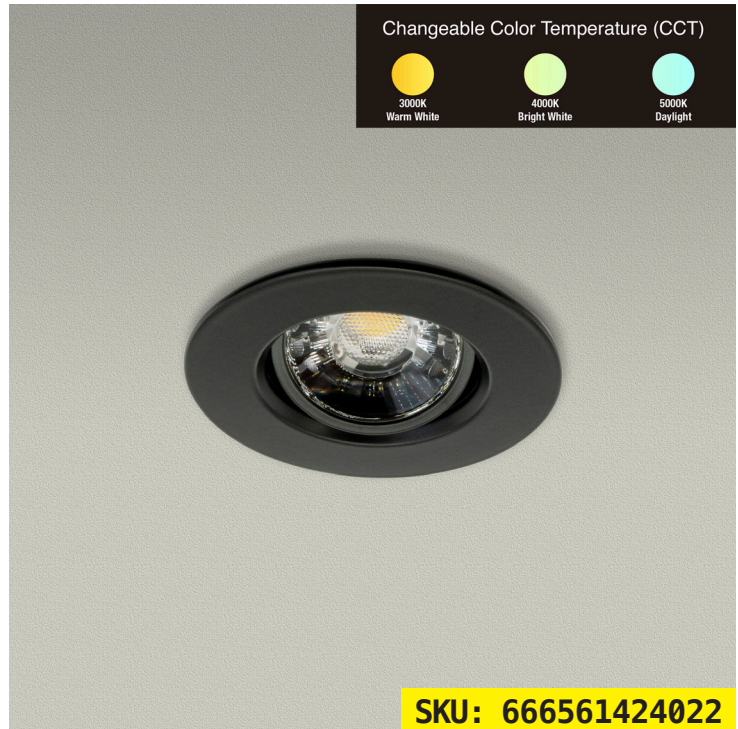


3" ROUND RECESSED GIMBAL DOWNLIGHT 120V, 8W, SELECTABLE COLOR TEMPERATURE (3CCT)

Specifications

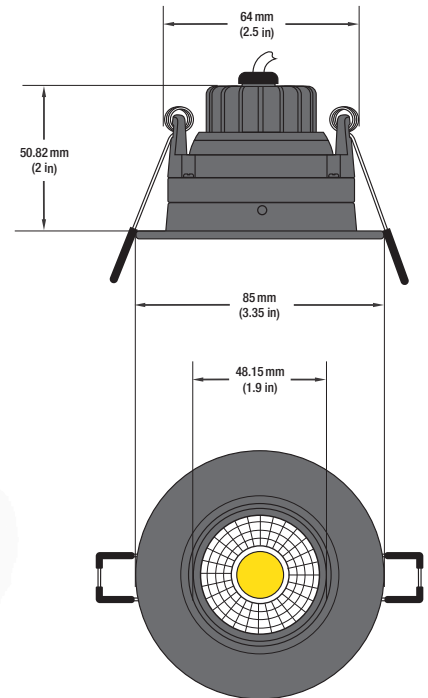


Model No.:	GL34-3
Input Voltage:	120V AC
Wattage:	8W
Frequency:	50-60Hz
Color Temperature:	Selectable 3CCT, 3000K (Warm White) 4000K (Natural White), 5000K (Daylight)
Beam Angel:	40°
Body Color:	Black
Brightness:	730 Lumens
Dimmable:	Yes
Rendering Index:	CRI>90
LED Type:	Integrated COB LED
LED Driver:	IC Rated
IP Rated:	IP20 (Damp Locations)
LED Driver:	Included
Wire Length:	30cm (11.8") 22AWG
Dimensions:	Diameter: Ø 85mm (3.35") Depth: 51mm (2")
Cut Size:	Ø 64mm (2.5")
J-Box Dimensions:	Length: 108.5mm (4.26") Width: 60mm (2.36") Height: 34.7mm (1.36")
Certification:	ETL



Features

- This downlight works in various indoor applications. It has universal ceiling applications with its adjusting angle feature.
- Recessed lighting is suitable for both dry and damp environments. The temperature of the light can be adjusted to the desired application from the junction box DIP switch.
- Selectable color Temperature option 3000K-4000K-5000K from the junction box. No additional LED driver is needed.
- Well suited for both residential and commercial indoor spaces.



Disclaimer

The data and information contained in this specification sheet are subject to change without notice; the ratings supplied are provided based on the product manufacturer. The information contained in this specification sheet should not be considered a warranty, expressed or implied, including, but not limited to, a warranty of merchantability or fitness for a particular purpose. In no event shall LED Lights and Parts be liable for any incidental or consequential damages resulting from the use, misuse, or inability to use the product. This exclusion applies regardless of whether such damages are sought based on breach of warranty, breach of contract, negligence, strict liability in tort, or any other legal theory.



LED Lights and Parts

WORLD OF LED LIGHTS

Light efficiency:

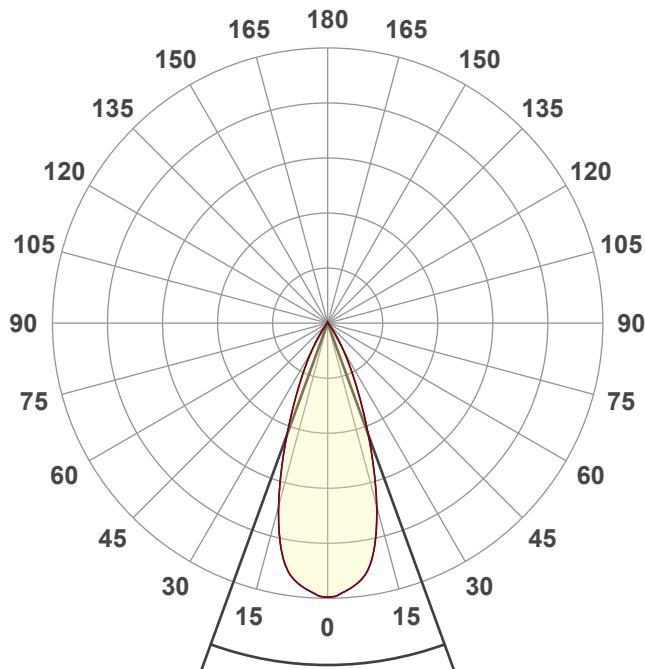
108 Lumen/Watt

Light quality:

CRI: 83.7

Color temperature:

3000 K



Beam angle

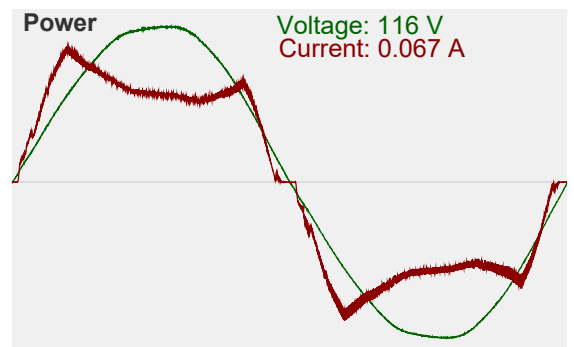
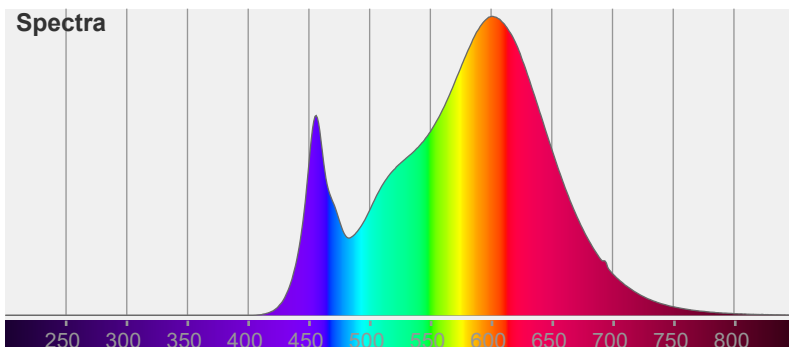
40°

Color

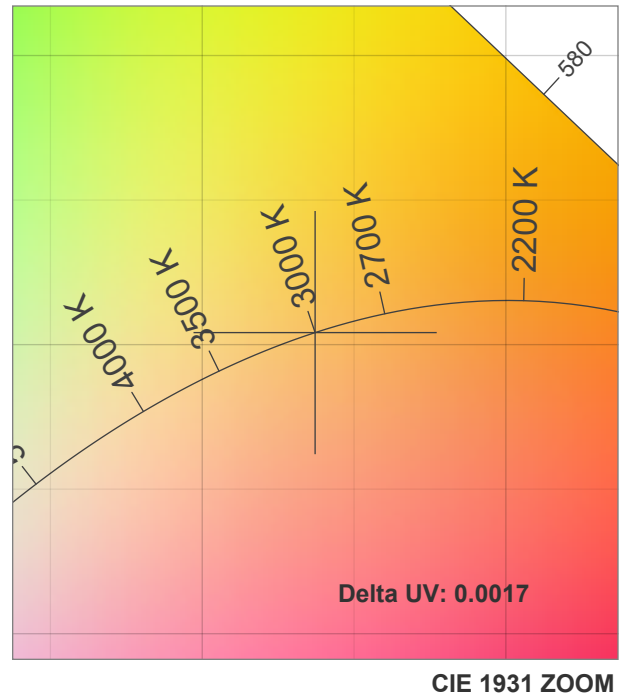
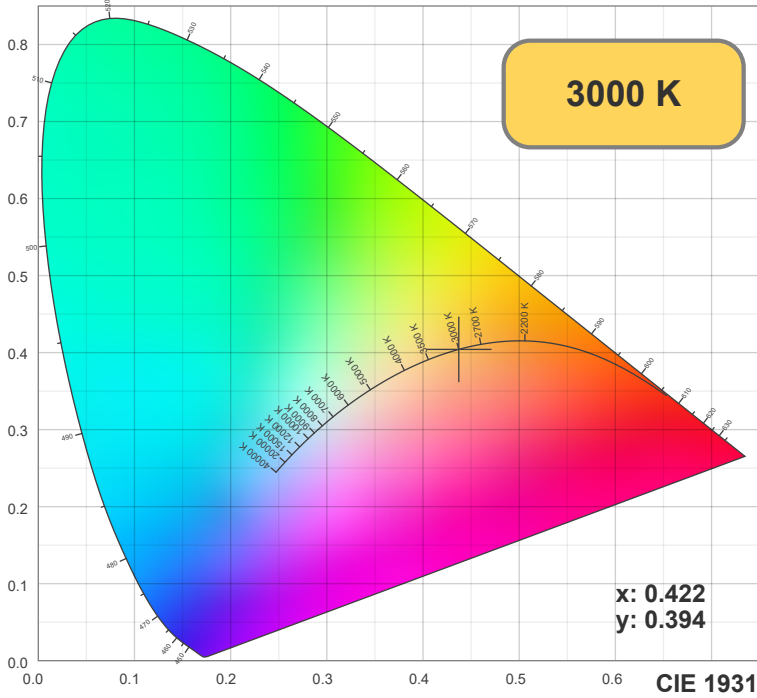


CIE1931
x: 0.422
y: 0.394

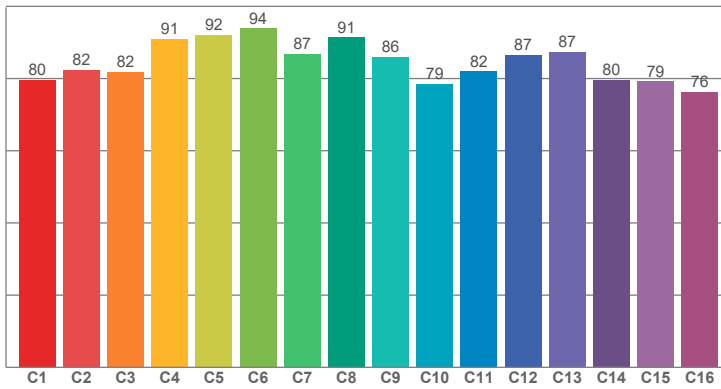
Spectra



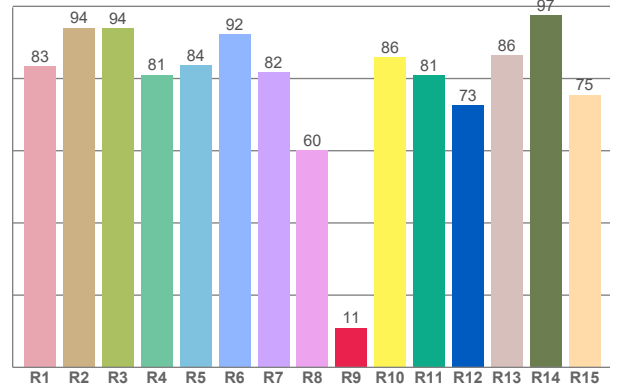
Light measurement was created using the Viso Systems - Light Inspector. www.visosystems.com



TM30: 84.7



CRI: 83.7 (R1-R8)



CRI R values, only R1-R8 are used to calculate final CRI value

R1	R2	R3	R4	R5	R6	R7	R8	R9	R10	R11	R12	R13	R14	R15
83.34	94.00	93.92	81.03	83.61	92.24	81.70	60.15	10.90	85.92	80.84	72.55	86.42	97.46	75.50

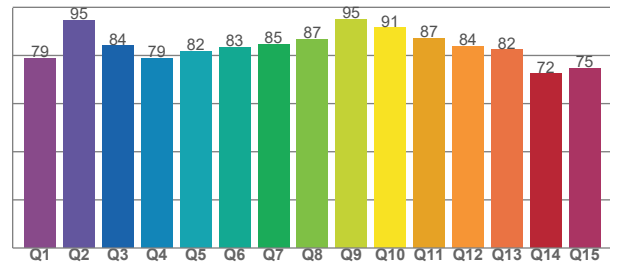
TM30 C values, 16 binned values out of total of 99 C values

C1	C2	C3	C4	C5	C6	C7	C8	C9	C10	C11	C12	C13	C14	C15	C16
79.59	82.37	81.80	91.02	92.06	93.97	86.82	91.34	86.05	78.51	81.97	86.52	87.35	79.62	79.25	76.31

CQS Q values

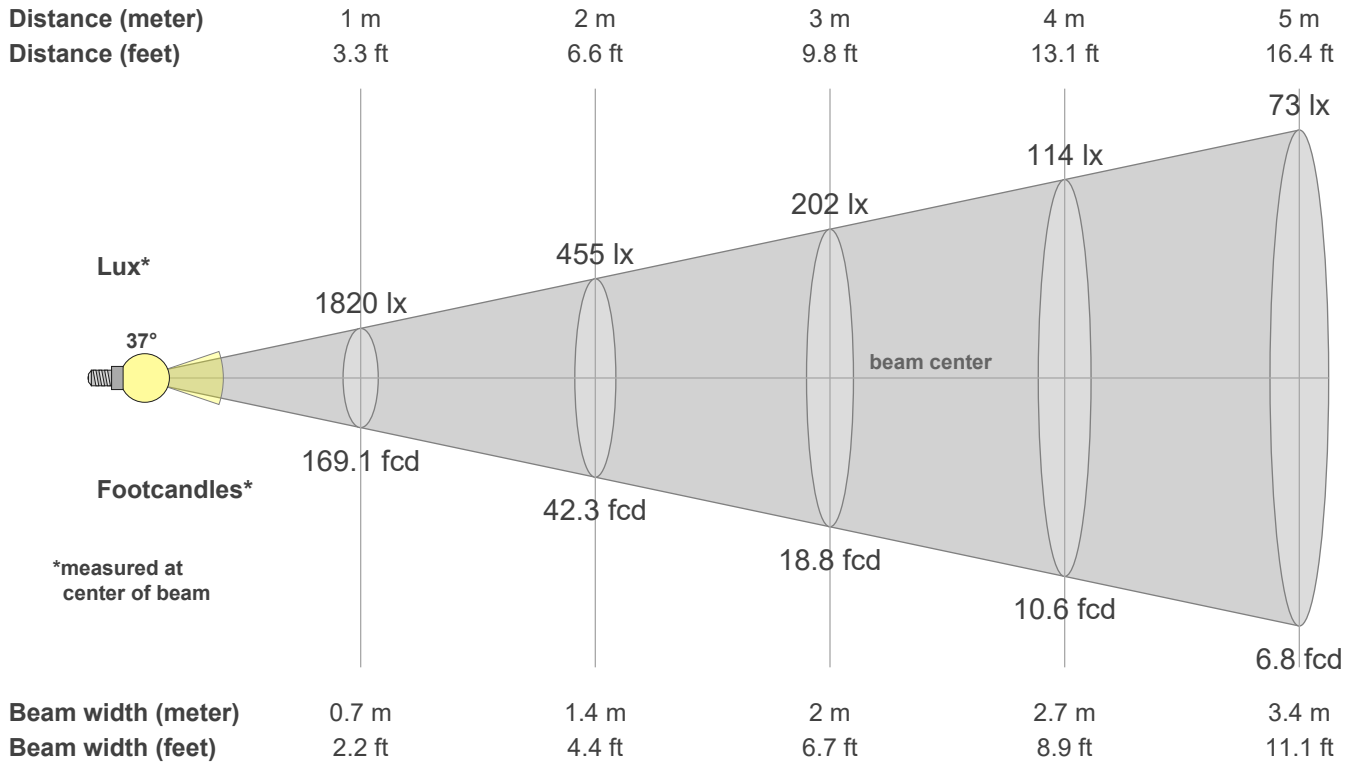
Q1	Q2	Q3	Q4	Q5	Q6	Q7	Q8	Q9	Q10	Q11	Q12	Q13	Q14	Q15
78.65	94.51	84.03	78.76	81.66	83.49	84.62	86.77	95.14	91.42	87.01	83.66	82.38	72.32	74.56

CQS: 82.6



Color parameters

CCT	CRI	CRI R9	TM30 Rf	TM30 Rg	CQS	x	y	u	v	Duv
3000 K	83.7	10.9	84.7	94.5	82.6	0.4	0.4	0.3	0.3	-0.0017



Intensities in 0° c-plane

0°	2°	4°	6°	8°	10°	12°	14°	16°	18°	20°	22°	24°	26°	28°	30°	32°	34°	36°	38°
1820	1811	1784	1752	1705	1628	1507	1347	1166	975	792	629	491	380	288	212	150	102	65	41
100%	100%	98%	96%	94%	89%	83%	74%	64%	54%	44%	35%	27%	21%	16%	12%	8%	6%	4%	2%

Intensities in 90° c-plane

0°	2°	4°	6°	8°	10°	12°	14°	16°	18°	20°	22°	24°	26°	28°	30°	32°	34°	36°	38°
1820	1811	1784	1752	1705	1628	1507	1347	1166	975	792	629	491	380	288	212	150	102	65	41
100%	100%	98%	96%	94%	89%	83%	74%	64%	54%	44%	35%	27%	21%	16%	12%	8%	6%	4%	2%

Intensities in 180° c-plane

0°	2°	4°	6°	8°	10°	12°	14°	16°	18°	20°	22°	24°	26°	28°	30°	32°	34°	36°	38°
1820	1811	1784	1752	1705	1628	1507	1347	1166	975	792	629	491	380	288	212	150	102	65	41
100%	100%	98%	96%	94%	89%	83%	74%	64%	54%	44%	35%	27%	21%	16%	12%	8%	6%	4%	2%

Intensities in 270° c-plane

0°	2°	4°	6°	8°	10°	12°	14°	16°	18°	20°	22°	24°	26°	28°	30°	32°	34°	36°	38°
1820	1811	1784	1752	1705	1628	1507	1347	1166	975	792	629	491	380	288	212	150	102	65	41
100%	100%	98%	96%	94%	89%	83%	74%	64%	54%	44%	35%	27%	21%	16%	12%	8%	6%	4%	2%

Beam angle 50%	Field angle 10%	Cutoff angle 2.5%	Intensity ratio in 120° cone	Intensity ratio in 90° cone
37.4°	61.8°	75.1°	98.8%	97.3%