

## Model: VBD-012-100VTSP

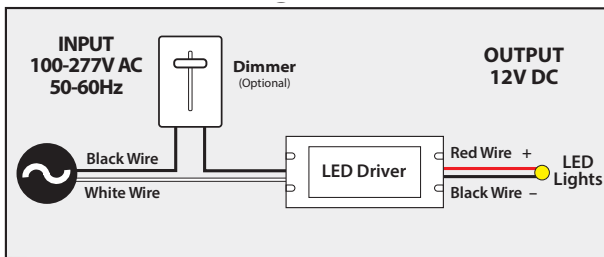
<b>Input Voltage:</b>	100 – 277V AC
<b>Input Current at Max Load:</b>	1.4 A
<b>Frequency:</b>	50-60 Hz
<b>Output Voltage:</b>	12V DC
<b>Output Current:</b>	8.33 A
<b>Max Power:</b>	100W
<b>Dimensions L x W x H:</b>	330mm x 30mm x 22mm
<b>Class Certification:</b>	Class P/ Type HL
<b>Weight:</b>	0.294 kg
<b>IP Rating:</b>	IP20 (Dry, and Damp Locations)
<b>Dimmable:</b>	Triac/ Phase-cut Dimming
<b>Wiring/Housing:</b>	Hardwire
<b>Operating Temperature:</b>	at least 90°C
<b>Standards:</b>	FC/UL/RoHS

Job Name: \_\_\_\_\_

Distributor: \_\_\_\_\_

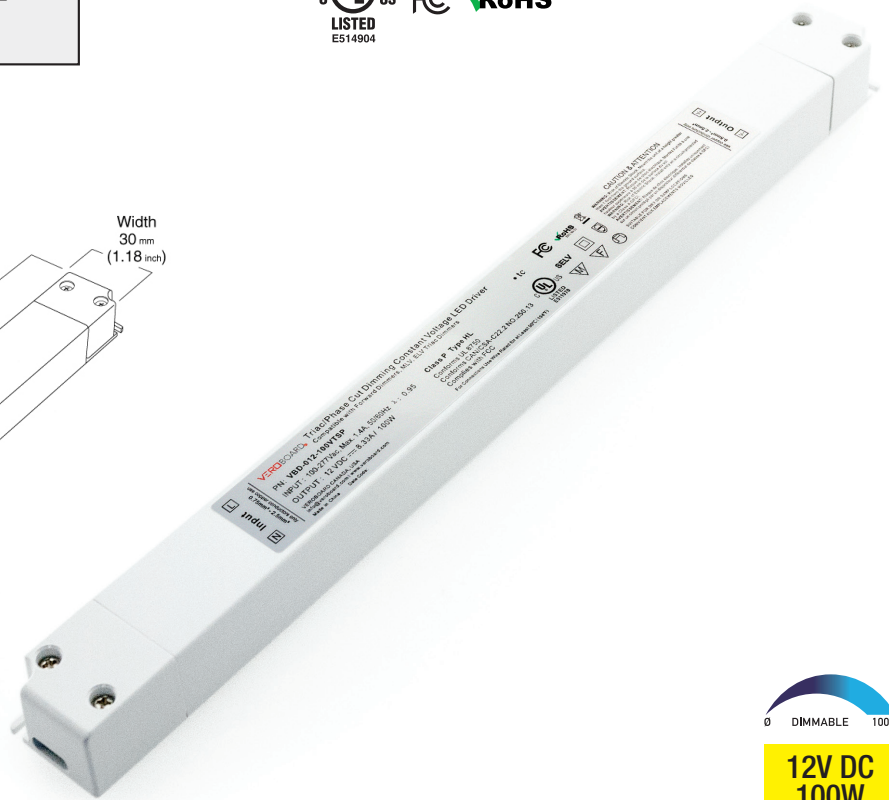
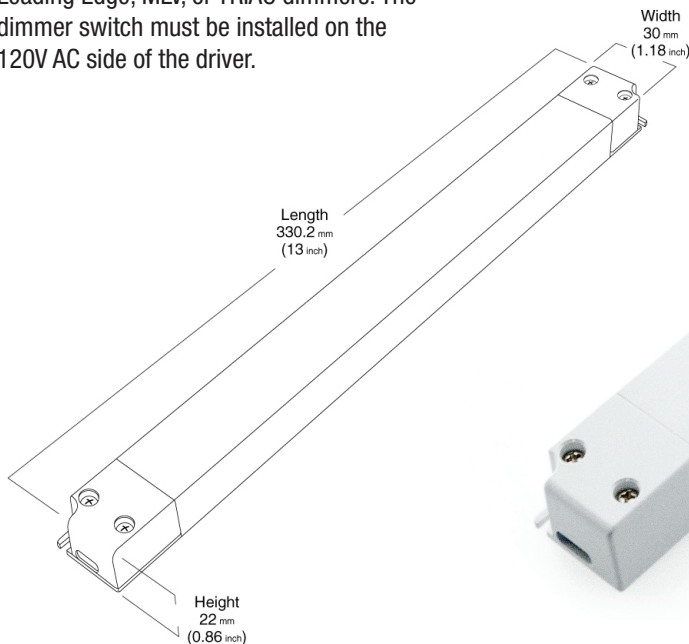
Type: \_\_\_\_\_

### Installation Diagram



### Dimming

Veroboard Phase Cut Dimming Constant Voltage LED drivers work with any standard Leading Edge, MLV, or TRIAC dimmers. The dimmer switch must be installed on the 120V AC side of the driver.



**12V DC**  
**100W**  
**CLASS 2**

**SKU: 666561419776**