

Model: VBD-012-060VTSP

Input Voltage:	100 – 277V AC
Input Current at Max Load:	0.9 A
Frequency:	50-60 Hz
Output Voltage:	12V DC
Output Current:	5 A
Max Power:	60 W
Dimensions L x W x H:	300 mm x 31 mm x 19 mm
Class Certification:	Class 2/ Class P/ Type HL
Weight:	0.224 kg
IP Rating:	IP20 (Dry, and Damp Locations)
Dimmable:	Triac/ Phase-cut Dimming
Wiring/Housing:	Hardwire
Operating Temperature:	at least 90°C
Standards:	FC/UL/RoHS

ORDER INFORMATION

Please fill out the below interactive form and press the **SUBMIT** button to send it electronically.

Name: _____

Project Name: _____

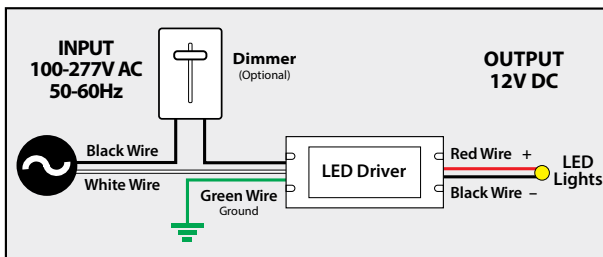
Email: _____

Phone: _____

Quantity: _____

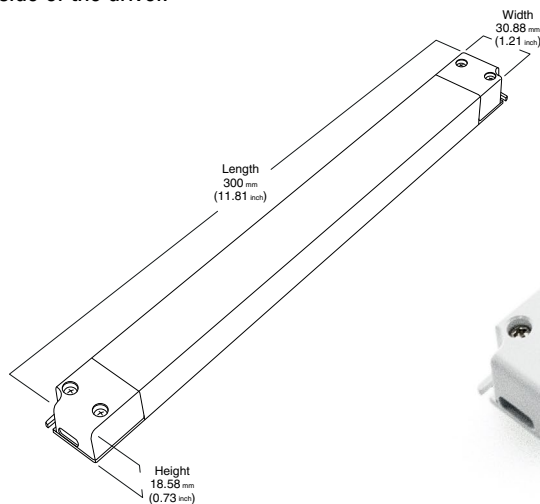
Notes: _____

Installation Diagram



Dimming

Veroboard Phase Cut Dimming Constant Voltage LED drivers work with any standard Leading Edge, MLV, or TRIAC dimmers. The dimmer switch must be installed on the 120V AC side of the driver.



SKU: 666561419752