



# WALL LIGHT UP DOWN CYLINDRICAL 100-277V, 30W, 3000K (WARM WHITE)

## Specifications



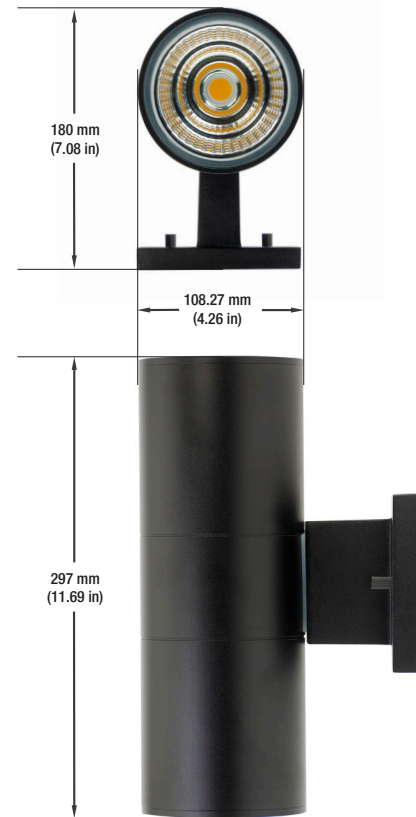
<b>Model:</b>	PL-UPD-COB15M-2
<b>Input Voltage:</b>	100-277V AC
<b>Wattage:</b>	30W (2x15W)
<b>Input Current:</b>	0.30A
<b>Brightness:</b>	2400Lm (80Lm/W)
<b>Color Temperatures:</b>	3000K (Warm White)
<b>Beam Angle:</b>	45°
<b>Body Color:</b>	Black
<b>IP Rating:</b>	IP65 (Suitable for wet locations)
<b>IP Rating:</b>	250mm (9.8") 3 x 18AWG
<b>Dimensions:</b>	108.27mm x 297mm x 180mm (4.26" x 11.69" x 7.08")
<b>Dimensions (Mounting Base):</b>	115mm x 115mm (4.5" x 4.5")
<b>Certification:</b>	ETL



**SKU#: 666561417918**

## Features

- The warm white (3000K) color of the light provides a cozy and comfortable atmosphere.
- The fixture has integrated long-lasting LED lights that help in avoiding the hassle of regular replacement of bulbs.
- These wall lights look perfect to the entryway, porch, door jambs, landscaped decks, balconies, lawns, pathways, exterior stairs, etc.
- Has a lifespan of a minimum of 50,000 hours.
- Dissipates very less heat and is safe to touch.
- Discrete cylinder with minimal mounting hardware.
- The anodized internal reflectors are designed in the lamp to help direct the light beam in a specific direction, increase the surface illumination.
- This cylindrical wall light is perfect for your home décor as it gives a modernized look with its pleasant aesthetics and a warm glow of light.
- With an IP65 rating, they are suitable for wet locations and can be used in outdoor applications.



## Disclaimer

The data and information contained in this specification sheet are subject to change without notice; the ratings supplied are provided based on the product manufacturer. The information contained in this specification sheet should not be considered a warranty, expressed or implied, including, but not limited to, a warranty of merchantability or fitness for a particular purpose. In no event shall LED Lights and Parts be liable for any incidental or consequential damages resulting from the use, misuse, or inability to use the product. This exclusion applies regardless of whether such damages are sought based on breach of warranty, breach of contract, negligence, strict liability in tort, or any other legal theory.