



FB3BG0318

LANDSCAPE LED LIGHT, 24V 6W RGB

Specifications

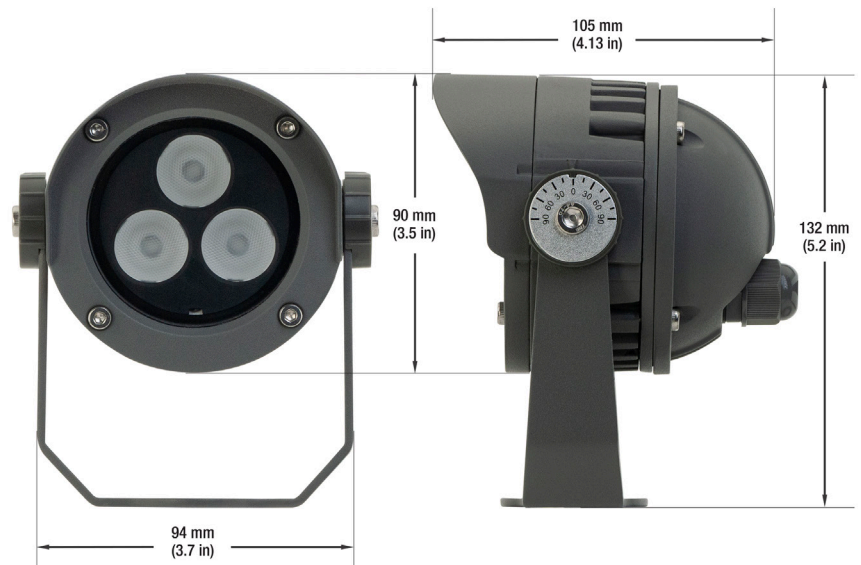
Model No.:	FB3BG0318
Input Voltage:	24V DC
Wattage:	6W
Color:	RGB
Light Source:	3 x 2W LEDs
Body Color:	Dark Grey
Beam Angle:	30°
Rotation Capability:	360° Horizontal, 180° Diagonal
IK Rating:	IK07
IP Rating:	IP65 (Suitable for wet locations)
Cable Size:	Length: 1 meters (3.2 ft), Ø 7.5mm (0.29 in)
Dimensions:	Ø 90 x 105 x 132 mm (3.5 x 4.13 x 5.2 in)
Certification:	CE



SKU: 666561417239

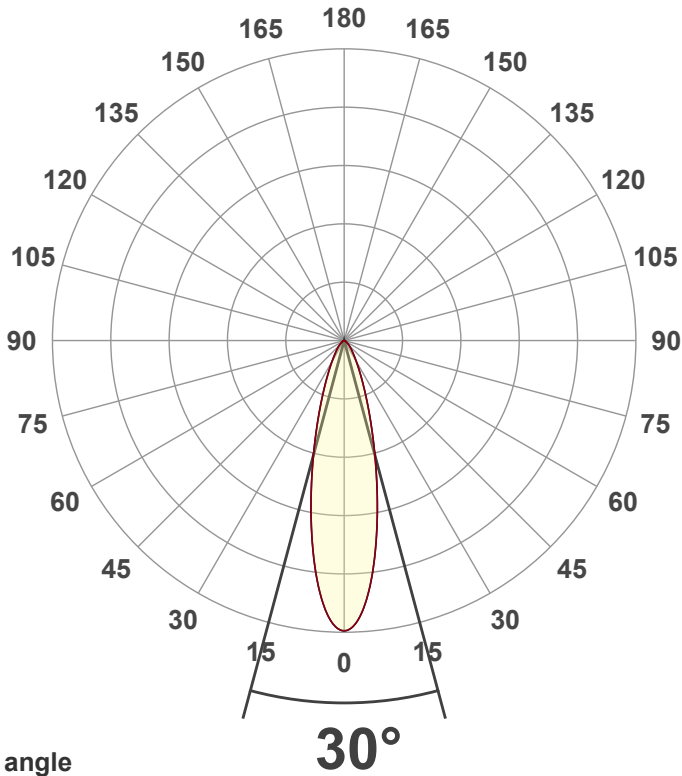
Features

- This RGB lighting fixture provides excellent illumination for landscapes and exteriors, featuring a 360° horizontal rotation and 180° diagonal rotation for optimal adjustability.
- Ideal for various special applications, such as illuminating small trees, statues, building exteriors, etc.
- This product comes with a two-year warranty.

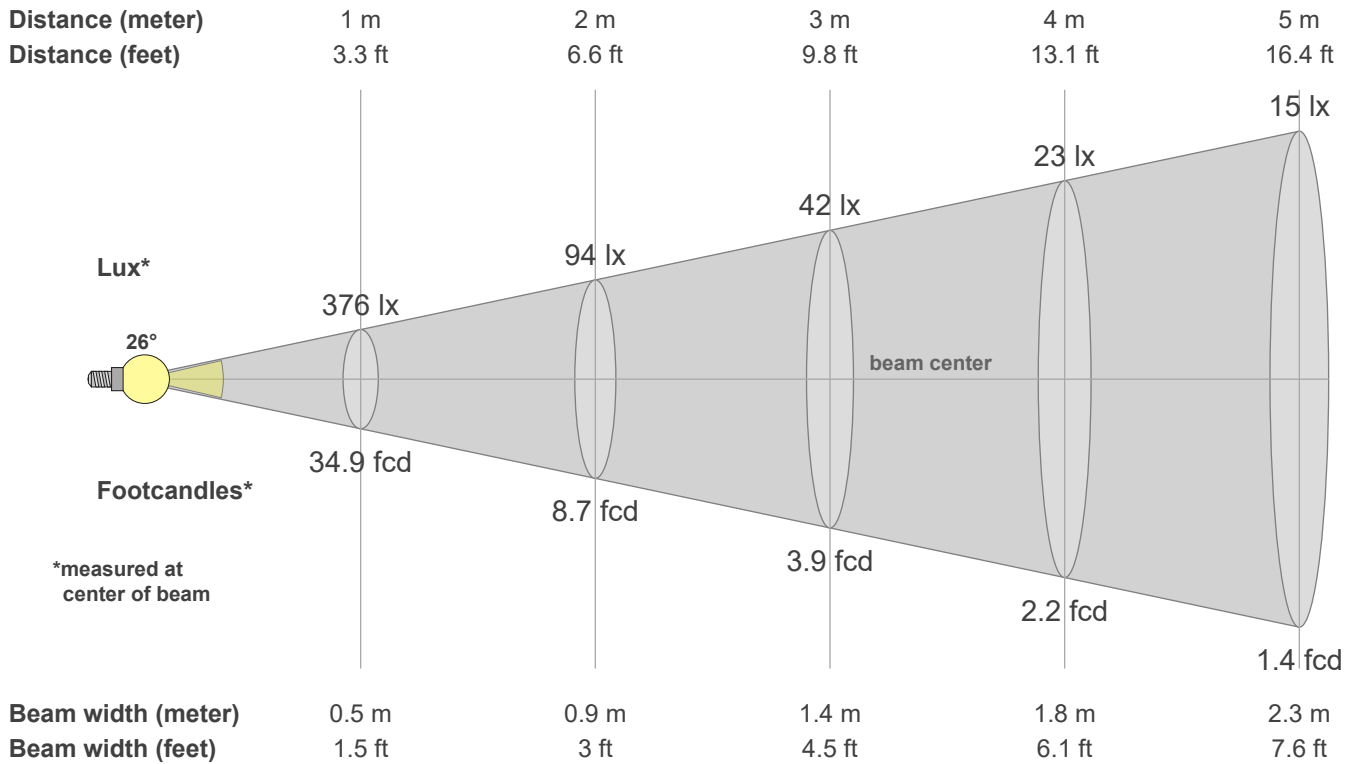


Disclaimer

The data and information contained in this specification sheet are subject to change without notice; the ratings supplied are provided based on the product manufacturer. The information contained in this specification sheet should not be considered a warranty, expressed or implied, including, but not limited to, a warranty of merchantability or fitness for a particular purpose. In no event shall LED Lights and Parts be liable for any incidental or consequential damages resulting from the use, misuse, or inability to use the product. This exclusion applies regardless of whether such damages are sought based on breach of warranty, breach of contract, negligence, strict liability in tort, or any other legal theory.



Beam angle





Intensities in 0° c-plane

0°	2°	4°	6°	8°	10°	12°	14°	16°	18°	20°	22°	24°	26°	28°	30°	32°	34°	36°	38°
376	369	350	320	284	245	206	170	139	112	90	72	58	47	38	32	26	22	18	16
100%	98%	93%	85%	75%	65%	55%	45%	37%	30%	24%	19%	15%	13%	10%	8%	7%	6%	5%	4%

Intensities in 90° c-plane

0°	2°	4°	6°	8°	10°	12°	14°	16°	18°	20°	22°	24°	26°	28°	30°	32°	34°	36°	38°
376	369	350	320	284	245	206	170	139	112	90	72	58	47	38	32	26	22	18	16
100%	98%	93%	85%	75%	65%	55%	45%	37%	30%	24%	19%	15%	13%	10%	8%	7%	6%	5%	4%

Intensities in 180° c-plane

0°	2°	4°	6°	8°	10°	12°	14°	16°	18°	20°	22°	24°	26°	28°	30°	32°	34°	36°	38°
376	369	350	320	284	245	206	170	139	112	90	72	58	47	38	32	26	22	18	16
100%	98%	93%	85%	75%	65%	55%	45%	37%	30%	24%	19%	15%	13%	10%	8%	7%	6%	5%	4%

Intensities in 270° c-plane

0°	2°	4°	6°	8°	10°	12°	14°	16°	18°	20°	22°	24°	26°	28°	30°	32°	34°	36°	38°
376	369	350	320	284	245	206	170	139	112	90	72	58	47	38	32	26	22	18	16
100%	98%	93%	85%	75%	65%	55%	45%	37%	30%	24%	19%	15%	13%	10%	8%	7%	6%	5%	4%

Beam angle 50%	Field angle 10%	Cutoff angle 2.5%	Intensity ratio in 120° cone	Intensity ratio in 90° cone
26.0°	56.4°	89.1°	99.2%	94.3%