



HORIZONTAL AND VERTICAL STEP LIGHT 120V, 2.5W, 3000K (WARM WHITE)

Specifications



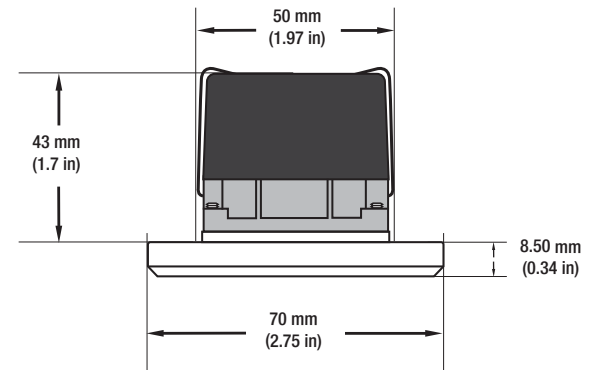
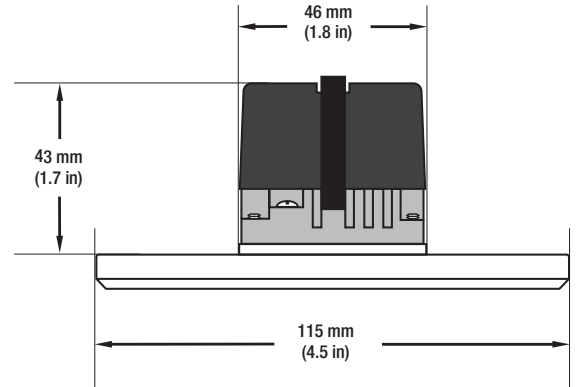
| | |
|---------------------------------|---|
| Model No.: | ST-1025-WH |
| Input Voltage: | 120V DC |
| Wattage: | 2.5W |
| Available Other Colors: | Black, Brushed Nickel |
| Color Temperatures: | 3000K (Warm White) |
| Brightness: | 25 Lumens |
| Beam Angle: | 100° |
| IP Rating: | IP65 (Outdoor Rated) |
| Rendering Index: | CRI>80 |
| Dimmable: | No |
| Dimensions: | 115mm x 70mm x 43mm (4.5" x 2.75" x 1.7") |
| Dimensions (Outlet Box): | 52mm x 102mm x 54mm (2" x 4" x 2.12") |
| Certification: | ETL |



SKU#: 666561416560

Features

- Outdoor-rated lighting solution designed to illuminate pathways and steps.
- Power consumption of 2.5W and emits warm white light with a color temperature of 3000K.
- Available in black, white, and brushed nickel surface finish.
- Brightness of 25Lm and a high color rendering index (CRI) of over 80, ensuring natural and vibrant colors.
- Housing made of durable materials, resistant to damage from environmental factors such as moisture and dust.
- IP65 rated, suitable for use in wet locations without risk of water damage.
- Trim of the light can be rotated 90 degrees to change the orientation based on the desired project whether horizontal installation or vertical certified by ETL, ensuring it meets safety and performance standards Not dimmable Suitable for direct connection to the line without the need for a transformer, with a voltage of 120V AC Ideal for use in gardens, patios, and other outdoor areas.



Disclaimer

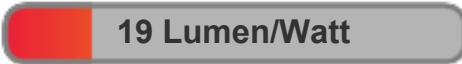
The data and information contained in this specification sheet are subject to change without notice; the ratings supplied are provided based on the product manufacturer. The information contained in this specification sheet should not be considered a warranty, expressed or implied, including, but not limited to, a warranty of merchantability or fitness for a particular purpose. In no event shall LED Lights and Parts be liable for any incidental or consequential damages resulting from the use, misuse, or inability to use the product. This exclusion applies regardless of whether such damages are sought based on breach of warranty, breach of contract, negligence, strict liability in tort, or any other legal theory.



LED Lights and Parts

WORLD OF LED LIGHTS

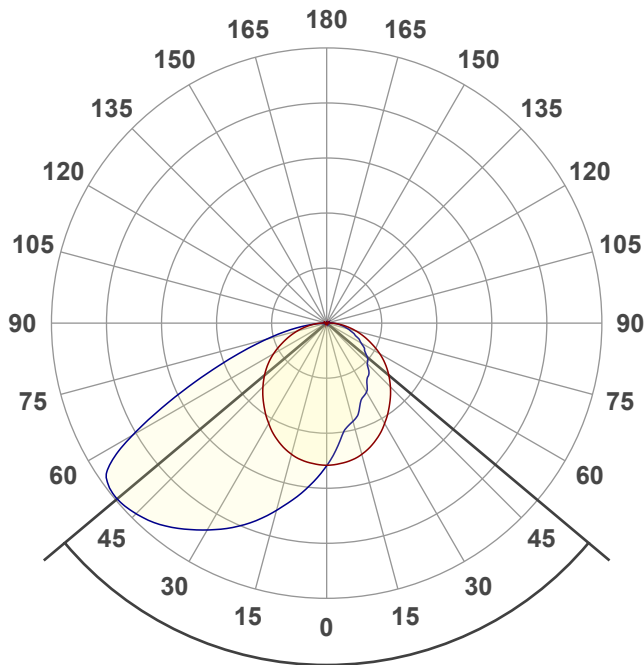
Light efficiency:



Light quality:



Color temperature:



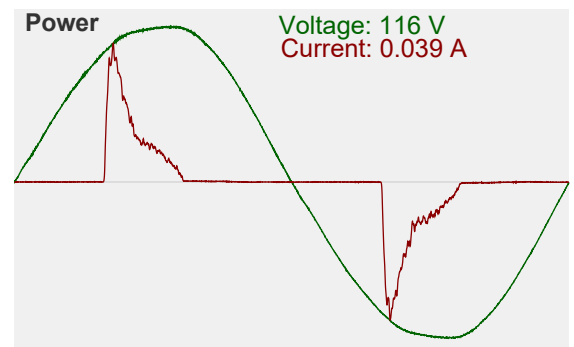
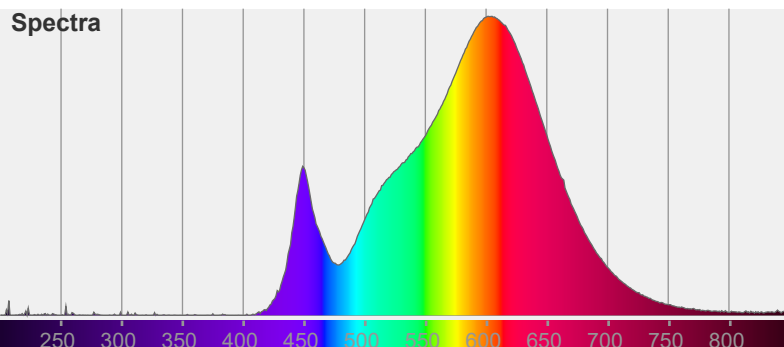
Beam angle

100°

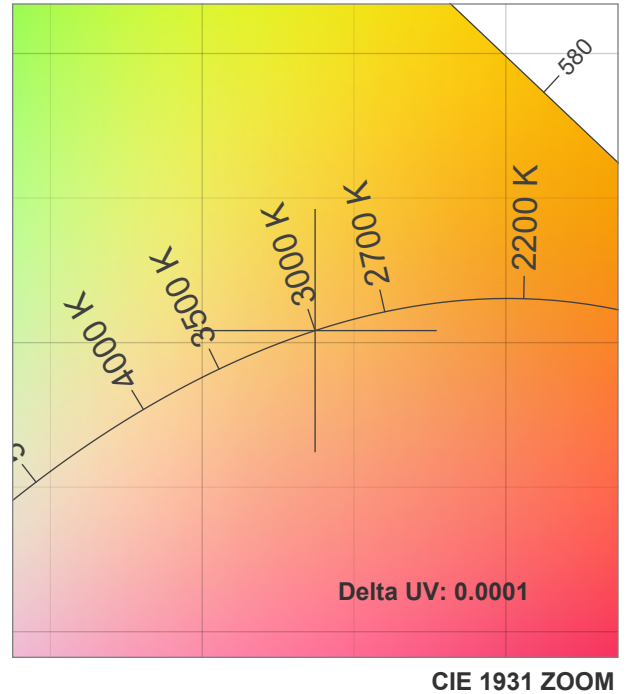
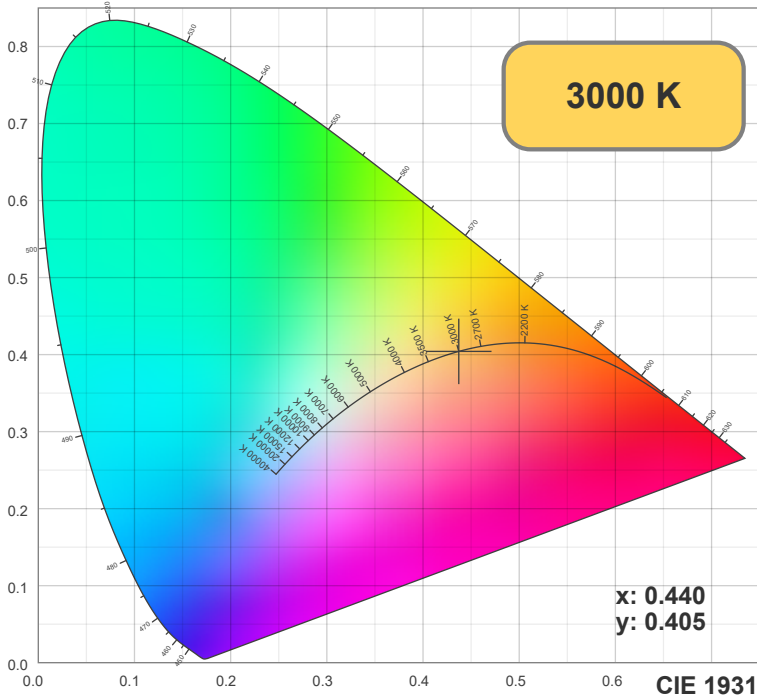
Color



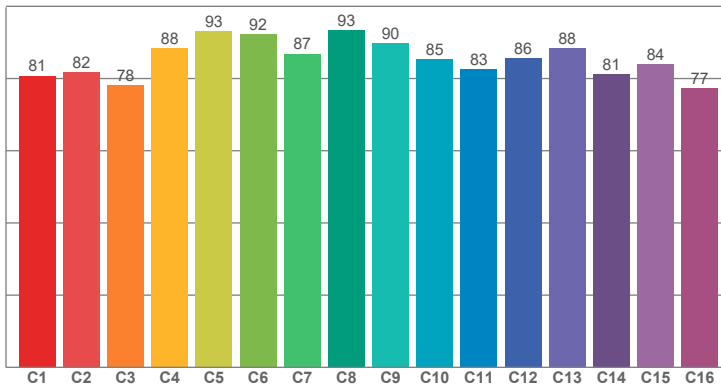
CIE1931
x: 0.440
y: 0.405



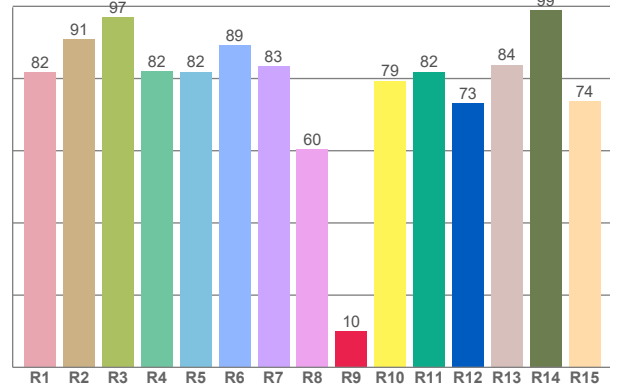
Light measurement was created using the Viso Systems - Light Inspector. www.visosystems.com



TM30: 85.3



CRI: 83.3 (R1-R8)



CRI R values, only R1-R8 are used to calculate final CRI value

| R1 | R2 | R3 | R4 | R5 | R6 | R7 | R8 | R9 | R10 | R11 | R12 | R13 | R14 | R15 |
|-------|-------|-------|-------|-------|-------|-------|-------|------|-------|-------|-------|-------|-------|-------|
| 81.63 | 90.88 | 96.92 | 81.97 | 81.79 | 89.20 | 83.38 | 60.32 | 9.98 | 79.40 | 81.79 | 73.19 | 83.81 | 98.86 | 73.63 |

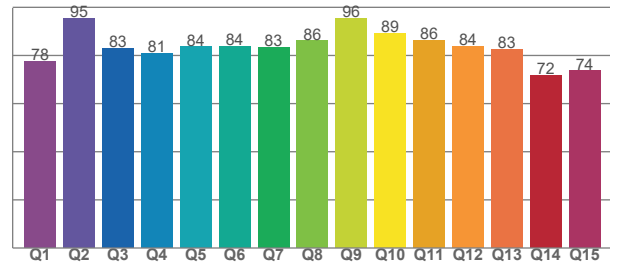
TM30 C values, 16 binned values out of total of 99 C values

| C1 | C2 | C3 | C4 | C5 | C6 | C7 | C8 | C9 | C10 | C11 | C12 | C13 | C14 | C15 | C16 |
|-------|-------|-------|-------|-------|-------|-------|-------|-------|-------|-------|-------|-------|-------|-------|-------|
| 80.71 | 81.67 | 78.10 | 88.29 | 92.99 | 92.28 | 86.79 | 93.34 | 89.71 | 85.25 | 82.55 | 85.54 | 88.27 | 81.12 | 83.90 | 77.34 |

CQS Q values

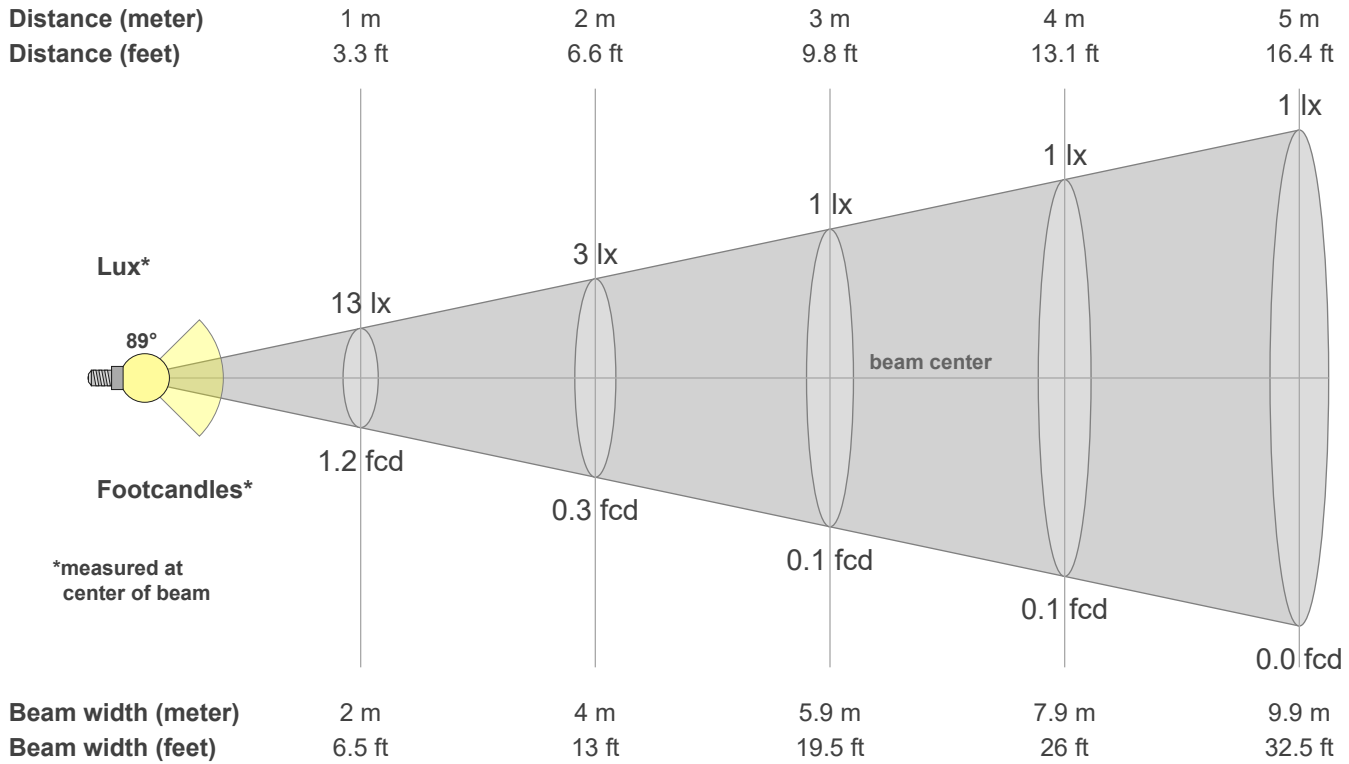
| Q1 | Q2 | Q3 | Q4 | Q5 | Q6 | Q7 | Q8 | Q9 | Q10 | Q11 | Q12 | Q13 | Q14 | Q15 |
|-------|-------|-------|-------|-------|-------|-------|-------|-------|-------|-------|-------|-------|-------|-------|
| 77.68 | 95.38 | 83.07 | 80.91 | 83.60 | 83.70 | 83.46 | 86.10 | 95.55 | 89.32 | 86.30 | 83.77 | 82.68 | 71.71 | 73.61 |

CQS: 82.4



Color parameters

| CCT | CRI | CRI R9 | TM30 Rf | TM30 Rg | CQS | x | y | u | v | Duv |
|--------|------|--------|---------|---------|------|-----|-----|-----|-----|---------|
| 3000 K | 83.3 | 10.0 | 85.3 | 96.8 | 82.4 | 0.4 | 0.4 | 0.3 | 0.3 | -0.0002 |



Intensities in 0° c-plane

| 0° | 5° | 10° | 15° | 20° | 25° | 30° | 35° | 40° | 45° | 50° | 55° | 60° | 65° | 70° | 75° | 80° | 85° | 90° | 95° |
|------|------|------|------|------|------|------|------|-----|-----|-----|-----|-----|-----|-----|-----|-----|-----|-----|-----|
| 13.4 | 13.3 | 13.2 | 12.8 | 12.3 | 11.7 | 10.9 | 10.2 | 9.3 | 8.5 | 7.7 | 6.8 | 5.8 | 4.8 | 3.8 | 2.9 | 2.0 | 1.2 | 0.5 | 0.1 |
| 100% | 99% | 98% | 95% | 92% | 87% | 81% | 76% | 69% | 63% | 57% | 50% | 43% | 35% | 28% | 21% | 15% | 9% | 4% | 0% |

Intensities in 90° c-plane

| 0° | 5° | 10° | 15° | 20° | 25° | 30° | 35° | 40° | 45° | 50° | 55° | 60° | 65° | 70° | 75° | 80° | 85° | 90° | 95° |
|------|------|------|-----|-----|-----|-----|-----|-----|-----|-----|-----|-----|-----|-----|-----|-----|-----|-----|-----|
| 13.4 | 11.7 | 10.2 | 9.6 | 8.9 | 7.9 | 7.5 | 6.7 | 6.2 | 5.5 | 5.0 | 4.4 | 3.8 | 3.2 | 2.6 | 2.1 | 1.5 | 1.0 | 0.6 | 0.2 |
| 100% | 87% | 76% | 71% | 66% | 59% | 56% | 49% | 46% | 41% | 37% | 32% | 28% | 24% | 20% | 15% | 11% | 8% | 4% | 1% |

Intensities in 180° c-plane

| 0° | 5° | 10° | 15° | 20° | 25° | 30° | 35° | 40° | 45° | 50° | 55° | 60° | 65° | 70° | 75° | 80° | 85° | 90° | 95° |
|------|------|------|------|------|------|------|------|-----|-----|-----|-----|-----|-----|-----|-----|-----|-----|-----|-----|
| 13.4 | 13.3 | 13.2 | 12.8 | 12.3 | 11.7 | 10.9 | 10.2 | 9.3 | 8.5 | 7.7 | 6.8 | 5.8 | 4.8 | 3.8 | 2.9 | 2.0 | 1.2 | 0.5 | 0.1 |
| 100% | 99% | 98% | 95% | 92% | 87% | 81% | 76% | 69% | 63% | 57% | 50% | 43% | 35% | 28% | 21% | 15% | 9% | 4% | 0% |

Intensities in 270° c-plane

| 0° | 5° | 10° | 15° | 20° | 25° | 30° | 35° | 40° | 45° | 50° | 55° | 60° | 65° | 70° | 75° | 80° | 85° | 90° | 95° |
|------|------|------|------|------|------|------|------|------|------|------|------|------|------|-----|-----|-----|-----|-----|-----|
| 13.4 | 15.1 | 16.7 | 18.3 | 19.9 | 21.3 | 22.6 | 23.7 | 24.8 | 25.5 | 25.8 | 25.3 | 21.1 | 14.8 | 9.6 | 5.9 | 3.3 | 1.3 | 0.2 | 0.0 |
| 100% | 112% | 124% | 136% | 148% | 159% | 168% | 176% | 184% | 189% | 192% | 188% | 157% | 110% | 71% | 44% | 25% | 10% | 2% | 0% |

| Beam angle 50% | Field angle 10% | Cutoff angle 2.5% | Intensity ratio in 120° cone | Intensity ratio in 90° cone |
|----------------|-----------------|-------------------|------------------------------|-----------------------------|
| 89.4° | 160.2° | 179.9° | 75.9% | 47.3% |