



## GL34-4

### 4" ROUND RECESSED LIGHT GIMBAL, 120V 8W SELECTABLE COLOR TEMPERATURE (3CCT)

#### Specifications



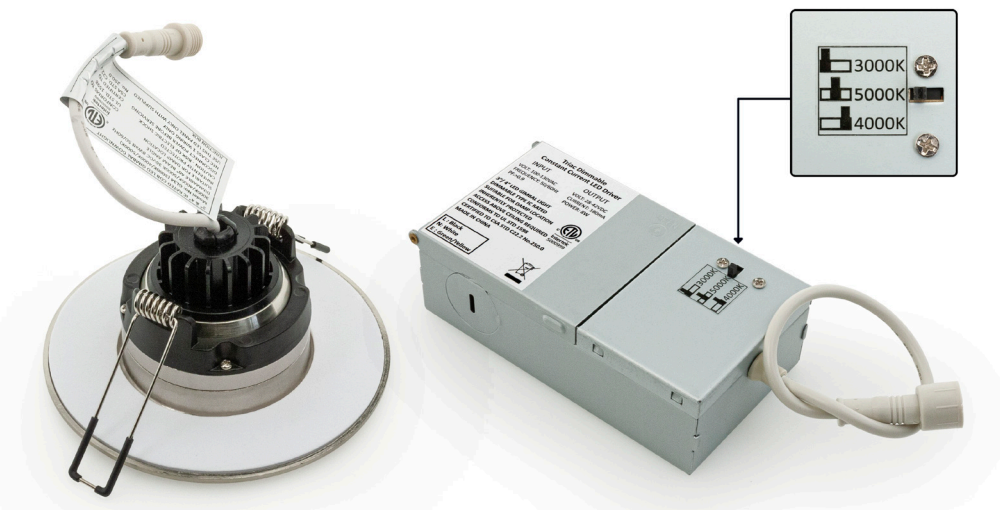
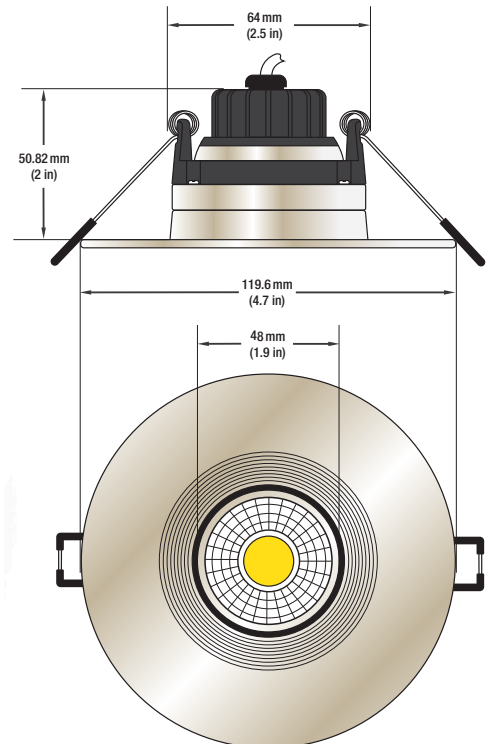
<b>Model No.:</b>	GL34-4
<b>Input Voltage:</b>	120V AC
<b>Wattage:</b>	8W
<b>Frequency:</b>	50-60Hz
<b>Color Temperature:</b>	Selectable 3CCT 3000K (Warm White) 4000K (Natural White) 5000K (Daylight)
<b>Beam Angel:</b>	40°
<b>Body Color:</b>	Brushed Nickel
<b>Brightness:</b>	800 Lumens
<b>Dimmable:</b>	Yes
<b>Rendering Index:</b>	CRI>90
<b>LED Type:</b>	Integrated COB LED
<b>LED Driver:</b>	IC Rated
<b>IP Rated:</b>	IP20 (Suitable for damp locations)
<b>LED Driver:</b>	Included
<b>Wire Length:</b>	30 cm (11.8 in) 22AWG
<b>Dimensions:</b>	Ø 119.6 mm (4.7 in), Depth 51 mm (2 in)
<b>Cut Size:</b>	Ø 64 mm (2.5 in)
<b>J-Box Dimensions:</b>	<b>Length:</b> 108 mm (4.25 in) <b>Width:</b> 60 mm (2.36 in) <b>Depth:</b> 35 mm (1.37 in)
<b>Certification:</b>	ETL



**SKU: 666561416201**

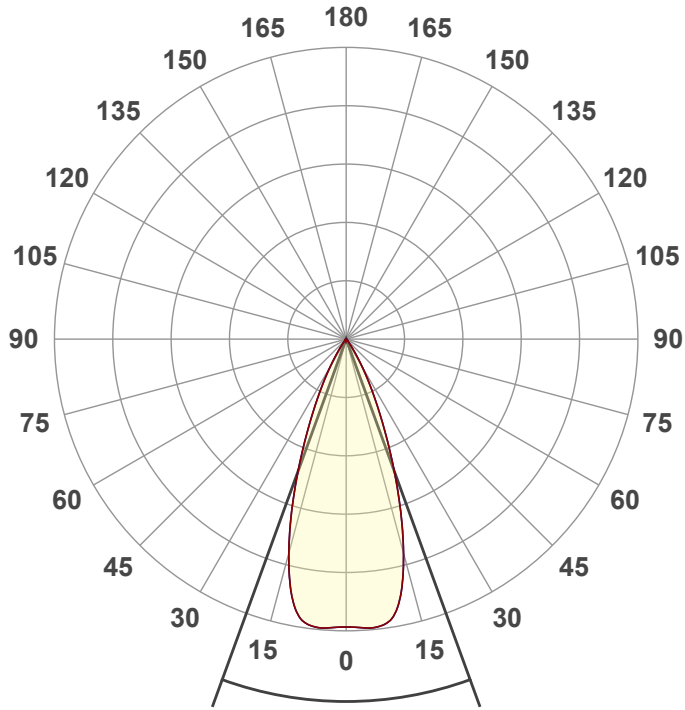
#### Features

- Color Adjustable by Dip Switch in the Driver Box.
- Universal gimbal with 40°, airtight rated, connecting separated junction box, without housing can be used as for great cost saving.
- A solid die-casting heat sink gives light perfect heat dissipation to maintain a long life of up to 50,000 hours. Nice looking smooth white face in oily spray prevents scratches when in use.
- Easy installation, fast connecting with the input wires, and prompt clip on the ceiling with spring helps on saving labor cost.



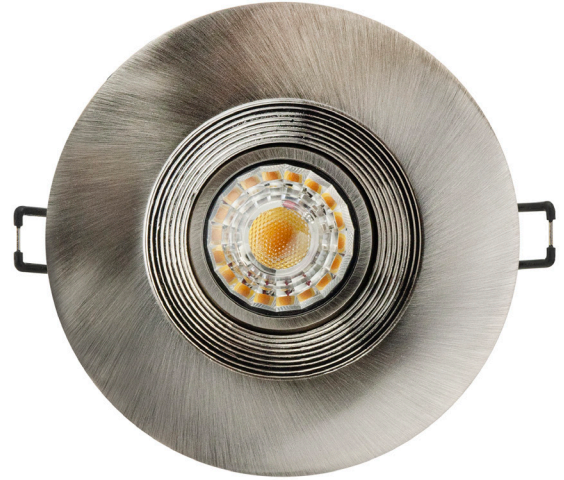
#### Disclaimer

The data and information contained in this specification sheet are subject to change without notice; the ratings supplied are provided based on the product manufacturer. The information contained in this specification sheet should not be considered a warranty, expressed or implied, including, but not limited to, a warranty of merchantability or fitness for a particular purpose. In no event shall LED Lights and Parts be liable for any incidental or consequential damages resulting from the use, misuse, or inability to use the product. This exclusion applies regardless of whether such damages are sought based on breach of warranty, breach of contract, negligence, strict liability in tort, or any other legal theory.



Beam angle

40°

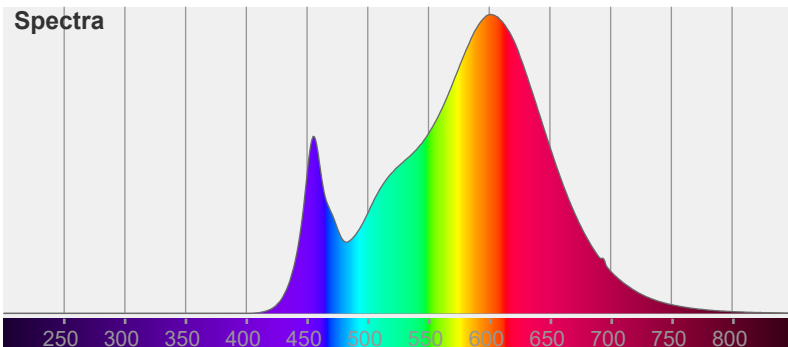


Color

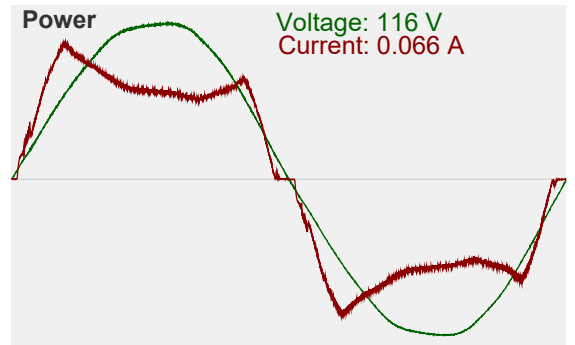


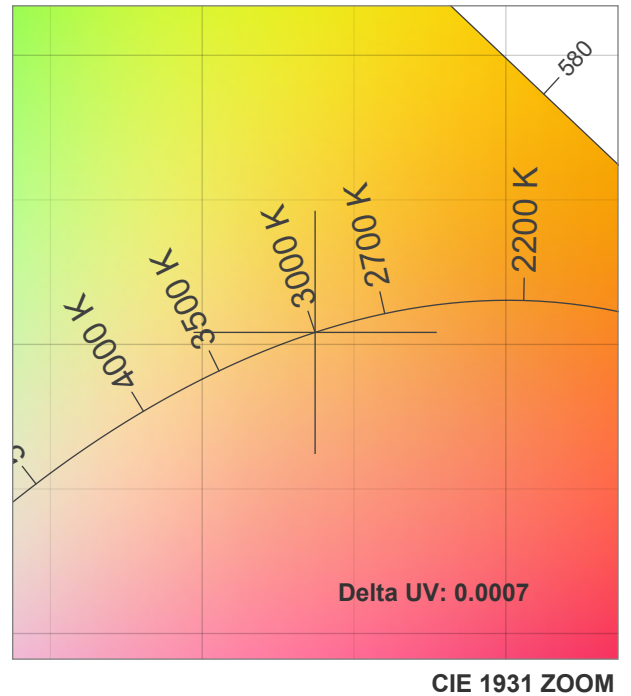
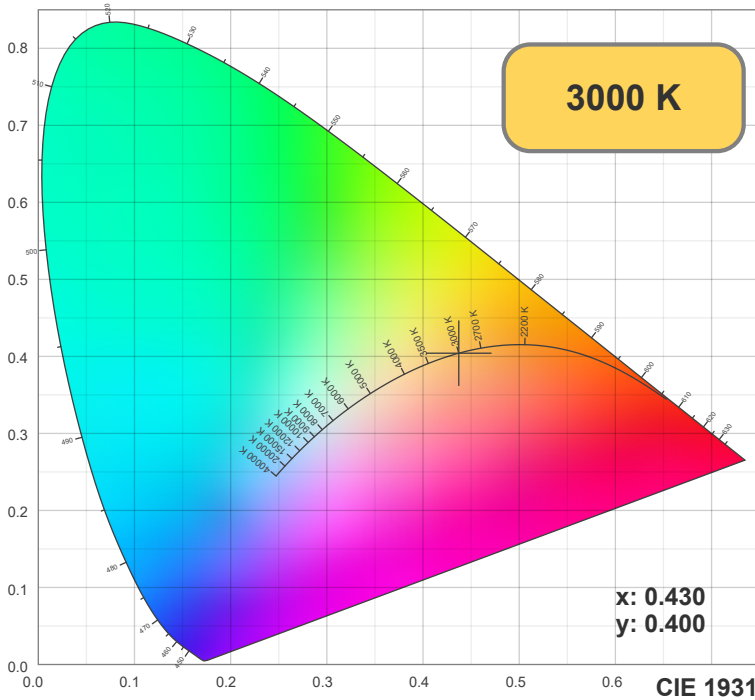
CIE1931  
x: 0.430  
y: 0.400

Spectra

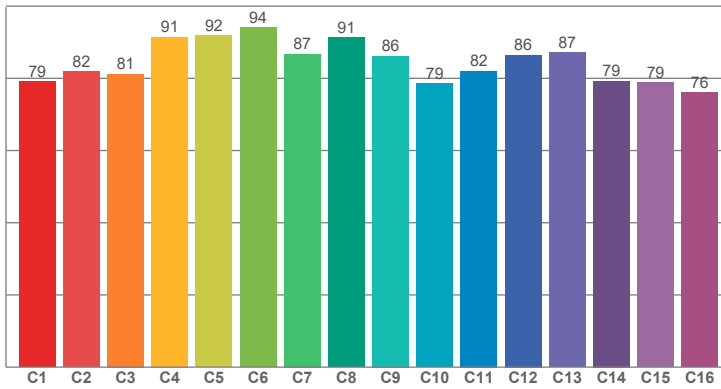


Power

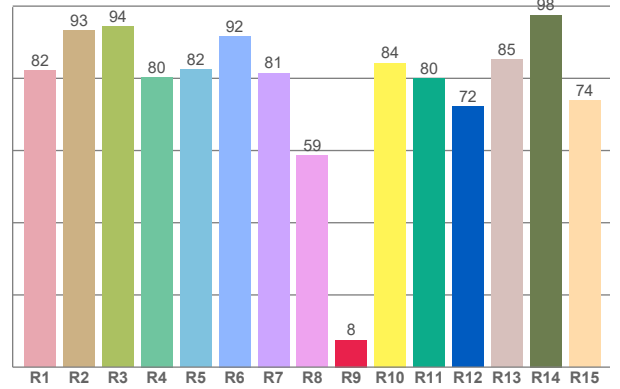




**TM30: 84.6**



**CRI: 83.0 (R1-R8)**



CRI R values, only R1-R8 are used to calculate final CRI value

R1	R2	R3	R4	R5	R6	R7	R8	R9	R10	R11	R12	R13	R14	R15
82.20	93.15	94.26	80.34	82.47	91.69	81.49	58.64	7.55	84.24	80.03	72.17	85.21	97.58	73.91

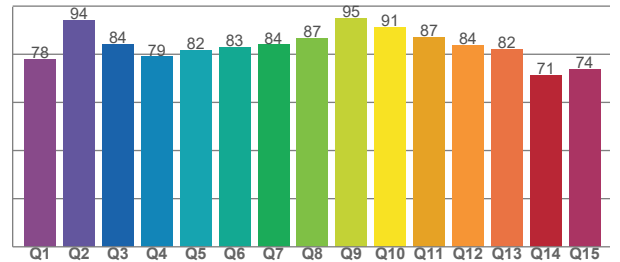
TM30 C values, 16 binned values out of total of 99 C values

C1	C2	C3	C4	C5	C6	C7	C8	C9	C10	C11	C12	C13	C14	C15	C16
79.03	81.79	81.23	91.46	91.90	93.98	86.74	91.33	86.18	78.66	82.06	86.50	87.15	79.27	78.83	76.15

CQS Q values

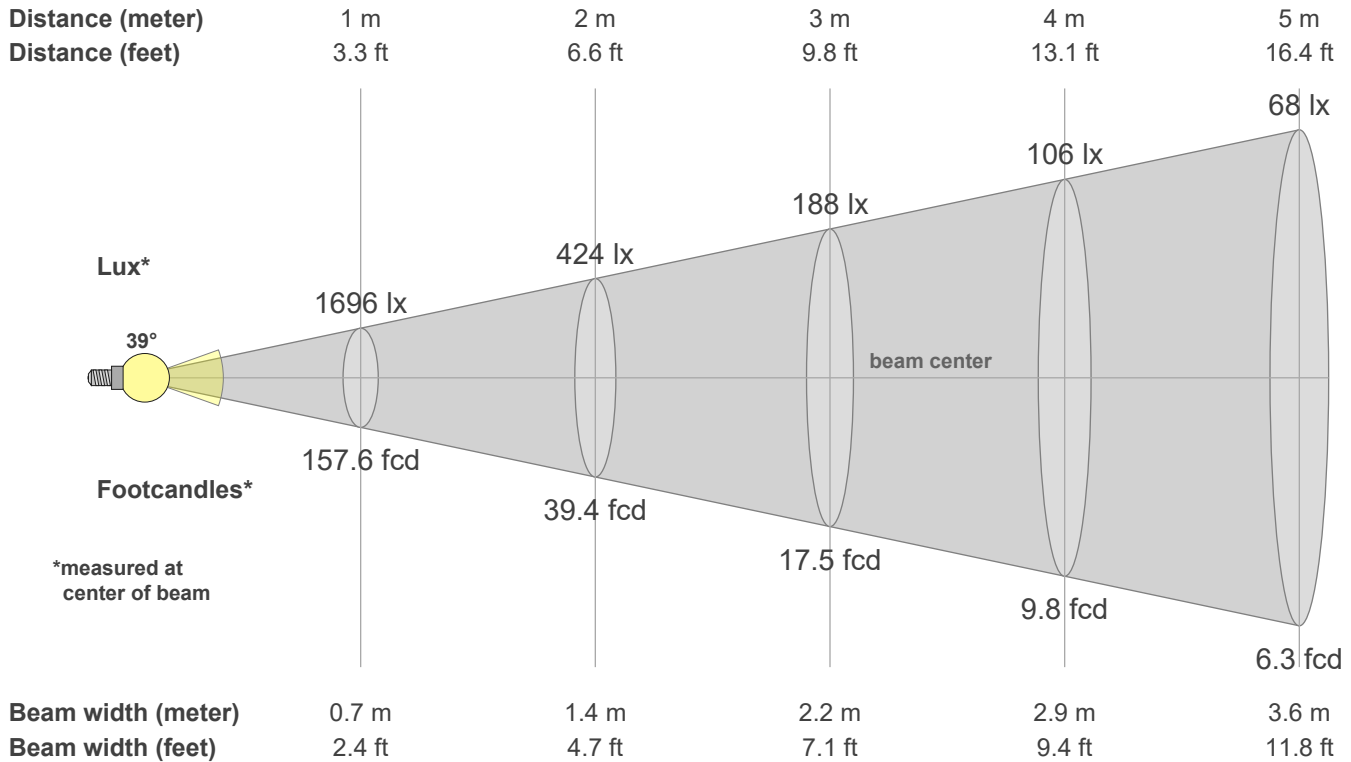
Q1	Q2	Q3	Q4	Q5	Q6	Q7	Q8	Q9	Q10	Q11	Q12	Q13	Q14	Q15
77.91	94.19	84.18	78.97	81.58	83.08	83.95	86.56	94.82	91.29	87.04	83.70	82.17	71.34	73.68

**CQS: 82.3**



## Color parameters

CCT	CRI	CRI R9	TM30 Rf	TM30 Rg	CQS	x	y	u	v	Duv
3000 K	83.0	7.5	84.6	94.2	82.3	0.4	0.4	0.3	0.3	-0.0007



### Intensities in 0° c-plane

0°	2°	4°	6°	8°	10°	12°	14°	16°	18°	20°	22°	24°	26°	28°	30°	32°	34°	36°	38°
1696	1699	1706	1705	1691	1641	1541	1391	1212	1020	829	654	501	376	274	188	121	73	42	25
100%	100%	101%	101%	100%	97%	91%	82%	71%	60%	49%	39%	30%	22%	16%	11%	7%	4%	2%	1%

### Intensities in 90° c-plane

0°	2°	4°	6°	8°	10°	12°	14°	16°	18°	20°	22°	24°	26°	28°	30°	32°	34°	36°	38°
1696	1699	1706	1705	1691	1641	1541	1391	1212	1020	829	654	501	376	274	188	121	73	42	25
100%	100%	101%	101%	100%	97%	91%	82%	71%	60%	49%	39%	30%	22%	16%	11%	7%	4%	2%	1%

### Intensities in 180° c-plane

0°	2°	4°	6°	8°	10°	12°	14°	16°	18°	20°	22°	24°	26°	28°	30°	32°	34°	36°	38°
1696	1699	1706	1705	1691	1641	1541	1391	1212	1020	829	654	501	376	274	188	121	73	42	25
100%	100%	101%	101%	100%	97%	91%	82%	71%	60%	49%	39%	30%	22%	16%	11%	7%	4%	2%	1%

### Intensities in 270° c-plane

0°	2°	4°	6°	8°	10°	12°	14°	16°	18°	20°	22°	24°	26°	28°	30°	32°	34°	36°	38°
1696	1699	1706	1705	1691	1641	1541	1391	1212	1020	829	654	501	376	274	188	121	73	42	25
100%	100%	101%	101%	100%	97%	91%	82%	71%	60%	49%	39%	30%	22%	16%	11%	7%	4%	2%	1%

Beam angle 50%	Field angle 10%	Cutoff angle 2.5%	Intensity ratio in 120° cone	Intensity ratio in 90° cone
39.5°	60.9°	71.9°	98.7%	97.2%