

LED Linear Light Installation Instructions

Distinguish customer,

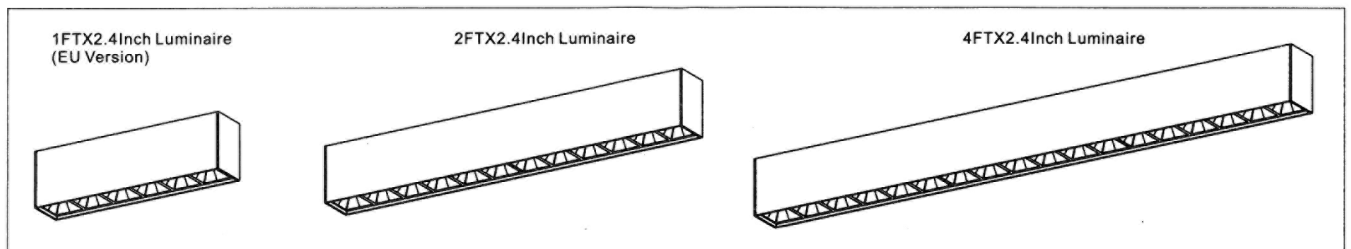
Thanks for purchasing our LED product. please read and follow all instructions carefully before using the product.

NOTES:

- ◇ Indoor use only
- ◇ Avoid falling
- ◇ If in doubt consult a qualified electrician. Do not disassemble it at your own discretion.
- ◇ Under no circumstances can the lighting fixture be covered with heat insulation gasket or similar materials.
- ◇ The maximum connection of each input line is less than 700W in 230AC, less than 800W in 277AC, less than 380W in 120AC.

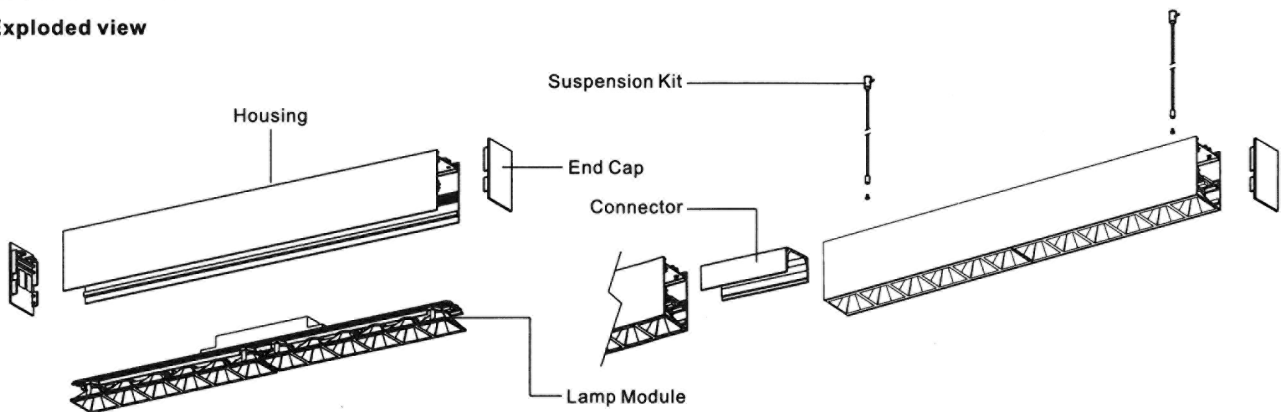
SPECIFICATION:

Model	Power	Input Voltage	Dimming	Working Temperature	Dimensions	Weight
2FTX2.4Inch Luminaire	19W	AC100-277V, 50/60Hz	0-10V	-10—40°C	L605*W59.4*H88mm	1.65Kg
4FTX2.4Inch Luminaire	38W	AC100-277V, 50/60Hz	0-10V	-10—40°C	L1205*W59.4*H88mm	3.1Kg
1FTX2.4Inch Luminaire (EU Version)	9W	AC220-240V, 50/60Hz	N	-10—40°C	L305*W59.4*H88mm	0.88Kg
2FTX2.4Inch Luminaire (EU Version)	19W	AC220-240V, 50/60Hz	N	-10—40°C	L605*W59.4*H88mm	1.65Kg
4FTX2.4Inch Luminaire (EU Version)	38W	AC220-240V, 50/60Hz	N	-10—40°C	L1205*W59.4*H88mm	3.1Kg

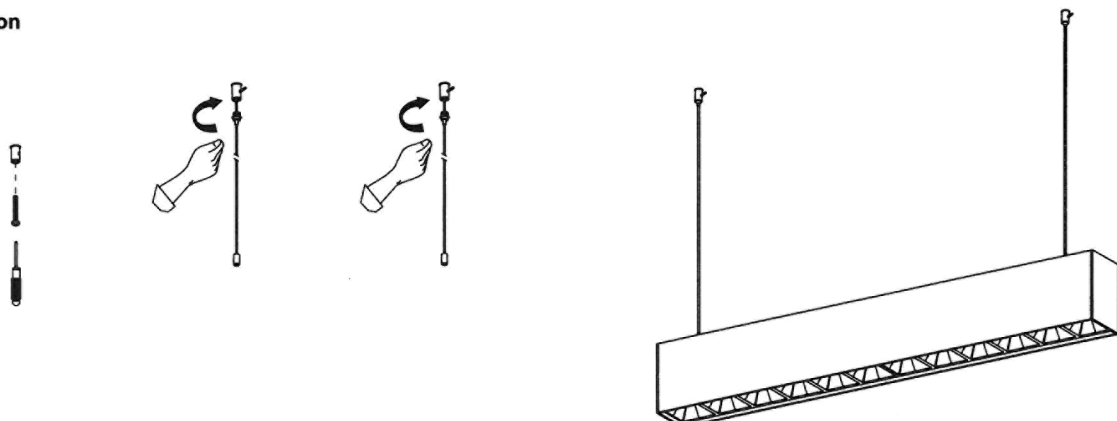


INSTALLATION:

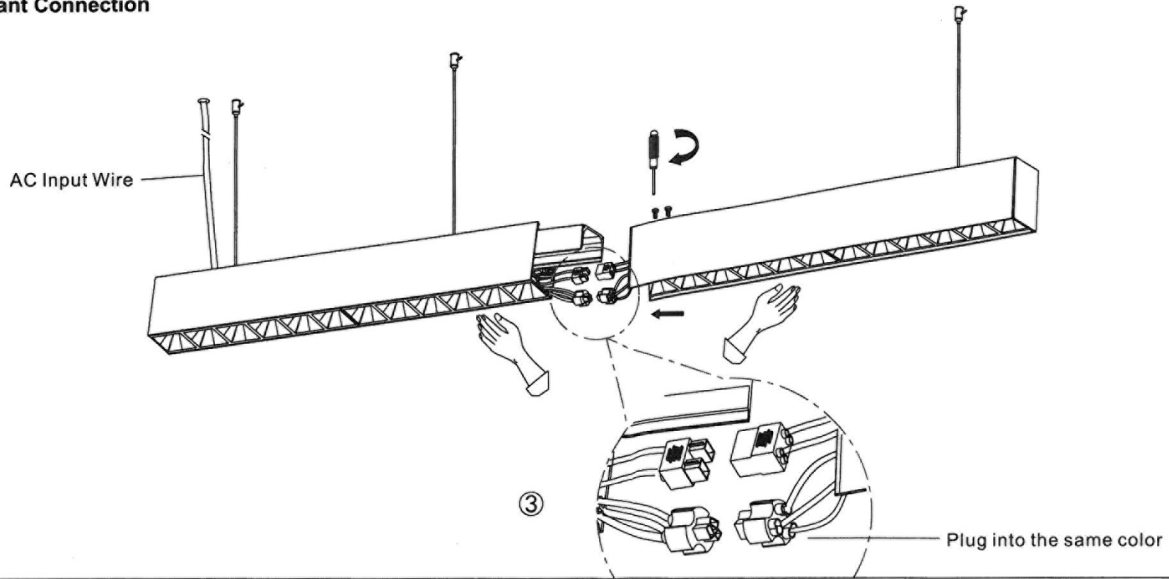
Exploded view



A.Suspension

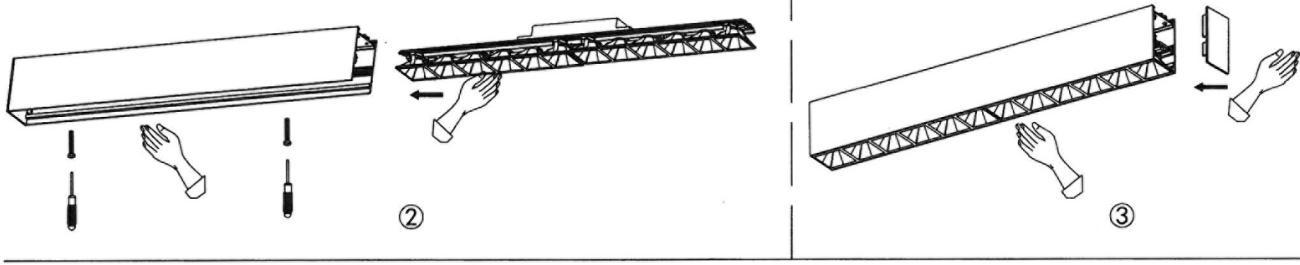
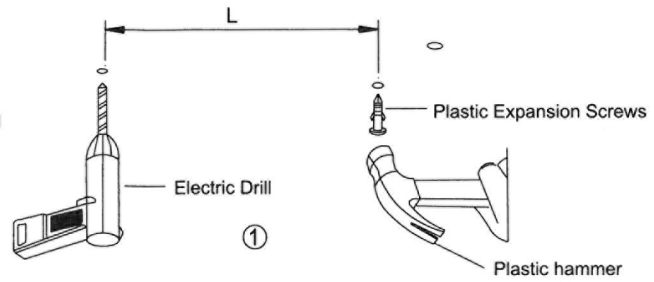


B. Pendant Connection

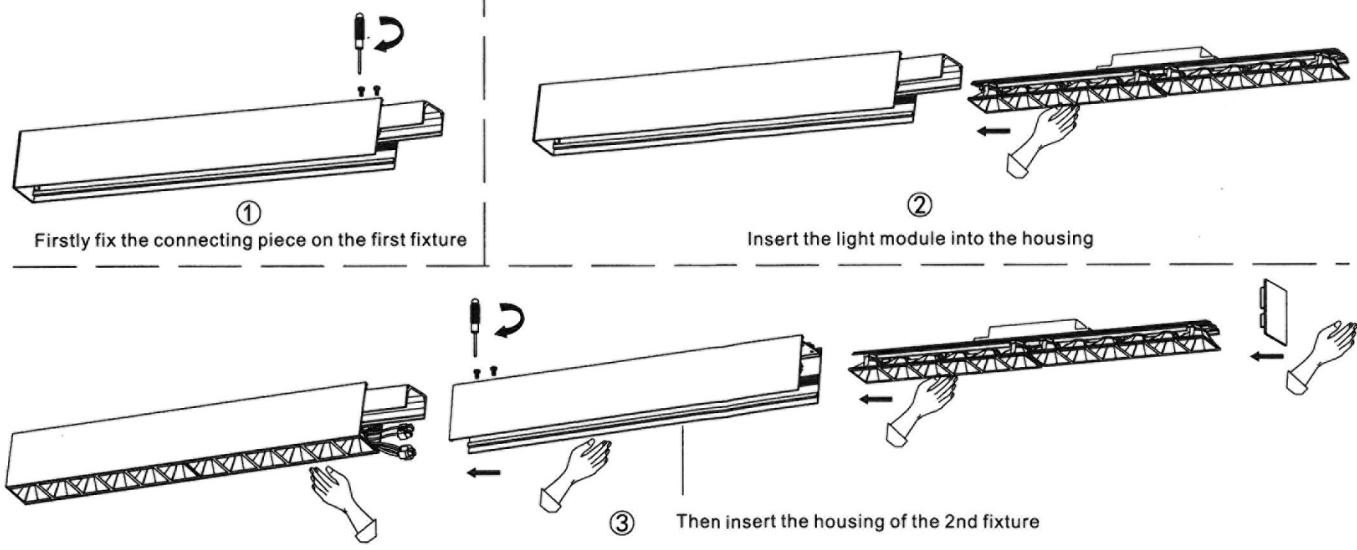


C. Surface Mounting

1FTX2.4Inch Luminaire (EU Version) : L=10CM
 Installation pitch: 2FTX2.4Inch Luminaire : L=40CM
 4FTX2.4Inch Luminaire : L=100CM



D. Surface mounted Connection



For 0-10V Dimming

For 0-10V Dimming Compatible with 0-10V dimmer
 The driver PUR (D+) to the dimmer+ (PUR), and the driver GRY (D-) to the dimmer- (GRY).
 Connect the wires with terminal cap as shown in wiring diagram (Figure 1). Incoming insulated dimming conductors shall have voltage rated at least equal to the branch voltage.

WIRING DIAGRAM

