

Model: VBD-024-012ND

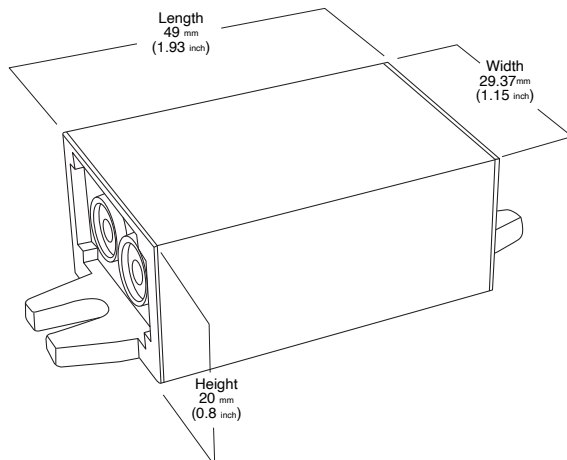
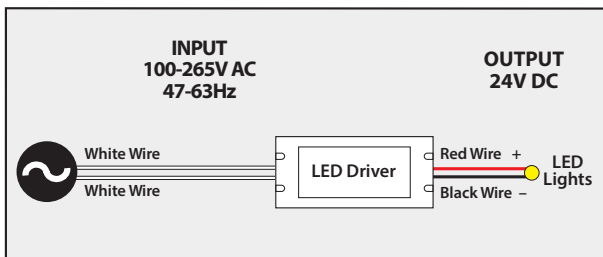
Input Voltage:	100-265V AC
Frequency:	47-63 Hz
Output Voltage:	24V DC
Output Current:	0.5 A
Max Power:	12W
Dimensions L x W x H:	49mm x 30mm x 20mm
Class Certification:	Class 2
Weight:	0.04 kg
IP Rating:	IP67 (Dry, Damp, and Wet Locations)
Dimmable:	No
Wiring/Housing:	Hardwire
Operating Temperature:	at least 90°C
Standards:	CE/ETL/RoHS

Job Name: _____

Distributor: _____

Type: _____

Installation Diagram



24V DC
12W
CLASS 2

SKU: 666561415846