



2" ROUND RECESSED LED IN-GROUND LIGHT 24V 2.5W 3000K (WARM WHITE)

Specifications



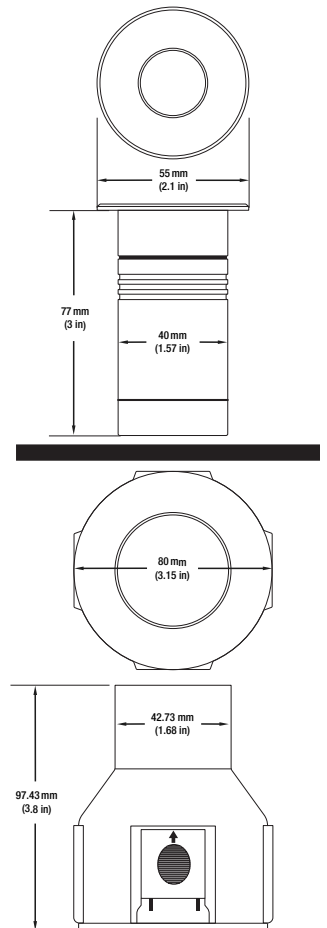
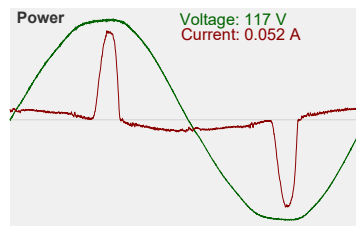
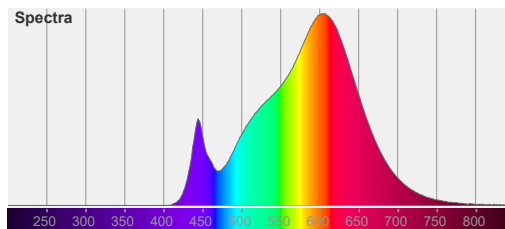
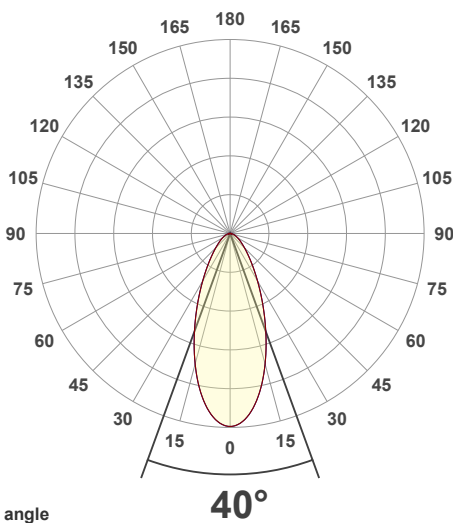
Model No.:	B2WDR0157A
Input Voltage:	24V DC
Wattage:	2.6W
Light Source:	1 x 2W LED
Lens Type:	Frosted
Beam Angle:	40°
Wattage:	2.5W
Bulb Type:	Integrated LED
Color Temperature:	3000K (Warm White)
Housing Material:	Die-cast Aluminum body
Cap Material:	Stainless Steel
IP Rating:	IP67 (Outdoor rated)
Dimmable:	No
Dimensions with housing:	Base Diameter: 80mm (3.15in) Diameter: 55mm (2.1in) Height: 97.43mm (3.8in)
Dimensions without housing:	Diameter: 55mm (2.1in) Height: 77mm (3in)
Cable Size:	Length: 55cm (1.8ft) Diameter: 7.5mm (0.29in) 18AWG
Certification:	CE



SKU#: 666561415204

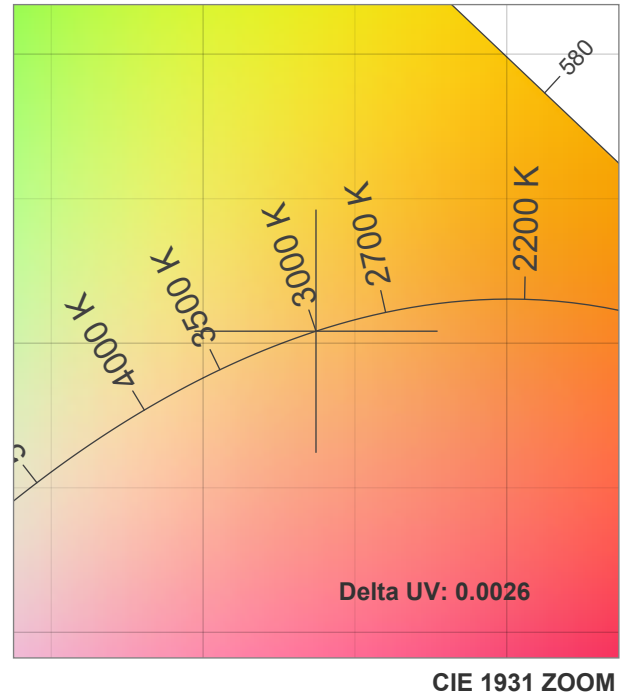
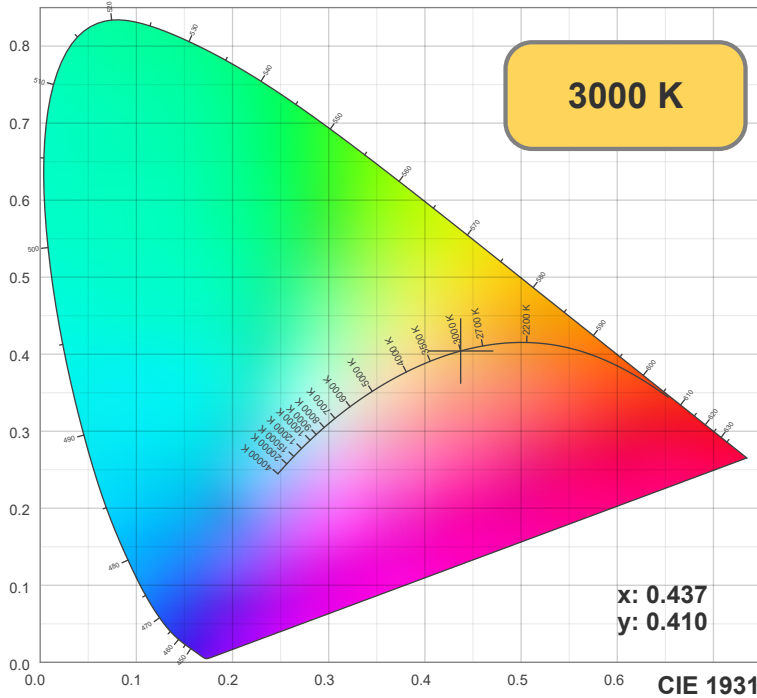
Features

- 2-inch round recessed LED inground light suitable for outdoor applications.
- 24V DC operation with a total power consumption of 2.5W and a single 2W LED light source.
- Warm white color temperature of 3000K and a 40° beam angle.
- Housing material made of die-cast aluminum, cap material made of stainless steel, and lens type is frosted.
- IP67 rating, making it suitable for all types of weather conditions and resilient to being stepped upon.
- Can be used as LED pathway lights, pool deck lights, patio lights, and other outdoor lighting applications to create a unique ambiance or offer functional illumination.
- Not dimmable and can be powered by either single or multiple LED light transformers.

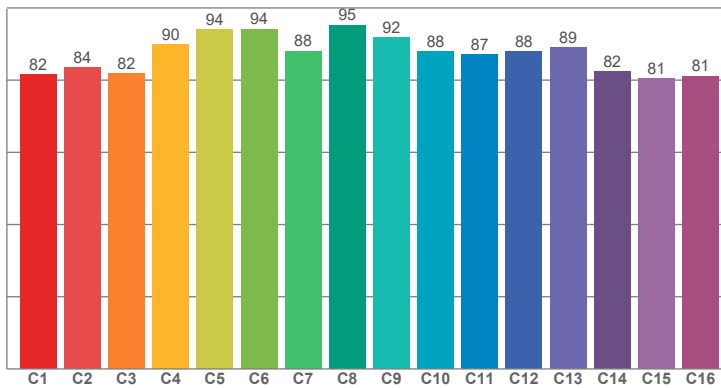


Disclaimer

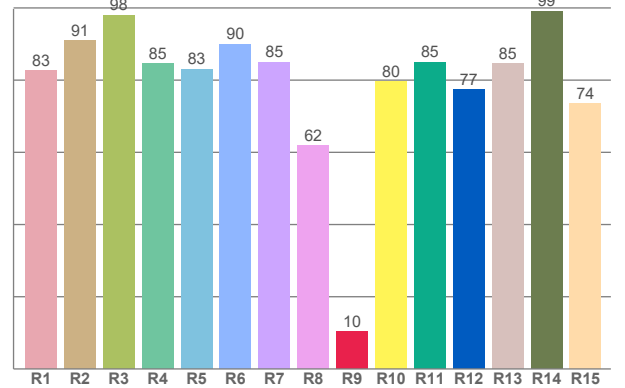
The data and information contained in this specification sheet are subject to change without notice; the ratings supplied are provided based on the product manufacturer. The information contained in this specification sheet should not be considered a warranty, expressed or implied, including, but not limited to, a warranty of merchantability or fitness for a particular purpose. In no event shall LED Lights and Parts be liable for any incidental or consequential damages resulting from the use, misuse, or inability to use the product. This exclusion applies regardless of whether such damages are sought based on breach of warranty, breach of contract, negligence, strict liability in tort, or any other legal theory.



TM30: 87.3



CRI: 84.5 (R1-R8)



CRI R values, only R1-R8 are used to calculate final CRI value

R1	R2	R3	R4	R5	R6	R7	R8	R9	R10	R11	R12	R13	R14	R15
82.62	90.88	98.06	84.56	83.10	90.00	85.00	61.79	10.39	79.59	85.02	77.41	84.52	99.17	73.63

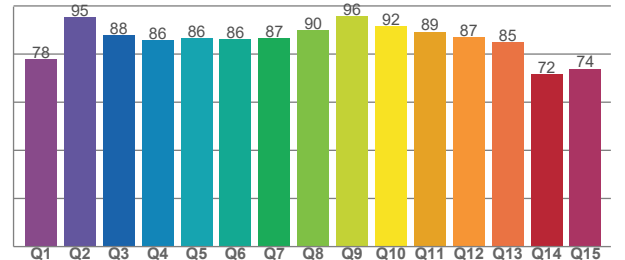
TM30 C values, 16 binned values out of total of 99 C values

C1	C2	C3	C4	C5	C6	C7	C8	C9	C10	C11	C12	C13	C14	C15	C16
81.52	83.55	81.88	89.81	93.96	94.18	88.07	95.29	91.92	88.04	87.03	87.90	88.98	82.46	80.51	81.13

CQS Q values

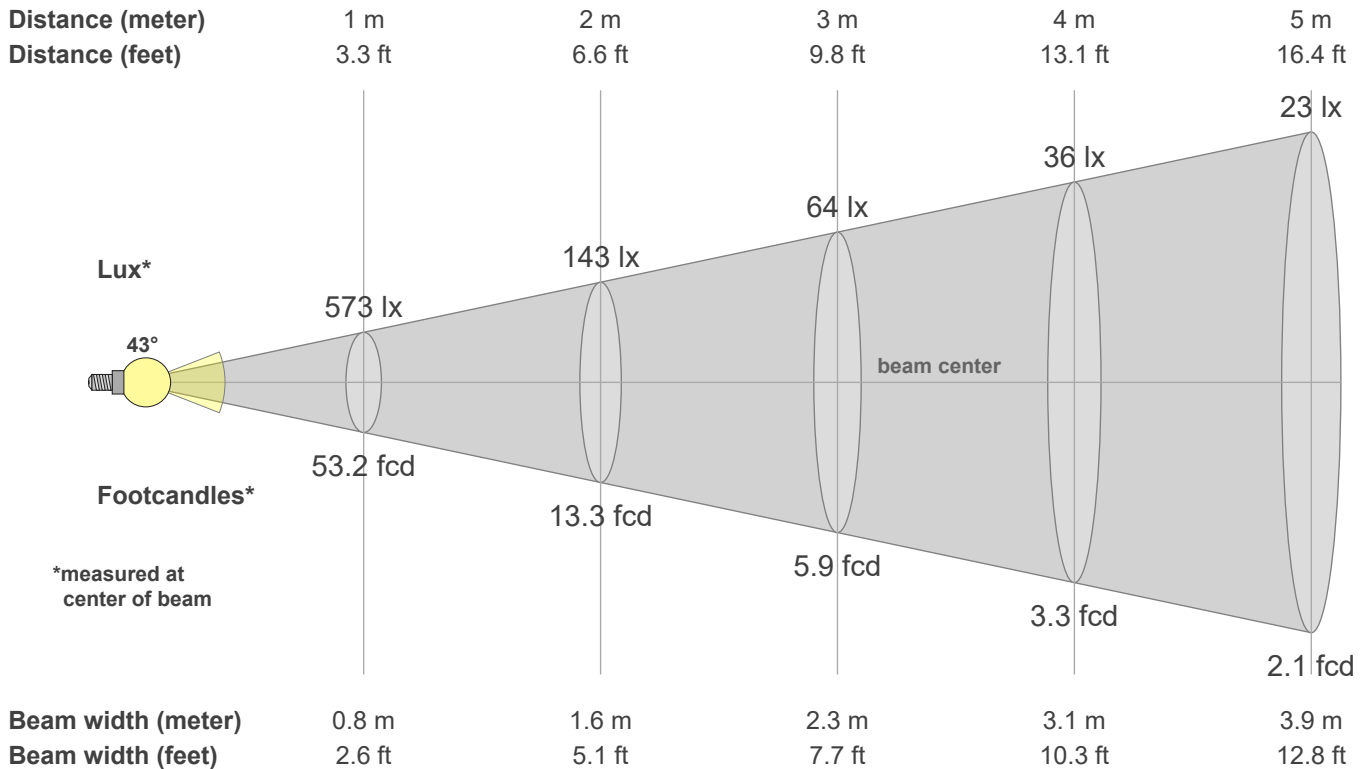
Q1	Q2	Q3	Q4	Q5	Q6	Q7	Q8	Q9	Q10	Q11	Q12	Q13	Q14	Q15
77.76	95.32	87.84	85.81	86.44	86.13	86.55	89.79	95.82	91.54	89.32	86.96	85.09	71.79	73.92

CQS: 84.3



Color parameters

CCT	CRI	CRI R9	TM30 Rf	TM30 Rg	CQS	x	y	u	v	Duv
3000 K	84.5	10.4	87.3	96.2	84.3	0.4	0.4	0.3	0.3	0.0026



Intensities in 0° c-plane

0°	2°	4°	6°	8°	10°	12°	14°	16°	18°	20°	22°	24°	26°	28°	30°	32°	34°	36°	38°
573	569	558	540	517	488	455	420	383	346	310	275	243	213	187	163	142	124	108	94
100%	99%	97%	94%	90%	85%	79%	73%	67%	60%	54%	48%	42%	37%	33%	28%	25%	22%	19%	16%

Intensities in 90° c-plane

0°	2°	4°	6°	8°	10°	12°	14°	16°	18°	20°	22°	24°	26°	28°	30°	32°	34°	36°	38°
573	569	558	540	517	488	455	420	383	346	310	275	243	213	187	163	142	124	108	94
100%	99%	97%	94%	90%	85%	79%	73%	67%	60%	54%	48%	42%	37%	33%	28%	25%	22%	19%	16%

Intensities in 180° c-plane

0°	2°	4°	6°	8°	10°	12°	14°	16°	18°	20°	22°	24°	26°	28°	30°	32°	34°	36°	38°
573	569	558	540	517	488	455	420	383	346	310	275	243	213	187	163	142	124	108	94
100%	99%	97%	94%	90%	85%	79%	73%	67%	60%	54%	48%	42%	37%	33%	28%	25%	22%	19%	16%

Intensities in 270° c-plane

0°	2°	4°	6°	8°	10°	12°	14°	16°	18°	20°	22°	24°	26°	28°	30°	32°	34°	36°	38°
573	569	558	540	517	488	455	420	383	346	310	275	243	213	187	163	142	124	108	94
100%	99%	97%	94%	90%	85%	79%	73%	67%	60%	54%	48%	42%	37%	33%	28%	25%	22%	19%	16%

Beam angle 50%	Field angle 10%	Cutoff angle 2.5%	Intensity ratio in 120° cone	Intensity ratio in 90° cone
42.7°	91.7°	139.6°	92.7%	81.2%