



B5AF0158

UNDERWATER LED SPOT LIGHT, 24V 3W 3000K (WARM WHITE)

Specifications

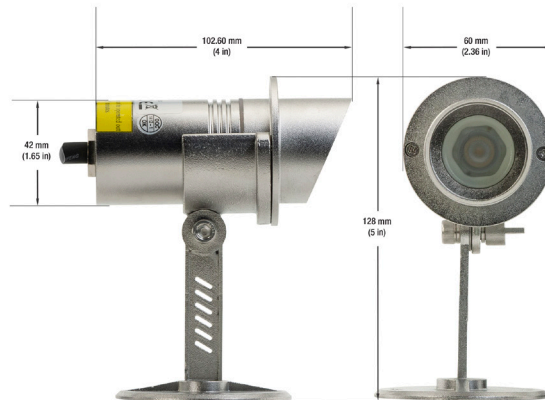
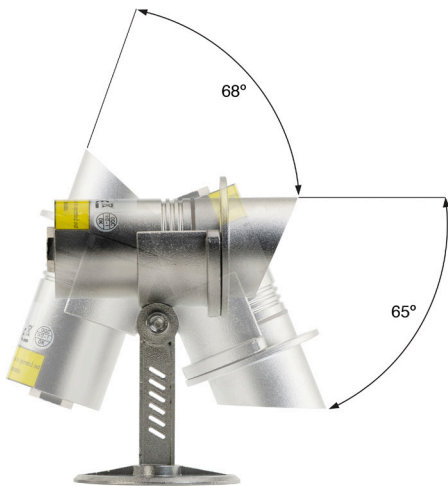
Model No.:	B5AF0158
Input Voltage:	24V
Wattage:	3W
LED Light Source:	1 x 3W LED
Color Temperatures:	3000K (Warm White)
Beam Angle:	30°
Housing:	Molding shaped sus 316# stainless steel
Housing Glass:	Tempered Glass T=5mm
Waterproof Seal:	EPDM gasket
Operating Temperature:	Temperature of water between -20°C -40°C, less than 1 meter depth
Cable Gland:	IP68 M1 6a copper with nickel-coated
Cable Size:	Length: 3 m (118.11 in), Ø 8 mm (0.31 in)
IK Rating:	IK06
IP Rating:	IP68 (Waterproof)
Dimensions:	Diameter: 60 mm (2.36 in) Height: 128 mm (5 in) Depth: 102.60 mm (4 in)
Certification:	CE



SKU#: 666561414818

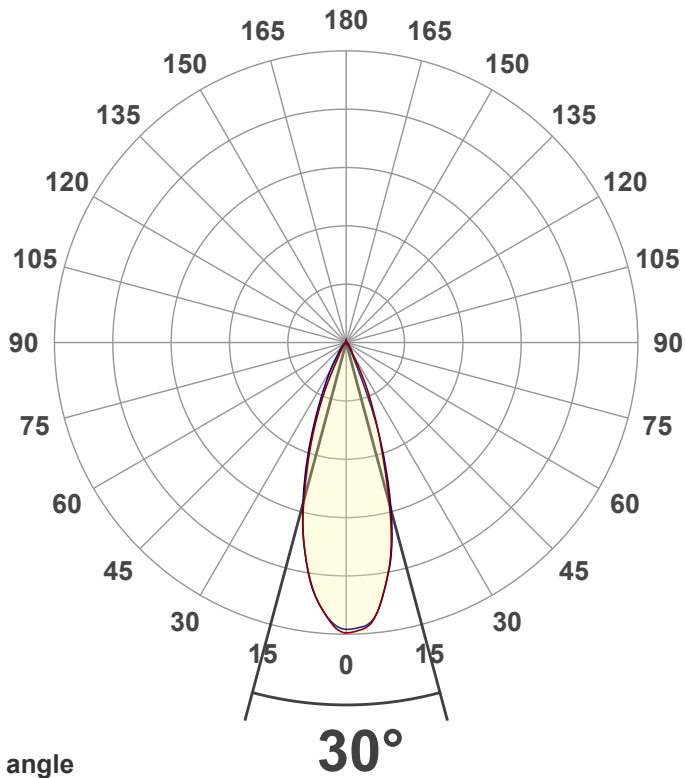
Features

- This special product is completely restricted to submersible application.
- Applications include pool decoration, fountains, water falls, small aquariums, etc.



Disclaimer

The data and information contained in this specification sheet are subject to change without notice; the ratings supplied are provided based on the product manufacturer. The information contained in this specification sheet should not be considered a warranty, expressed or implied, including, but not limited to, a warranty of merchantability or fitness for a particular purpose. In no event shall LED Lights and Parts be liable for any incidental or consequential damages resulting from the use, misuse, or inability to use the product. This exclusion applies regardless of whether such damages are sought based on breach of warranty, breach of contract, negligence, strict liability in tort, or any other legal theory.

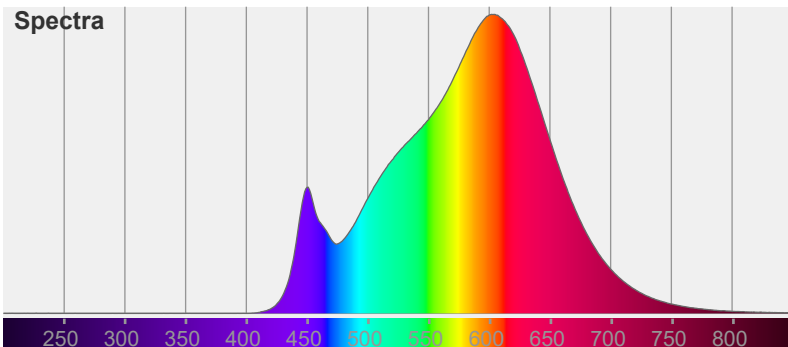


Color



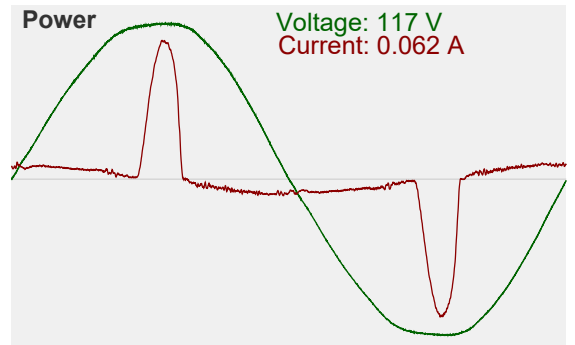
CIE1931
x: 0.435
y: 0.416

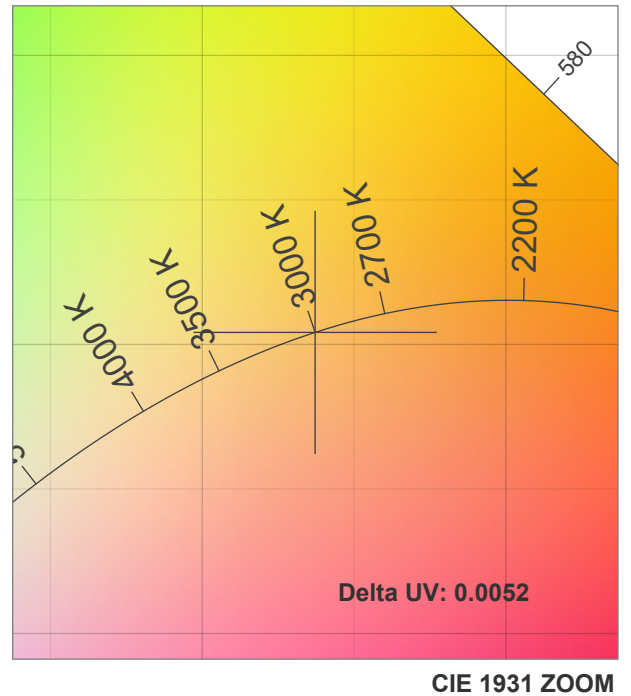
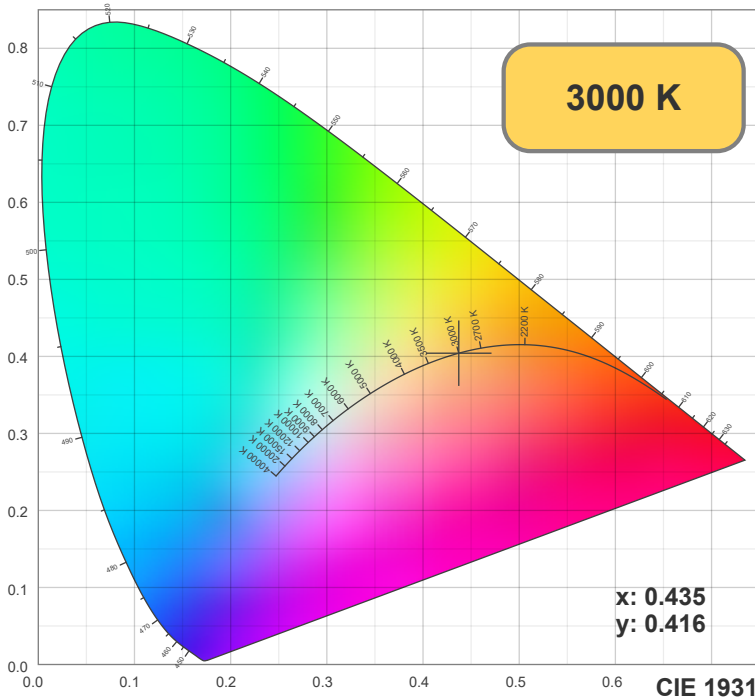
Spectra



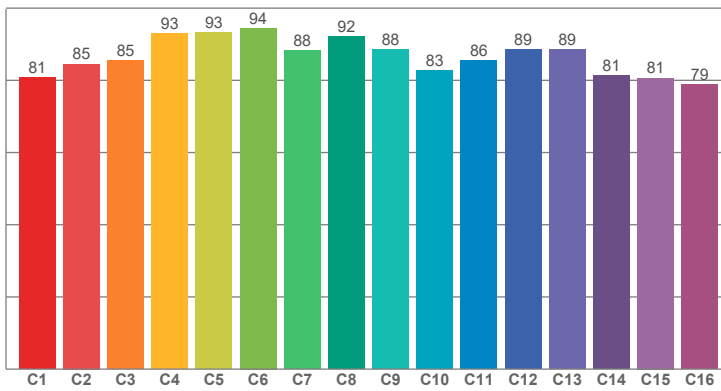
Power

Voltage: 117 V
Current: 0.062 A

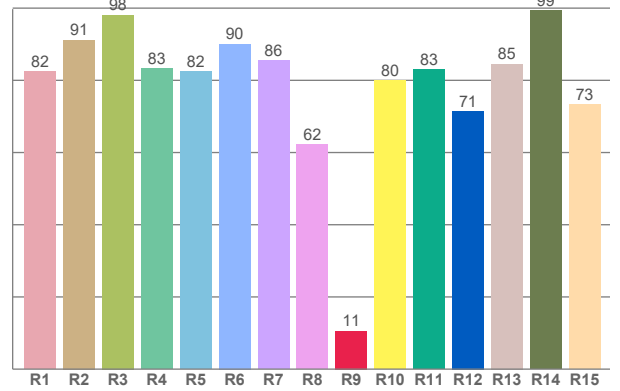




TM30: 86.8



CRI: 84.4 (R1-R8)



CRI R values, only R1-R8 are used to calculate final CRI value

R1	R2	R3	R4	R5	R6	R7	R8	R9	R10	R11	R12	R13	R14	R15
82.40	91.17	98.11	83.19	82.35	90.10	85.50	62.15	10.60	79.97	83.03	71.47	84.51	99.28	73.23

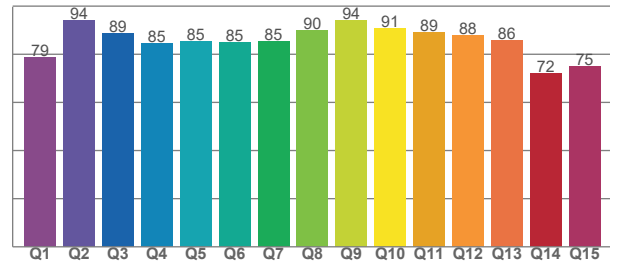
TM30 C values, 16 binned values out of total of 99 C values

C1	C2	C3	C4	C5	C6	C7	C8	C9	C10	C11	C12	C13	C14	C15	C16
80.82	84.51	85.44	92.96	93.17	94.46	88.18	92.05	88.48	82.74	85.55	88.61	88.54	81.36	80.66	78.83

CQS Q values

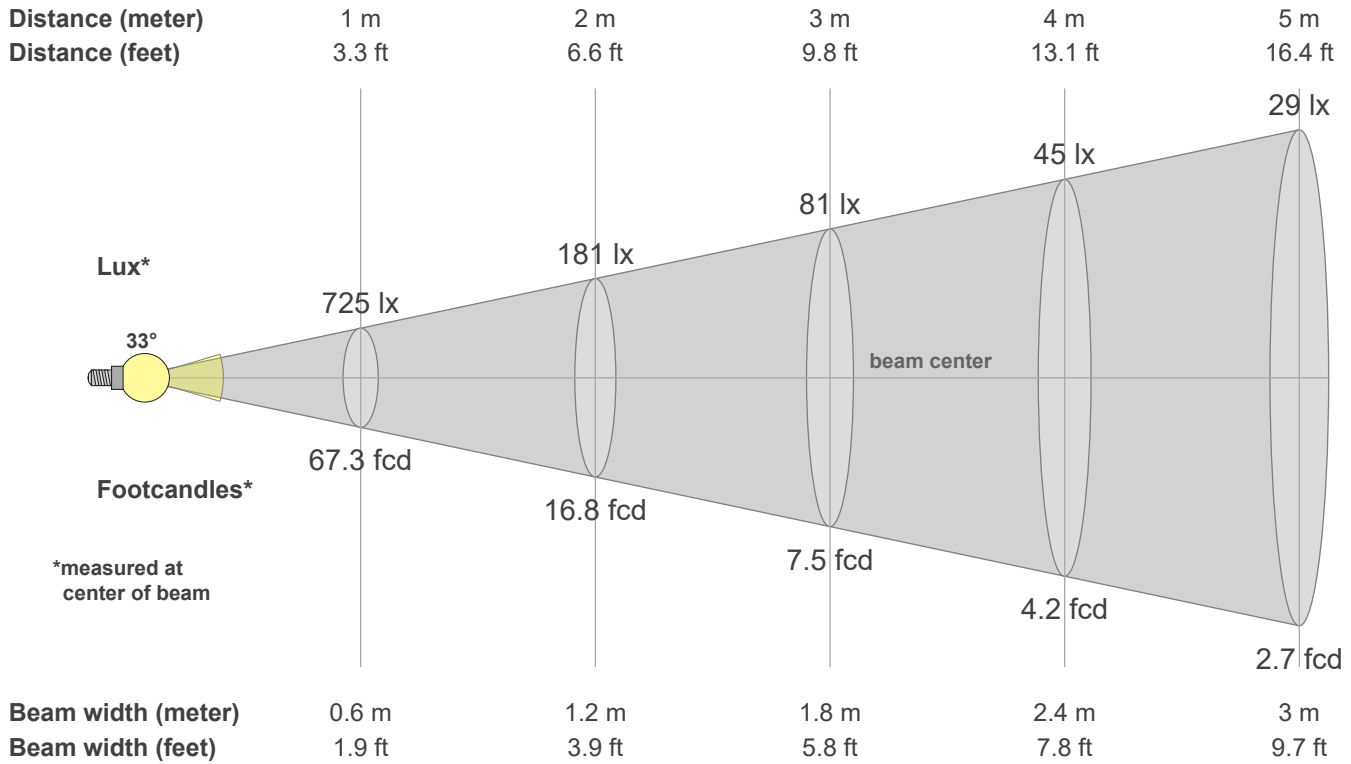
Q1	Q2	Q3	Q4	Q5	Q6	Q7	Q8	Q9	Q10	Q11	Q12	Q13	Q14	Q15
78.79	94.14	88.67	84.71	85.27	85.00	85.26	89.93	94.08	90.72	89.30	87.90	85.99	72.30	75.13

CQS: 84.4



Color parameters

CCT	CRI	CRI R9	TM30 Rf	TM30 Rg	CQS	x	y	u	v	Duv
3000 K	84.4	10.6	86.8	93.3	84.4	0.4	0.4	0.3	0.3	0.0052



Intensities in 0° c-plane

0°	2°	4°	6°	8°	10°	12°	14°	16°	18°	20°	22°	24°	26°	28°	30°	32°	34°	36°	38°
725	726	718	693	648	597	539	463	376	296	233	178	133	90	49	34	28	24	21	18
100%	100%	99%	96%	89%	82%	74%	64%	52%	41%	32%	25%	18%	12%	7%	5%	4%	3%	3%	2%

Intensities in 90° c-plane

0°	2°	4°	6°	8°	10°	12°	14°	16°	18°	20°	22°	24°	26°	28°	30°	32°	34°	36°	38°
725	718	713	691	649	598	543	474	395	312	230	138	70	40	27	19	14	10	7	6
100%	99%	98%	95%	90%	82%	75%	65%	54%	43%	32%	19%	10%	6%	4%	3%	2%	1%	1%	1%

Intensities in 180° c-plane

0°	2°	4°	6°	8°	10°	12°	14°	16°	18°	20°	22°	24°	26°	28°	30°	32°	34°	36°	38°
725	719	692	658	618	568	512	449	374	306	242	183	128	76	45	34	27	22	18	15
100%	99%	95%	91%	85%	78%	71%	62%	52%	42%	33%	25%	18%	10%	6%	5%	4%	3%	2%	2%

Intensities in 270° c-plane

0°	2°	4°	6°	8°	10°	12°	14°	16°	18°	20°	22°	24°	26°	28°	30°	32°	34°	36°	38°
725	713	690	659	620	568	512	452	387	323	261	207	161	125	98	76	58	43	34	28
100%	98%	95%	91%	86%	78%	71%	62%	53%	45%	36%	29%	22%	17%	13%	11%	8%	6%	5%	4%

Beam angle 50%	Field angle 10%	Cutoff angle 2.5%	Intensity ratio in 120° cone	Intensity ratio in 90° cone
33.1°	53.6°	73.7°	99.0%	96.0%