



B5AF0106

UNDERWATER LED SPOT LIGHT, 24V 3W RGB

Specifications

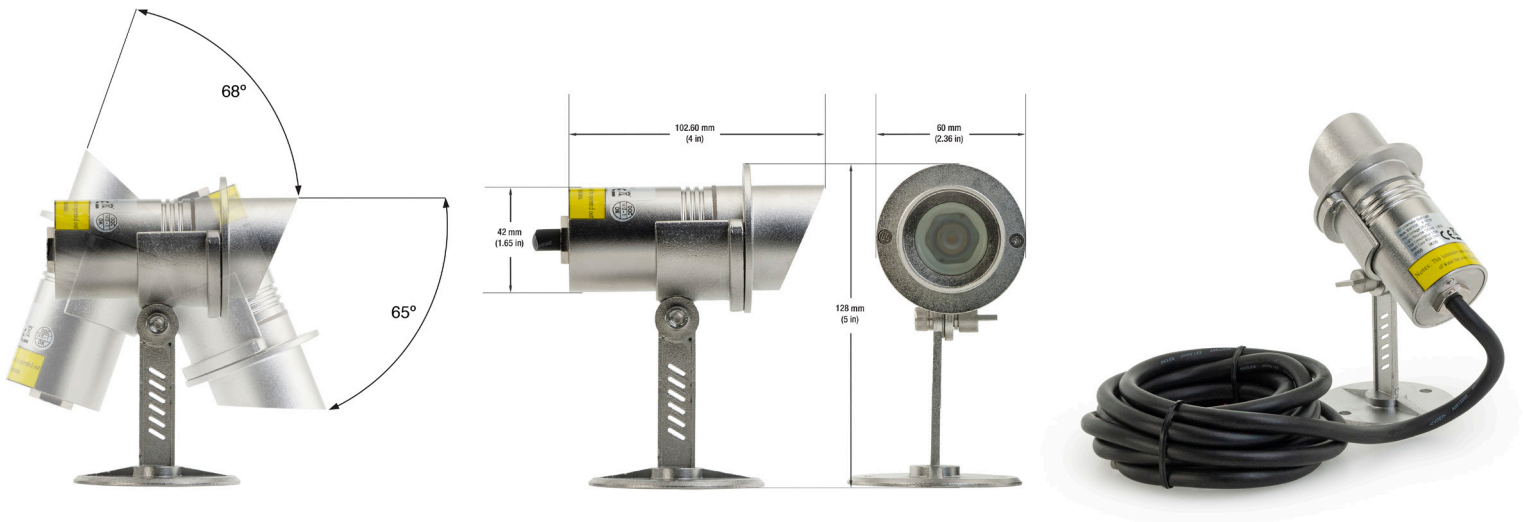
Model No.:	B5AF0106
Input Voltage:	24V
Wattage:	3W
LED Light Source:	1 x 3W LED
Color Temperatures:	RGB 3 in 1
Beam Angle:	20°
Housing:	Molding shaped sus 316# stainless steel
Housing Glass:	Tempered Glass T=5mm
Waterproof Seal:	EPDM gasket
Operating Temperature:	Temperature of water between -20°C -40°C, less than 1 meter depth
Cable Gland:	IP68 M1 6a copper with nickel-coated
Cable Size:	Length: 3 m (118.11 in), Ø 8 mm (0.31 in)
IK Rating:	IK06
IP Rating:	IP68 (Waterproof)
Dimensions:	Diameter: 60 mm (2.36 in) Height: 128 mm (5 in) Depth: 102.60 mm (4 in)
Certification:	CE



SKU#: 666561414801

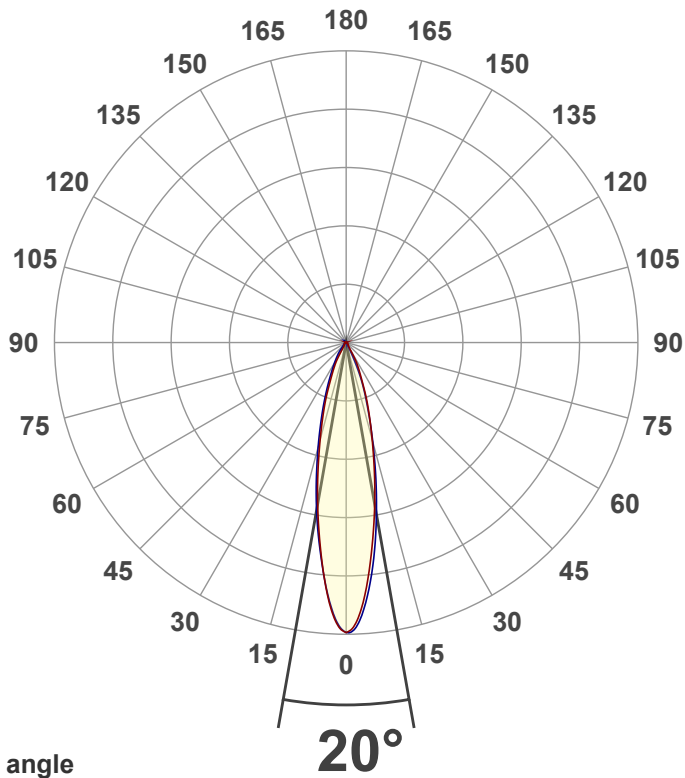
Features

- This special product is completely restricted to submersible application.
- Applications include pool decoration, fountains, water falls, small aquariums, etc.



Disclaimer

The data and information contained in this specification sheet are subject to change without notice; the ratings supplied are provided based on the product manufacturer. The information contained in this specification sheet should not be considered a warranty, expressed or implied, including, but not limited to, a warranty of merchantability or fitness for a particular purpose. In no event shall LED Lights and Parts be liable for any incidental or consequential damages resulting from the use, misuse, or inability to use the product. This exclusion applies regardless of whether such damages are sought based on breach of warranty, breach of contract, negligence, strict liability in tort, or any other legal theory.



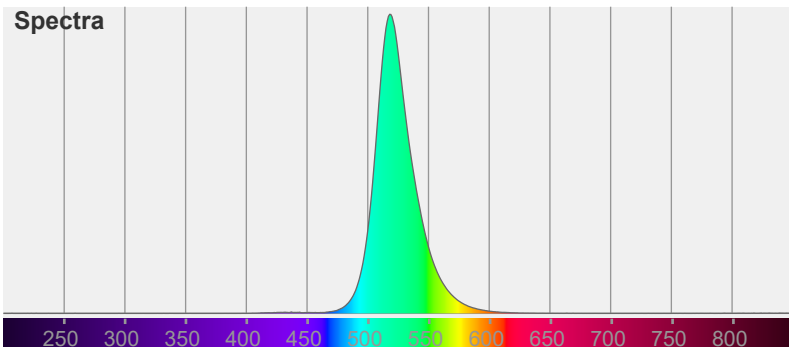
Color



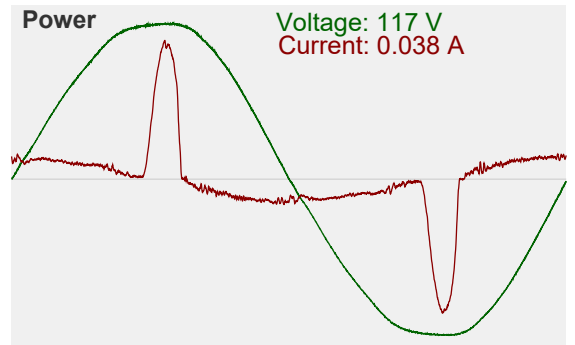
CIE1931
x: 0.162
y: 0.729

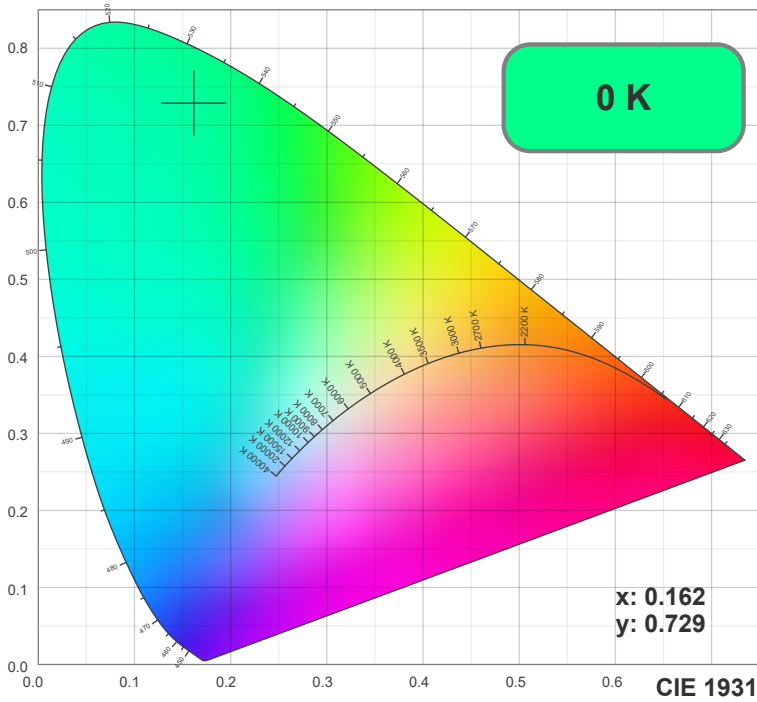


Spectra

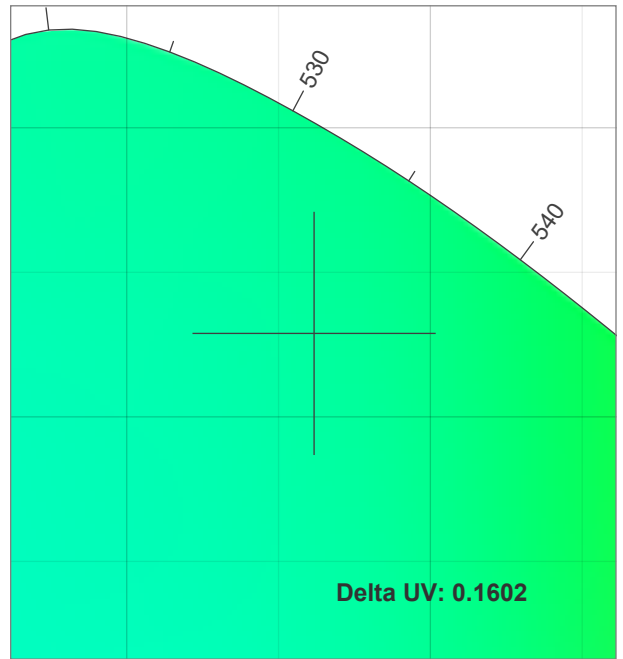


Power

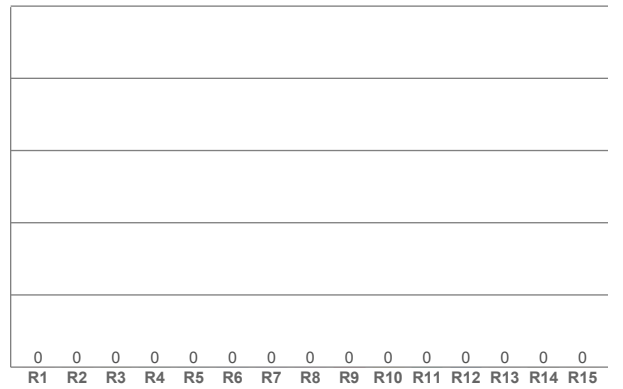
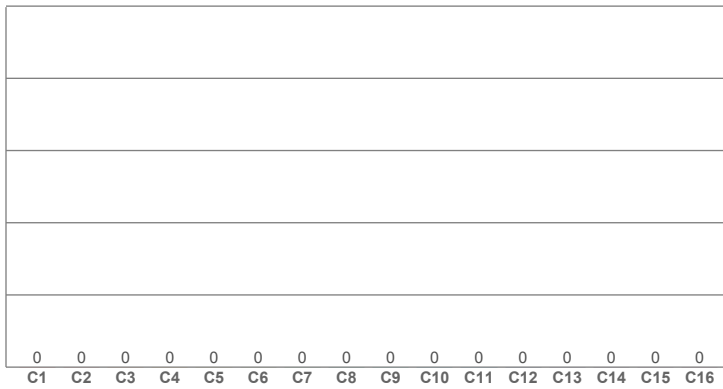




TM30: 0.0



CRI: 0.0 (R1-R8)



CRI R values, only R1-R8 are used to calculate final CRI value

R1	R2	R3	R4	R5	R6	R7	R8	R9	R10	R11	R12	R13	R14	R15
0.00	0.00	0.00	0.00	0.00	0.00	0.00	0.00	0.00	0.00	0.00	0.00	0.00	0.00	0.00

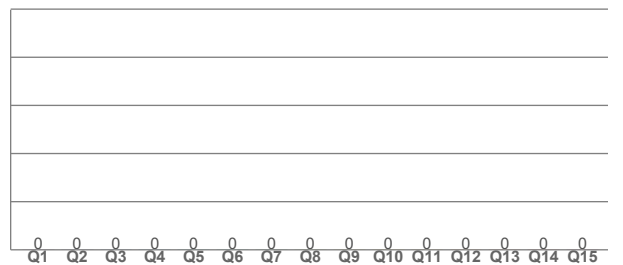
TM30 C values, 16 binned values out of total of 99 C values

C1	C2	C3	C4	C5	C6	C7	C8	C9	C10	C11	C12	C13	C14	C15	C16
0.00	0.00	0.00	0.00	0.00	0.00	0.00	0.00	0.00	0.00	0.00	0.00	0.00	0.00	0.00	0.00

CQS Q values

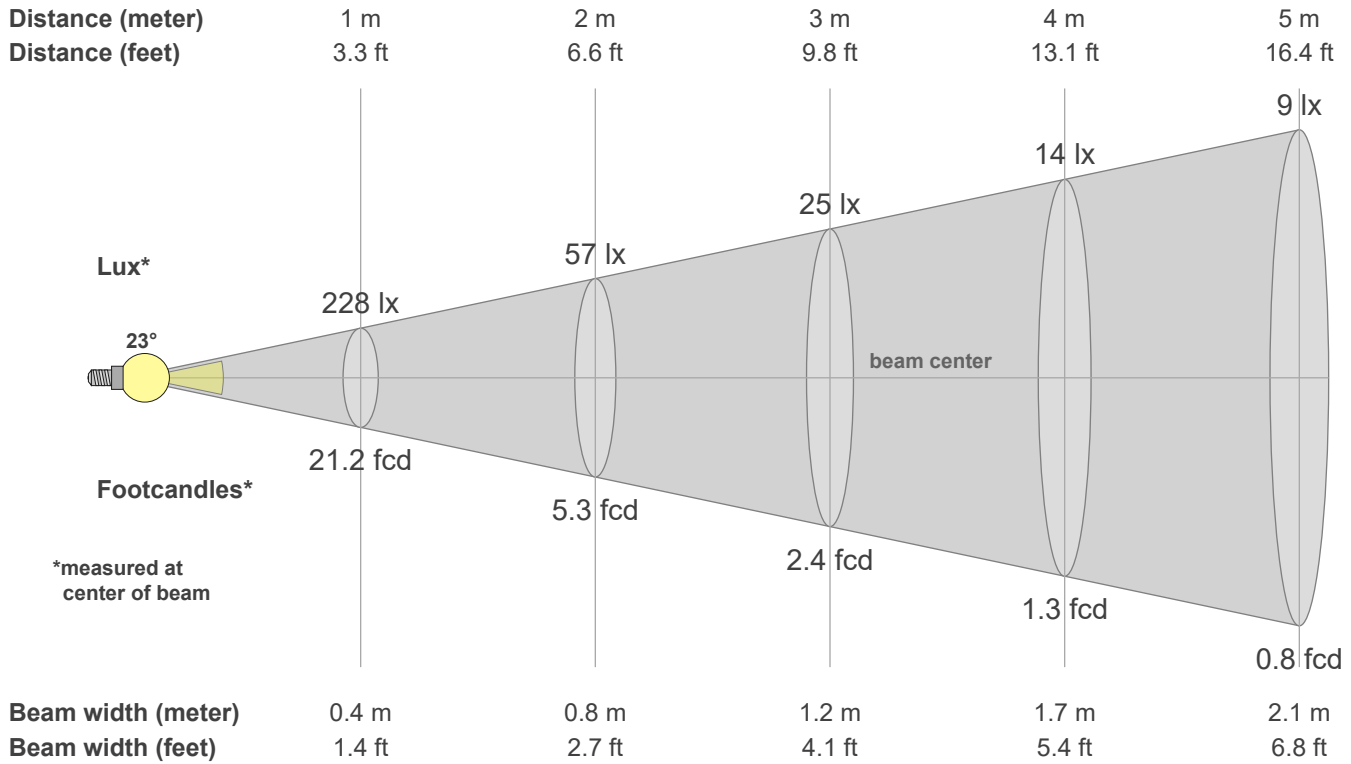
Q1	Q2	Q3	Q4	Q5	Q6	Q7	Q8	Q9	Q10	Q11	Q12	Q13	Q14	Q15
0.00	0.00	0.00	0.00	0.00	0.00	0.00	0.00	0.00	0.00	0.00	0.00	0.00	0.00	0.00

CQS: 0.0



Color parameters

CCT	CRI	CRI R9	TM30 Rf	TM30 Rg	CQS	x	y	u	v	Duv
0 K	0.0	0.0	0.0	0.0	0.0	0.2	0.7	0.1	0.4	NaN



Intensities in 0° c-plane

0°	2°	4°	6°	8°	10°	12°	14°	16°	18°	20°	22°	24°	26°	28°	30°	32°	34°	36°	38°
228	221	202	178	153	130	108	88	71	58	46	35	27	21	15	7	4	3	3	3
100%	97%	89%	78%	67%	57%	47%	39%	31%	25%	20%	15%	12%	9%	7%	3%	2%	1%	1%	1%

Intensities in 90° c-plane

0°	2°	4°	6°	8°	10°	12°	14°	16°	18°	20°	22°	24°	26°	28°	30°	32°	34°	36°	38°
228	224	208	187	162	137	113	91	72	56	43	32	19	7	3	2	1	1	1	1
100%	98%	91%	82%	71%	60%	50%	40%	32%	24%	19%	14%	8%	3%	1%	1%	1%	1%	0%	0%

Intensities in 180° c-plane

0°	2°	4°	6°	8°	10°	12°	14°	16°	18°	20°	22°	24°	26°	28°	30°	32°	34°	36°	38°
228	221	202	178	153	130	108	88	71	58	46	35	27	21	15	7	4	3	3	3
100%	97%	89%	78%	67%	57%	47%	39%	31%	25%	20%	15%	12%	9%	7%	3%	2%	1%	1%	1%

Intensities in 270° c-plane

0°	2°	4°	6°	8°	10°	12°	14°	16°	18°	20°	22°	24°	26°	28°	30°	32°	34°	36°	38°
228	219	201	178	156	134	113	94	78	63	52	42	34	27	22	18	15	12	10	7
100%	96%	88%	78%	68%	59%	50%	41%	34%	28%	23%	18%	15%	12%	10%	8%	7%	5%	4%	3%

Beam angle 50%	Field angle 10%	Cutoff angle 2.5%	Intensity ratio in 120° cone	Intensity ratio in 90° cone
23.3°	51.0°	63.7°	99.5%	97.4%