



HORIZONTAL SINGLE GANG LED STEP LIGHT 100-240V, 2W, 3000K (WARM WHITE)

Specifications



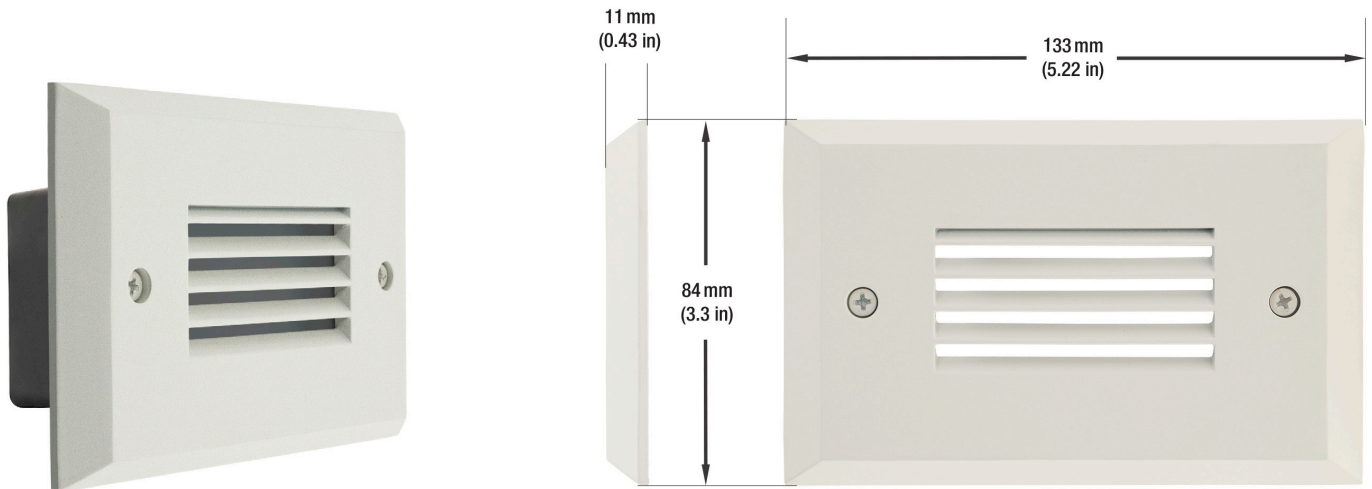
Model:	RT05HV
Voltage:	100-240V AC
Wattage:	2W
Color Temperature:	3000K (Warm White)
Beam Angle:	95°
Available Cover Color:	White - Black - Brushed Nickel
Dimmable:	No
Rendering Index:	CRI>80
IP Rating:	IP67 (Outdoor rated)
Dimensions (Gang Box):	Length: 72mm (2.8") Width: 47.6mm (1.87") Depth: 37.68mm (1.48")
Dimensions (Cover):	Length: 84mm (3.3") Width: 133mm (5.22") Depth: 11mm (0.43")
Certification:	ETL



SKU#: 666561413392

Features

- The Horizontal RT05HV Single Gang LED Step Light/ Pathway Light is a durable outdoor-rated lighting solution suitable for illuminating pathways or steps.
- It has a power consumption of 2W and emits a warm white light with a color temperature of 3000K.
- High color rendering index (CRI) of over 80, ensuring that the colors of illuminated objects appear natural and vibrant.
- The housing of the light is made of polycarbonate (PC) material, making it resistant to damage from environmental factors such as moisture and dust.
- The light is also IP67 rated, which means it can be used in wet locations without any risk of water damage.



Disclaimer

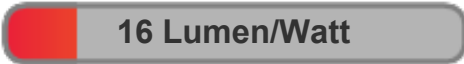
The data and information contained in this specification sheet are subject to change without notice; the ratings supplied are provided based on the product manufacturer. The information contained in this specification sheet should not be considered a warranty, expressed or implied, including, but not limited to, a warranty of merchantability or fitness for a particular purpose. In no event shall LED Lights and Parts be liable for any incidental or consequential damages resulting from the use, misuse, or inability to use the product. This exclusion applies regardless of whether such damages are sought based on breach of warranty, breach of contract, negligence, strict liability in tort, or any other legal theory.



LED Lights and Parts

WORLD OF LED LIGHTS

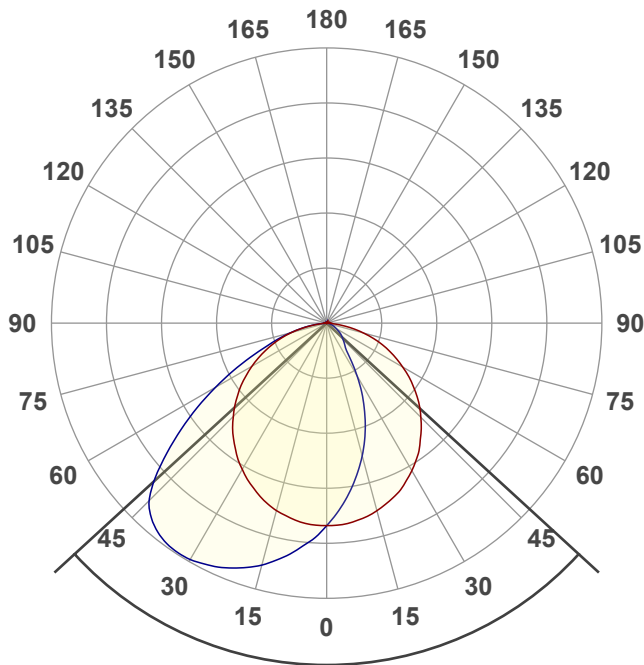
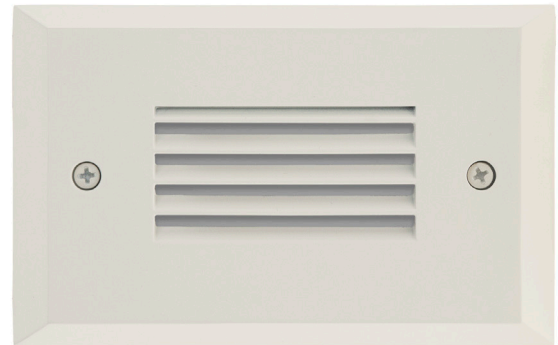
Light efficiency:



Light quality:



Color temperature:



Beam angle

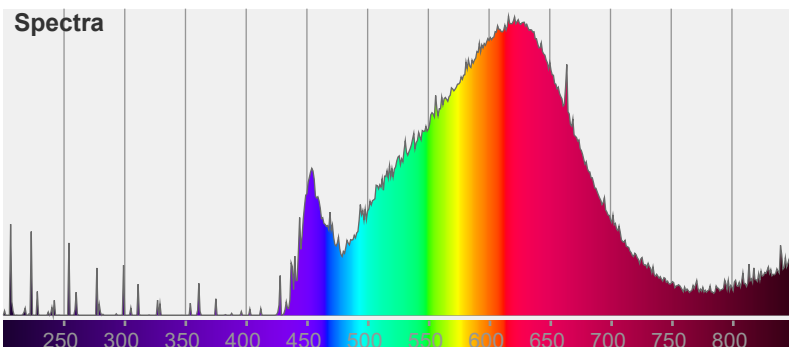
95°

Color



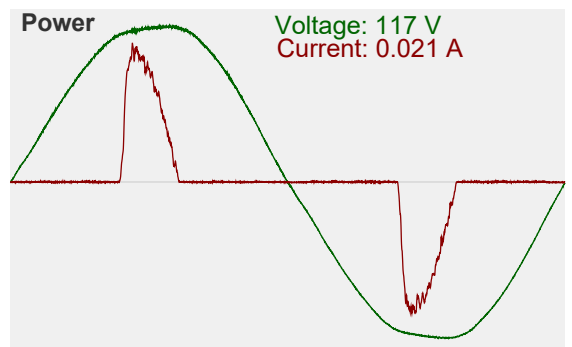
CIE1931
x: 0.443
y: 0.412

Spectra

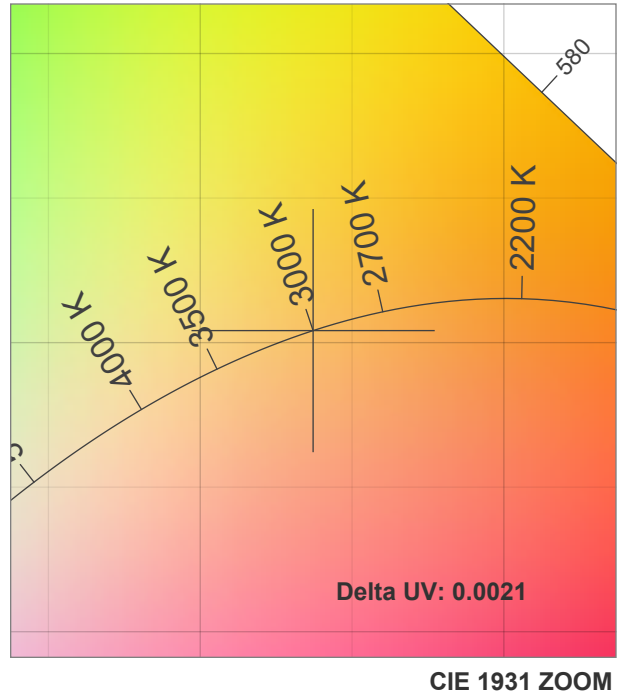
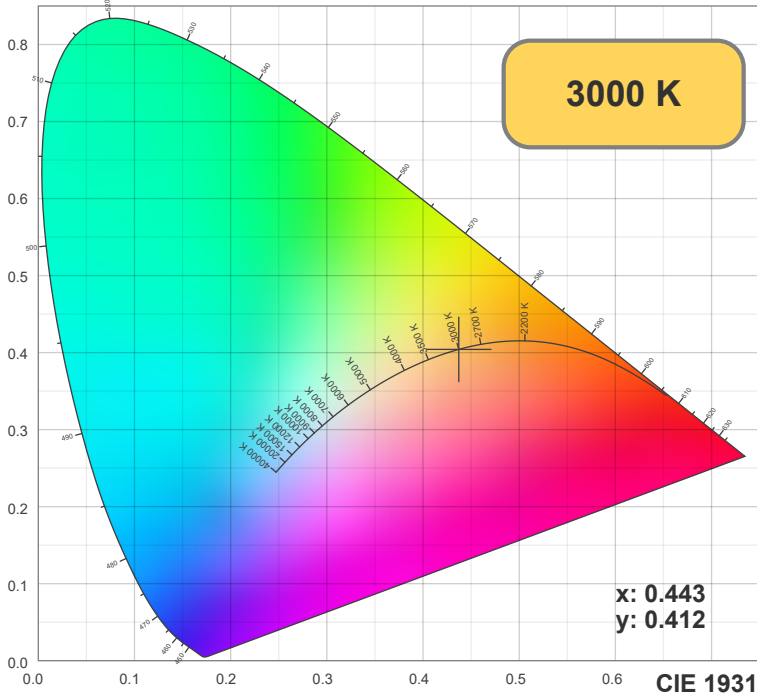


Power

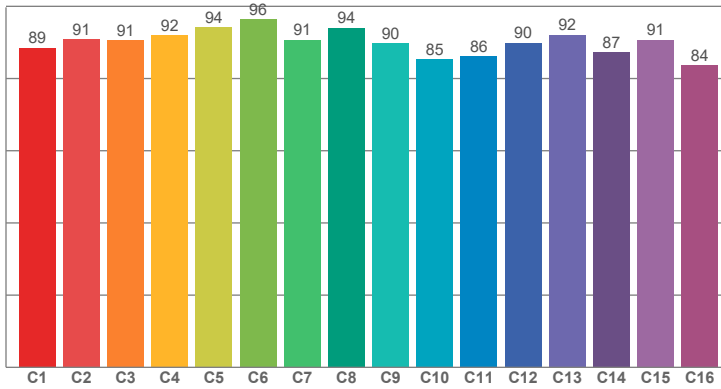
Voltage: 117 V
Current: 0.021 A



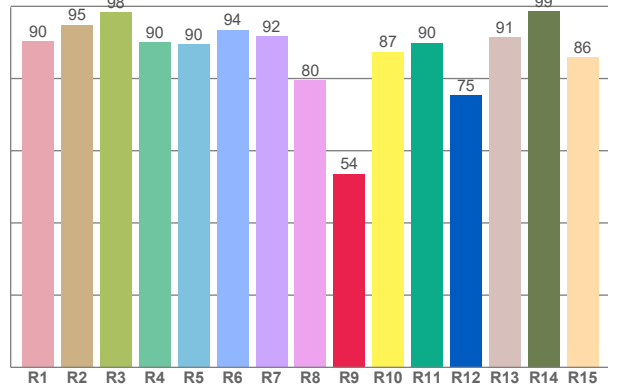
Light measurement was created using the Viso Systems - Light Inspector. www.visosystems.com



TM30: 90.0



CRI: 91.0 (R1-R8)



CRI R values, only R1-R8 are used to calculate final CRI value

R1	R2	R3	R4	R5	R6	R7	R8	R9	R10	R11	R12	R13	R14	R15
90.30	94.89	98.40	89.95	89.53	93.53	91.72	79.56	53.55	87.38	89.90	75.30	91.36	98.58	85.81

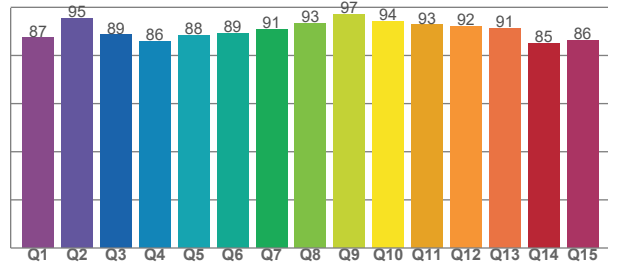
TM30 C values, 16 binned values out of total of 99 C values

C1	C2	C3	C4	C5	C6	C7	C8	C9	C10	C11	C12	C13	C14	C15	C16
88.50	90.85	90.55	91.93	94.14	96.39	90.75	94.01	89.77	85.27	86.12	89.83	92.06	87.20	90.72	83.69

CQS Q values

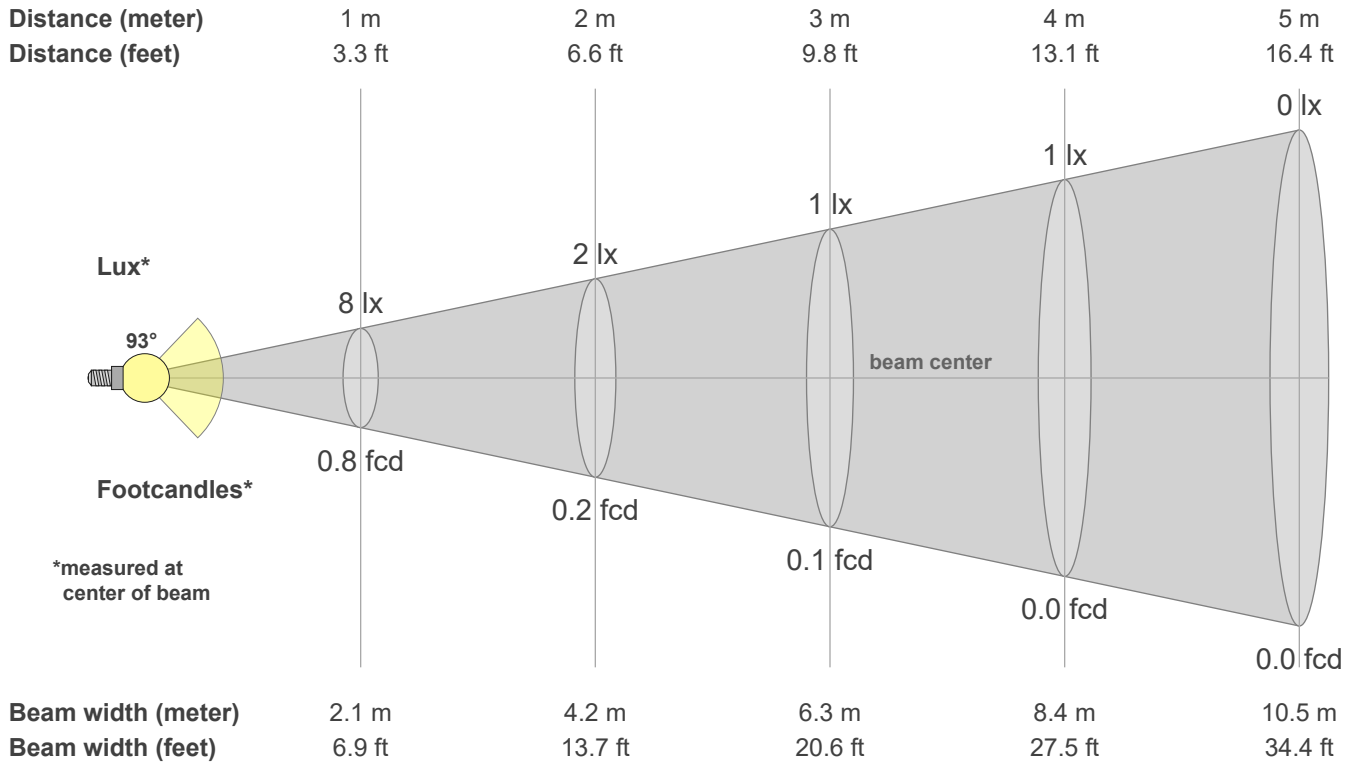
Q1	Q2	Q3	Q4	Q5	Q6	Q7	Q8	Q9	Q10	Q11	Q12	Q13	Q14	Q15
87.26	95.30	88.59	85.99	88.24	89.33	90.72	93.35	97.19	94.19	92.67	91.96	91.31	85.12	86.28

CQS: 89.7



Color parameters

CCT	CRI	CRI R9	TM30 Rf	TM30 Rg	CQS	x	y	u	v	Duv
3000 K	91.0	53.5	90.0	96.5	89.7	0.4	0.4	0.3	0.3	0.0021



Intensities in 0° c-plane

0°	5°	10°	15°	20°	25°	30°	35°	40°	45°	50°	55°	60°	65°	70°	75°	80°	85°	90°	95°
8.3	8.2	8.1	7.9	7.7	7.4	7.0	6.5	6.0	5.4	4.9	4.2	3.6	2.9	2.3	1.6	0.9	0.3	0.0	0.0
100%	100%	98%	96%	93%	89%	84%	79%	72%	66%	59%	51%	43%	36%	27%	19%	10%	3%	0%	0%

Intensities in 90° c-plane

0°	5°	10°	15°	20°	25°	30°	35°	40°	45°	50°	55°	60°	65°	70°	75°	80°	85°	90°	95°
8.3	7.4	6.6	5.6	4.6	3.6	2.5	1.5	1.1	0.9	0.8	0.6	0.5	0.3	0.2	0.2	0.1	0.0	0.0	0.0
100%	90%	79%	68%	56%	43%	30%	18%	14%	11%	10%	8%	6%	4%	3%	2%	1%	0%	0%	0%

Intensities in 180° c-plane

0°	5°	10°	15°	20°	25°	30°	35°	40°	45°	50°	55°	60°	65°	70°	75°	80°	85°	90°	95°
8.3	8.2	8.1	7.9	7.6	7.3	6.9	6.4	5.9	5.4	4.8	4.2	3.5	2.9	2.2	1.5	0.7	0.2	0.0	0.0
100%	100%	98%	96%	92%	88%	83%	78%	72%	65%	58%	51%	43%	35%	26%	18%	9%	2%	0%	0%

Intensities in 270° c-plane

0°	5°	10°	15°	20°	25°	30°	35°	40°	45°	50°	55°	60°	65°	70°	75°	80°	85°	90°	95°
8.3	9.0	9.7	10.2	10.6	11.0	11.2	11.1	10.9	10.3	8.7	7.0	5.2	3.7	2.4	1.5	0.8	0.2	0.0	0.0
100%	109%	117%	124%	129%	132%	135%	135%	132%	124%	105%	84%	63%	45%	29%	19%	10%	2%	0%	0%

Beam angle 50%	Field angle 10%	Cutoff angle 2.5%	Intensity ratio in 120° cone	Intensity ratio in 90° cone
92.7°	139.1°	161.5°	81.7%	56.3%