



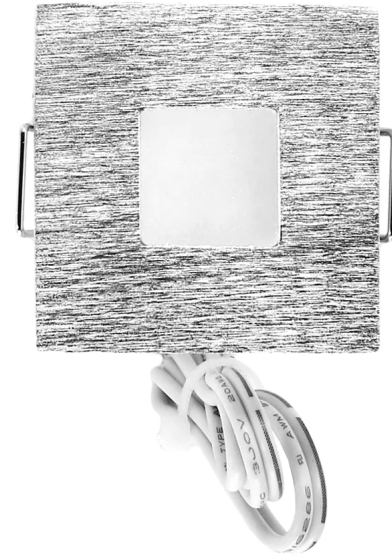
P105-SQ-SN-3000

SQUARE LED STEP LIGHT, 12V 0.6W 3000K (WARM WHITE)

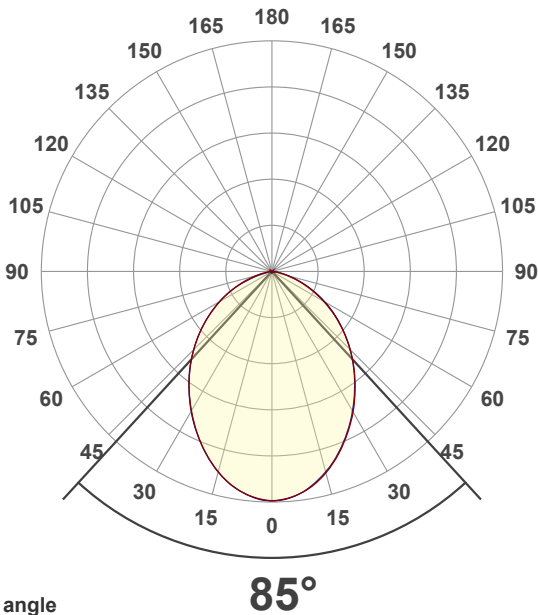
Specifications



Model No.:	P105-SQ-SN-3000
Input Voltage:	12V DC
Wattage:	0.6W
Available Trim Color:	Silver Grey
Color Temperatures:	3000K (Warm White)
Rendering Index:	CRI>80
Luminous Flux:	60 lumens
Wire Length:	30 cm (11.8 in) 20AWG
Material:	Aluminum
Dimmable:	Yes
IP Rating:	IP20 (Indoor rated)
Dimensions:	40 x 50 mm (1.57 x 1.96 in)
Cut Size Diameter:	Ø 25.5 mm (1 in)
Certification:	ETL



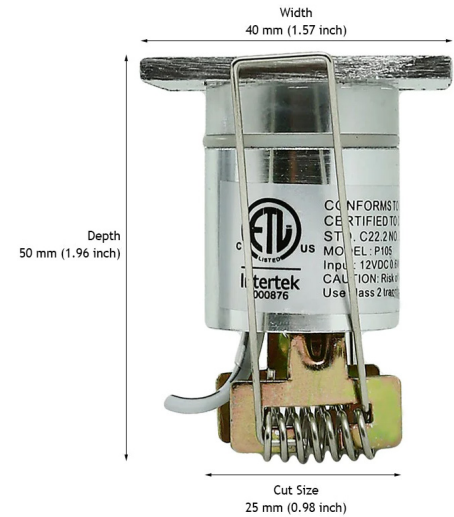
SKU#: 666561412456



Color

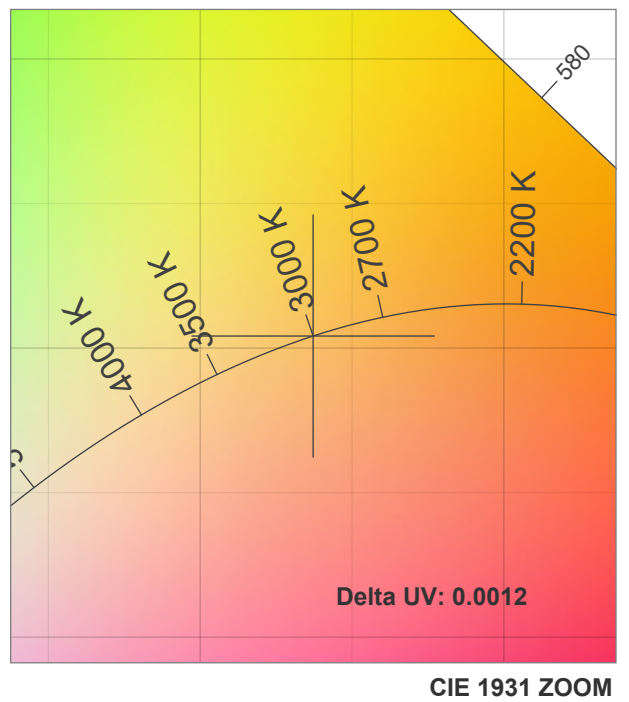
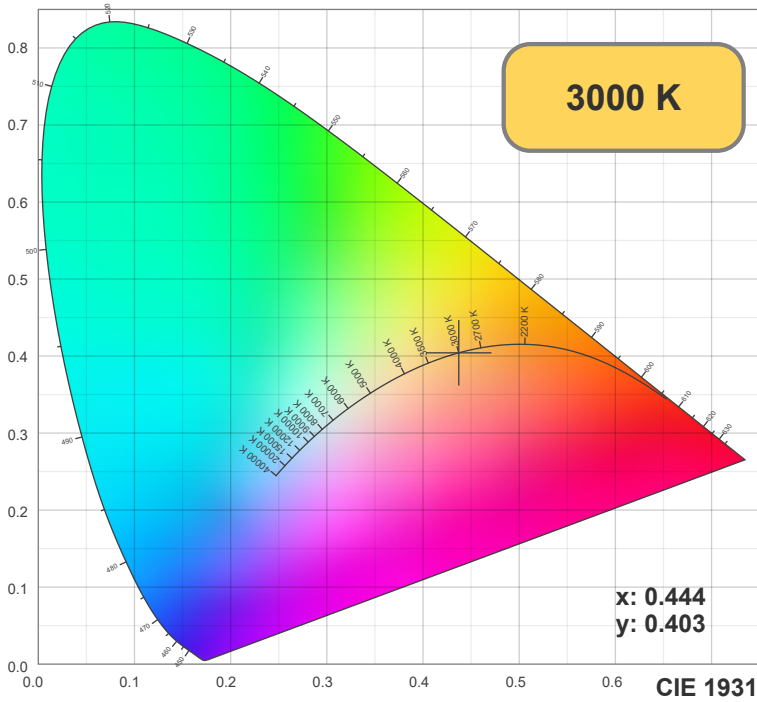
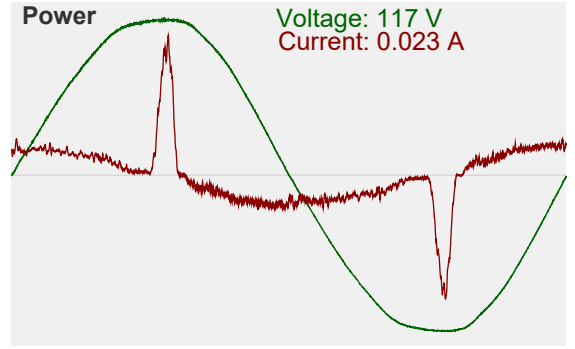
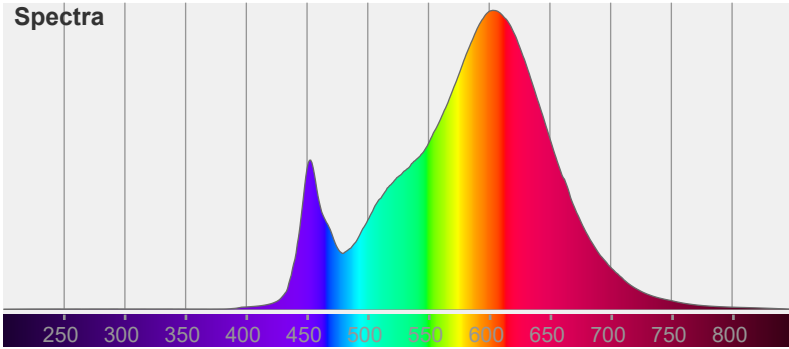


CIE1931
x: 0.444
y: 0.403

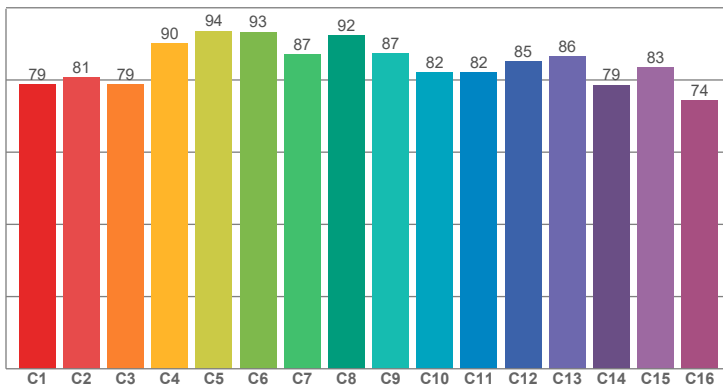


Disclaimer

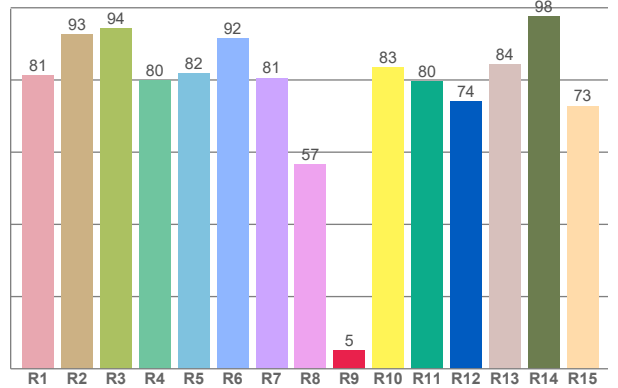
The data and information contained in this specification sheet are subject to change without notice; the ratings supplied are provided based on the product manufacturer. The information contained in this specification sheet should not be considered a warranty, expressed or implied, including, but not limited to, a warranty of merchantability or fitness for a particular purpose. In no event shall LED Lights and Parts be liable for any incidental or consequential damages resulting from the use, misuse, or inability to use the product. This exclusion applies regardless of whether such damages are sought based on breach of warranty, breach of contract, negligence, strict liability in tort, or any other legal theory.



TM30: 84.5



CRI: 82.3 (R1-R8)





CRI R values, only R1-R8 are used to calculate final CRI value

R1	R2	R3	R4	R5	R6	R7	R8	R9	R10	R11	R12	R13	R14	R15
81.34	92.58	94.20	79.88	81.74	91.53	80.56	56.59	5.08	83.38	79.69	74.04	84.26	97.57	72.79

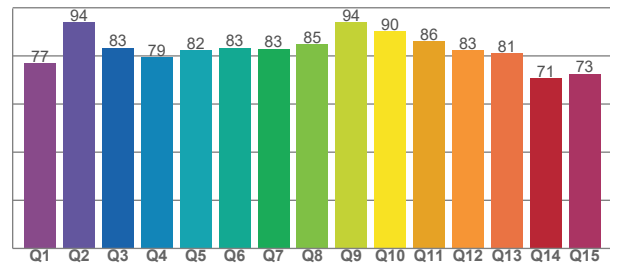
TM30 C values, 16 binned values out of total of 99 C values

C1	C2	C3	C4	C5	C6	C7	C8	C9	C10	C11	C12	C13	C14	C15	C16
78.83	80.71	78.77	90.07	93.55	93.33	87.04	92.38	87.44	82.12	82.14	85.19	86.46	78.61	83.46	74.36

CQS Q values

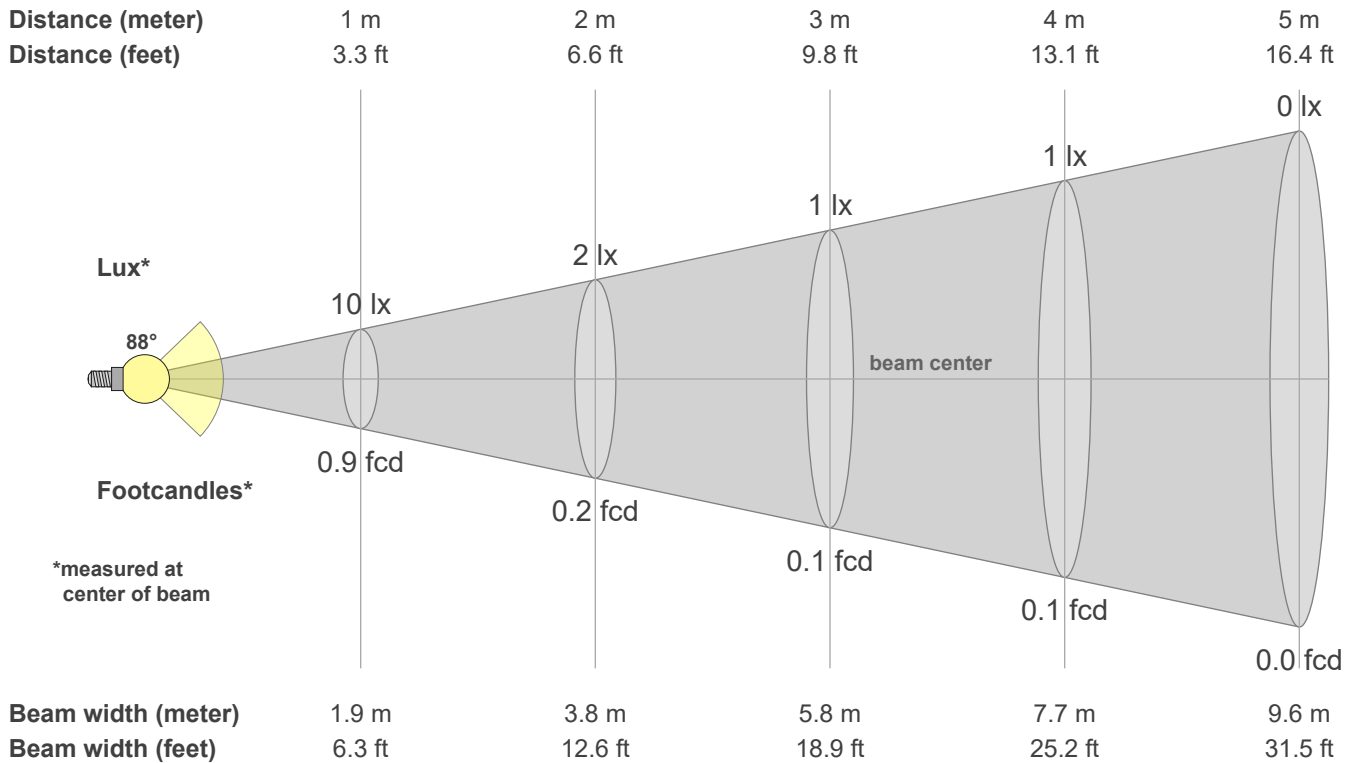
Q1	Q2	Q3	Q4	Q5	Q6	Q7	Q8	Q9	Q10	Q11	Q12	Q13	Q14	Q15
76.89	93.96	83.47	79.35	82.33	83.47	83.01	84.98	94.19	90.23	86.04	82.52	81.21	70.59	72.61

CQS: 81.7



Color parameters

CCT	CRI	CRI R9	TM30 Rf	TM30 Rg	CQS	x	y	u	v	Duv
3000 K	82.3	5.1	84.5	95.1	81.7	0.4	0.4	0.3	0.3	-0.0012



Intensities in 0° c-plane

0°	5°	10°	15°	20°	25°	30°	35°	40°	45°	50°	55°	60°	65°	70°	75°	80°	85°	90°	95°
9.75	9.64	9.35	8.88	8.28	7.61	6.91	6.17	5.44	4.71	3.98	3.25	2.54	1.85	1.23	0.68	0.33	0.09	0.00	0.00
100%	99%	96%	91%	85%	78%	71%	63%	56%	48%	41%	33%	26%	19%	13%	7%	3%	1%	0%	0%



Intensities in 90° c-plane

0°	5°	10°	15°	20°	25°	30°	35°	40°	45°	50°	55°	60°	65°	70°	75°	80°	85°	90°	95°
9.75	9.63	9.30	8.82	8.24	7.57	6.86	6.14	5.42	4.71	4.00	3.30	2.61	1.93	1.30	0.75	0.34	0.10	0.01	0.00
100%	99%	95%	91%	84%	78%	70%	63%	56%	48%	41%	34%	27%	20%	13%	8%	3%	1%	0%	0%

Intensities in 180° c-plane

0°	5°	10°	15°	20°	25°	30°	35°	40°	45°	50°	55°	60°	65°	70°	75°	80°	85°	90°	95°
9.75	9.63	9.32	8.84	8.24	7.56	6.86	6.15	5.45	4.71	3.99	3.27	2.58	1.91	1.27	0.72	0.32	0.07	0.00	0.00
100%	99%	96%	91%	85%	78%	70%	63%	56%	48%	41%	34%	26%	20%	13%	7%	3%	1%	0%	0%

Intensities in 270° c-plane

0°	5°	10°	15°	20°	25°	30°	35°	40°	45°	50°	55°	60°	65°	70°	75°	80°	85°	90°	95°
9.75	9.62	9.30	8.82	8.23	7.57	6.87	6.15	5.43	4.71	3.99	3.27	2.58	1.87	1.13	0.48	0.11	0.01	0.00	0.00
100%	99%	95%	90%	84%	78%	70%	63%	56%	48%	41%	34%	26%	19%	12%	5%	1%	0%	0%	0%

Beam angle 50%	Field angle 10%	Cutoff angle 2.5%	Intensity ratio in 120° cone	Intensity ratio in 90° cone
87.7°	144.4°	161.0°	86.5%	63.0%