



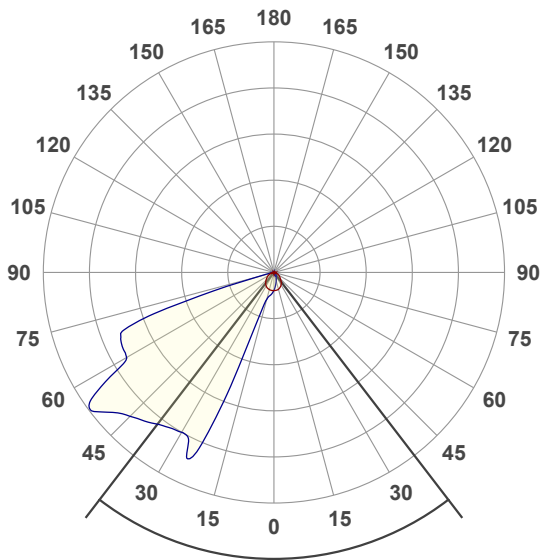
STEP LIGHT SQUARE 1W 12V 3000K (WARM WHITE)

Specifications

Input Voltage:	12V DC
Wattage:	1W
Available Trim Colors:	Brushed Aluminum
Color Temperatures:	3000K (Warm White)
Material:	Aluminum
IP Rating:	IP20 (Indoor)
Rendering Index:	CRI>80
Luminous Flux:	80-100 lumens
Dimmable:	Yes
Wire Length:	223 mm (9 in) 20AWG
Dimensions:	79.6 x 79 x 23.25 mm (3.1 x 3.1 x 0.9 in)
Cut Size Diameter:	55 x 28 mm (2.1 x 1.1 in)



SKU#: 666561404529



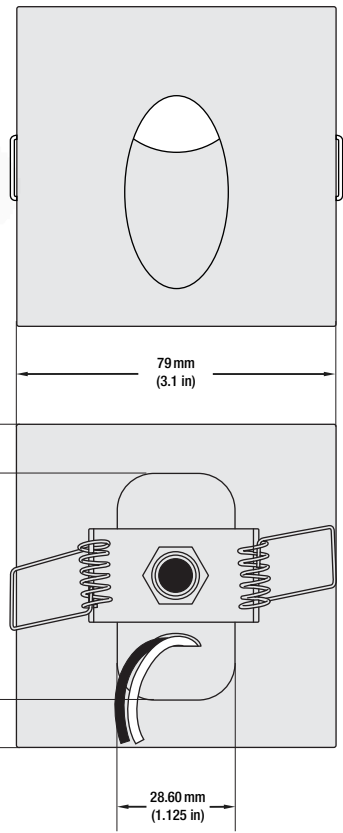
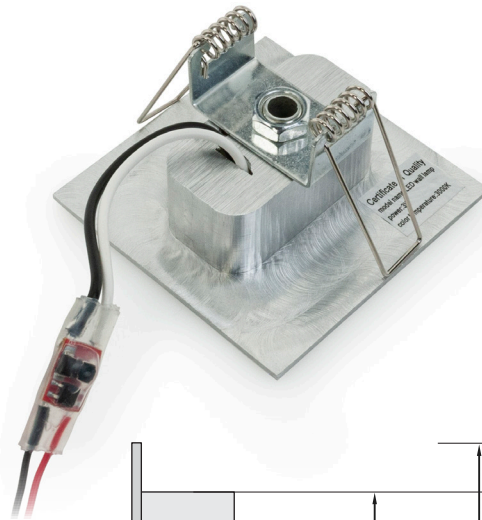
Beam angle

75°

Color

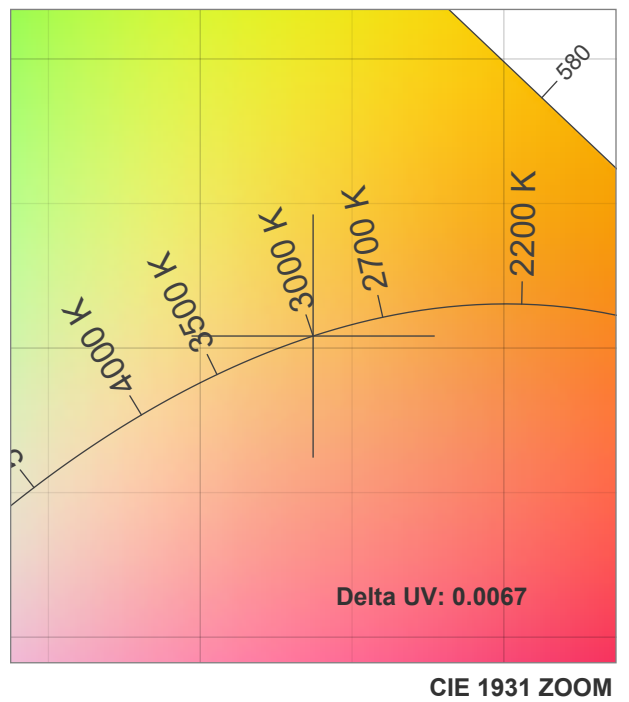
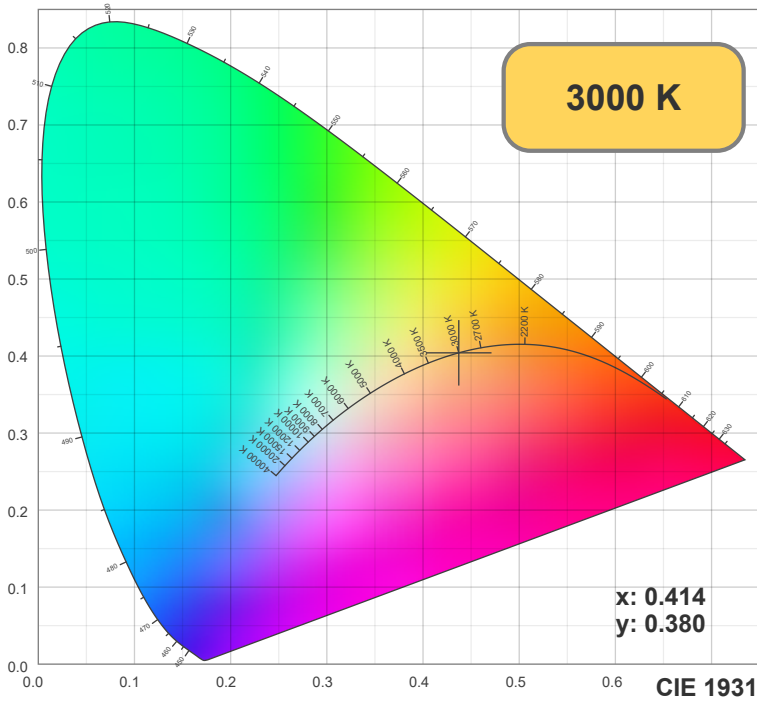
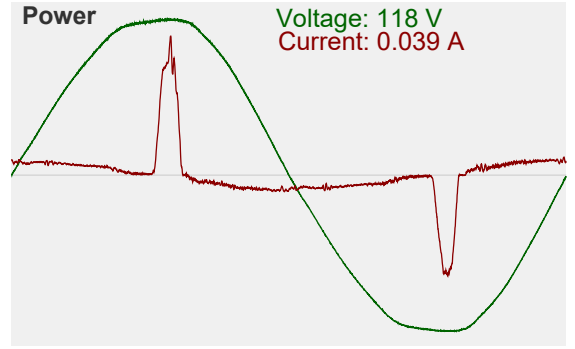
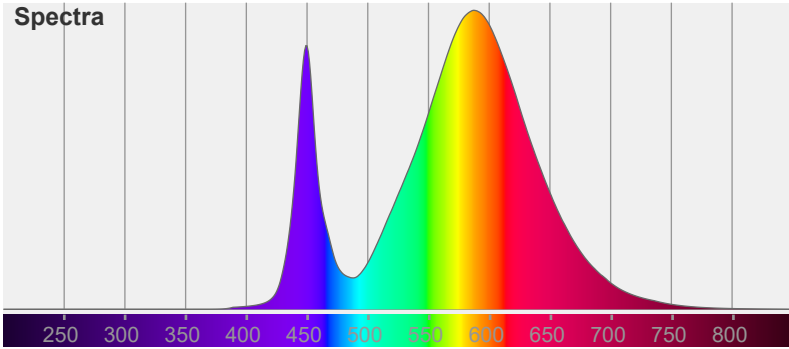


CIE1931
x: 0.414
y: 0.380

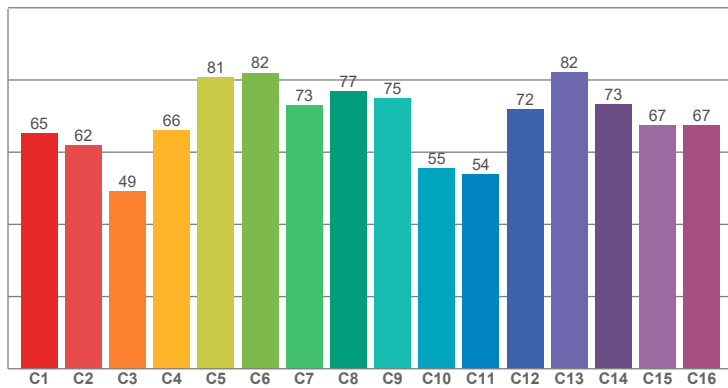


Disclaimer

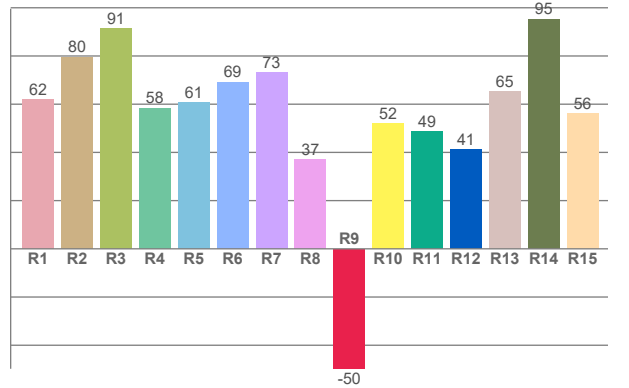
The data and information contained in this specification sheet are subject to change without notice; the ratings supplied are provided based on the product manufacturer. The information contained in this specification sheet should not be considered a warranty, expressed or implied, including, but not limited to, a warranty of merchantability or fitness for a particular purpose. In no event shall LED Lights and Parts be liable for any incidental or consequential damages resulting from the use, misuse, or inability to use the product. This exclusion applies regardless of whether such damages are sought based on breach of warranty, breach of contract, negligence, strict liability in tort, or any other legal theory.



TM30: 68.0



CRI: 66.4 (R1-R8)





CRI R values, only R1-R8 are used to calculate final CRI value

R1	R2	R3	R4	R5	R6	R7	R8	R9	R10	R11	R12	R13	R14	R15
61.96	79.64	91.31	58.41	60.63	69.24	73.22	36.98	-49.76	51.93	48.63	41.28	65.38	95.32	56.16

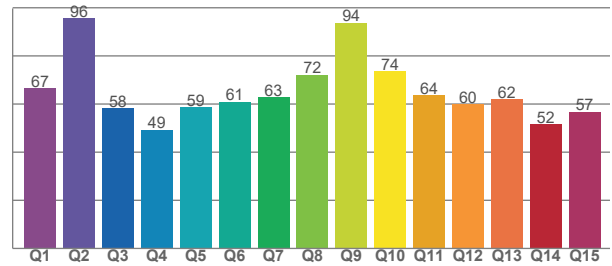
TM30 C values, 16 binned values out of total of 99 C values

C1	C2	C3	C4	C5	C6	C7	C8	C9	C10	C11	C12	C13	C14	C15	C16
65.12	61.84	49.18	66.02	80.77	81.94	72.87	76.76	74.89	55.46	53.85	71.90	82.01	73.32	67.38	67.41

CQS Q values

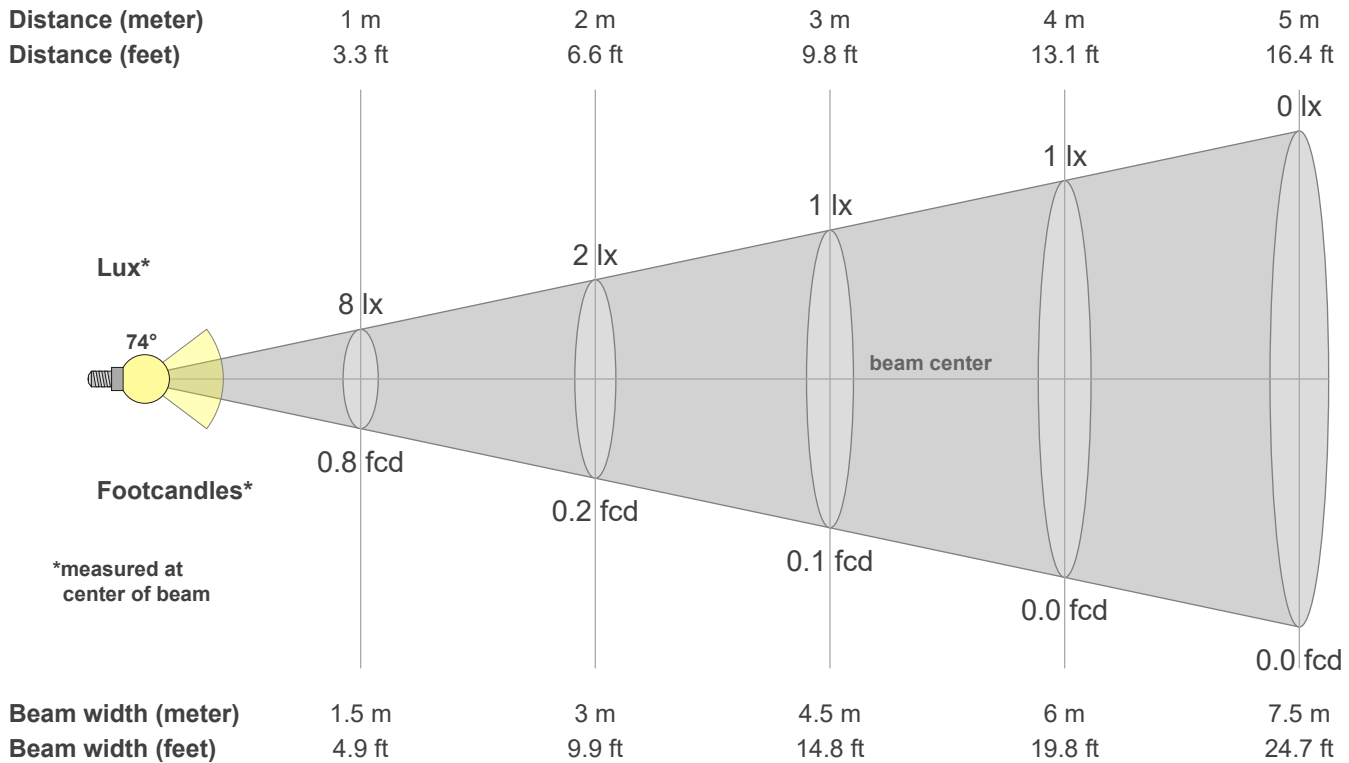
Q1	Q2	Q3	Q4	Q5	Q6	Q7	Q8	Q9	Q10	Q11	Q12	Q13	Q14	Q15
66.74	95.72	58.37	49.34	58.68	61.02	62.73	72.25	93.85	73.63	63.53	59.93	62.09	51.77	56.84

CQS: 63.3



Color parameters

CCT	CRI	CRI R9	TM30 Rf	TM30 Rg	CQS	x	y	u	v	Duv
3000 K	66.4	-49.8	68.0	92.7	63.3	0.4	0.4	0.3	0.3	-0.0067



Intensities in 0° c-plane

0°	5°	10°	15°	20°	25°	30°	35°	40°	45°	50°	55°	60°	65°	70°	75°	80°	85°	90°	95°
8	8	8	8	8	7	7	6	5	4	4	3	3	2	2	1	1	0	0	0
100%	100%	99%	97%	92%	87%	79%	71%	61%	51%	44%	38%	31%	25%	19%	13%	8%	4%	0%	0%



Intensities in 90° c-plane

0°	5°	10°	15°	20°	25°	30°	35°	40°	45°	50°	55°	60°	65°	70°	75°	80°	85°	90°	95°
8	7	5	4	3	2	2	2	1	1	0	0	0	0	0	0	0	0	0	0
100%	80%	62%	49%	38%	29%	22%	20%	13%	9%	6%	3%	2%	2%	1%	1%	0%	0%	0%	0%

Intensities in 180° c-plane

0°	5°	10°	15°	20°	25°	30°	35°	40°	45°	50°	55°	60°	65°	70°	75°	80°	85°	90°	95°
8	8	8	8	8	8	7	7	6	5	4	4	3	2	2	1	1	0	0	0
100%	101%	100%	99%	96%	92%	86%	79%	71%	62%	54%	46%	38%	30%	22%	16%	10%	5%	1%	0%

Intensities in 270° c-plane

0°	5°	10°	15°	20°	25°	30°	35°	40°	45°	50°	55°	60°	65°	70°	75°	80°	85°	90°	95°
8	10	11	13	41	94	84	86	89	93	99	102	78	77	66	8	2	1	0	0
100%	117%	131%	156%	502%	1138%	1027%	1046%	1086%	1130%	1208%	1244%	954%	934%	800%	94%	23%	15%	1%	0%

Beam angle 50%	Field angle 10%	Cutoff angle 2.5%	Intensity ratio in 120° cone	Intensity ratio in 90° cone
74.0°	111.8°	137.5°	73.6%	40.0%