



2" ROUND RECESSED LED IN-GROUND LIGHT

12-24V 1X3W RGB

Specifications



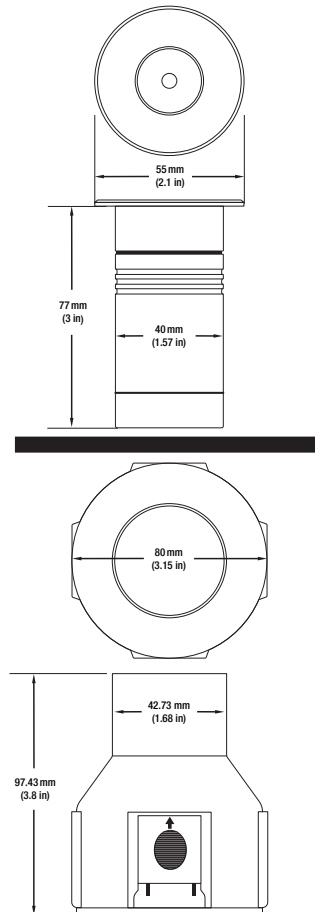
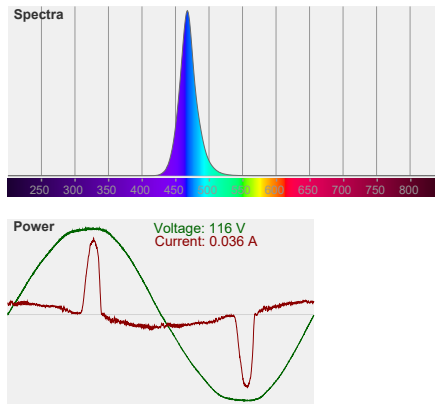
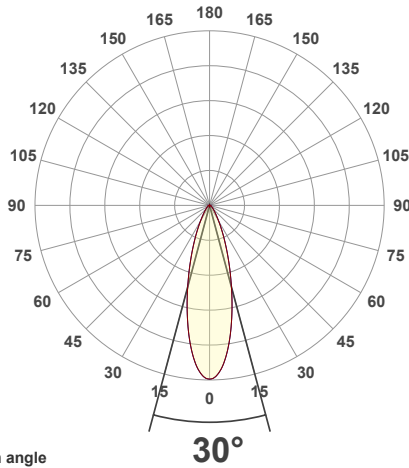
Model No.:	B2WDR0118A
Input Voltage:	12-24V DC
Wattage:	1 x 3W
Color Temperatures:	RGB
LED Type:	Integrated COB LED
Housing Material:	Die-cast Aluminum body
Cap Color Finish:	Stainless Steel
Beam Angle:	30°
IP Rating:	IP67 (Outdoor rated)
Dimmable:	Yes
Dimensions without Housing (Engine):	Base Diameter: 40mm (1.57in) Height: 77mm (3.1in) Diameter: 55mm (2.15in)
Dimensions with Housing:	Base Diameter: 80mm (3.1in) Overall Height: 97mm (3.8in) Diameter: 55mm (2.15in)
Cut Size	35mm (1.34in)
Cable Size	Length: 55cm (3.2ft) Diameter: 7.5mm (0.29in) 18AWG
Certification:	CE



SKU#: 666561403355

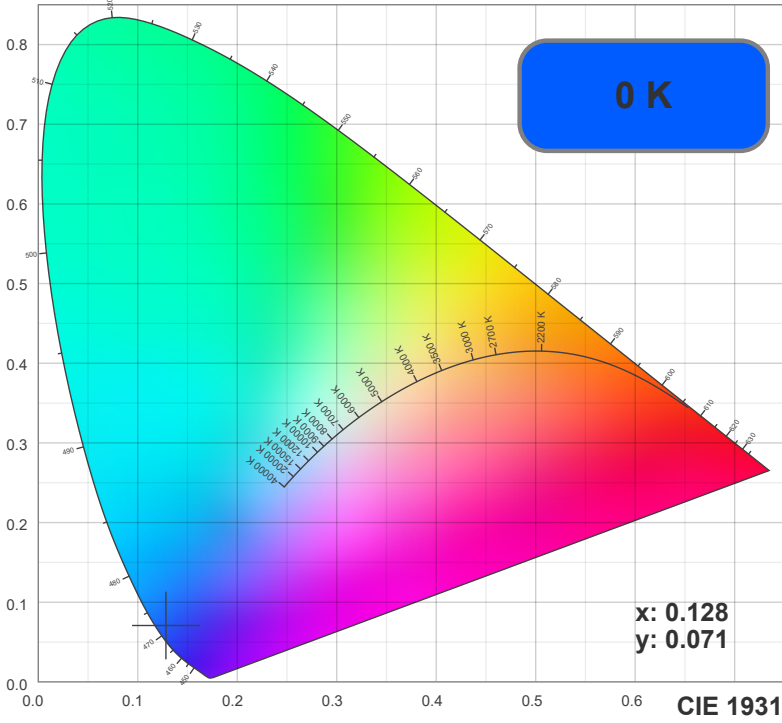
Features

- Compatible with both 12 and 24V power sources for maximum flexibility.
- Features an RGB controller, providing a broad range of secondary colors to choose from.
- Seamlessly integrates into a wide variety of outdoor applications, such as walk ways, garden lighting, and more.
- Offers both functional illumination and a unique ambiance to enhance outdoor spaces.
- Allows for maximum flexibility in power options with single or multiple LED light transformers available in both dimmable and non-dimmable options.
- Resilient to being stepped upon and suitable for all types of weather conditions with its IP67 rating, ensuring the light stays lit even in harsh weather.
- Comes with a housing for optional installation, adding to its aesthetic appeal.
- Popularly installed as LED pathway lights, pool deck lights, and patio lights.

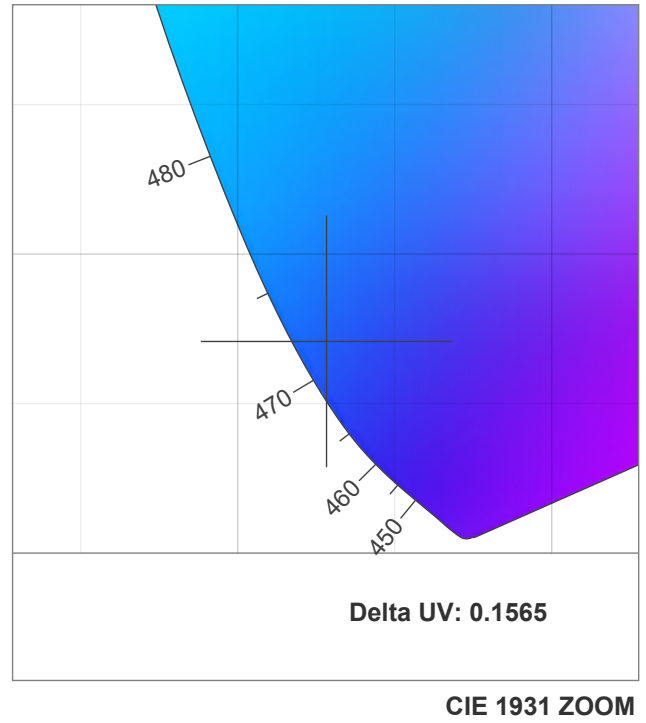


Disclaimer

The data and information contained in this specification sheet are subject to change without notice; the ratings supplied are provided based on the product manufacturer. The information contained in this specification sheet should not be considered a warranty, expressed or implied, including, but not limited to, a warranty of merchantability or fitness for a particular purpose. In no event shall LED Lights and Parts be liable for any incidental or consequential damages resulting from the use, misuse, or inability to use the product. This exclusion applies regardless of whether such damages are sought based on breach of warranty, breach of contract, negligence, strict liability in tort, or any other legal theory.



TM30: 0.0



CRI: 0.0 (R1-R8)

C1	C2	C3	C4	C5	C6	C7	C8	C9	C10	C11	C12	C13	C14	C15	C16
0	0	0	0	0	0	0	0	0	0	0	0	0	0	0	0

R1	R2	R3	R4	R5	R6	R7	R8	R9	R10	R11	R12	R13	R14	R15
0	0	0	0	0	0	0	0	0	0	0	0	0	0	0

CRI R values, only R1-R8 are used to calculate final CRI value

R1	R2	R3	R4	R5	R6	R7	R8	R9	R10	R11	R12	R13	R14	R15
0.00	0.00	0.00	0.00	0.00	0.00	0.00	0.00	0.00	0.00	0.00	0.00	0.00	0.00	0.00

TM30 C values, 16 binned values out of total of 99 C values

C1	C2	C3	C4	C5	C6	C7	C8	C9	C10	C11	C12	C13	C14	C15	C16
0.00	0.00	0.00	0.00	0.00	0.00	0.00	0.00	0.00	0.00	0.00	0.00	0.00	0.00	0.00	0.00

CQS Q values

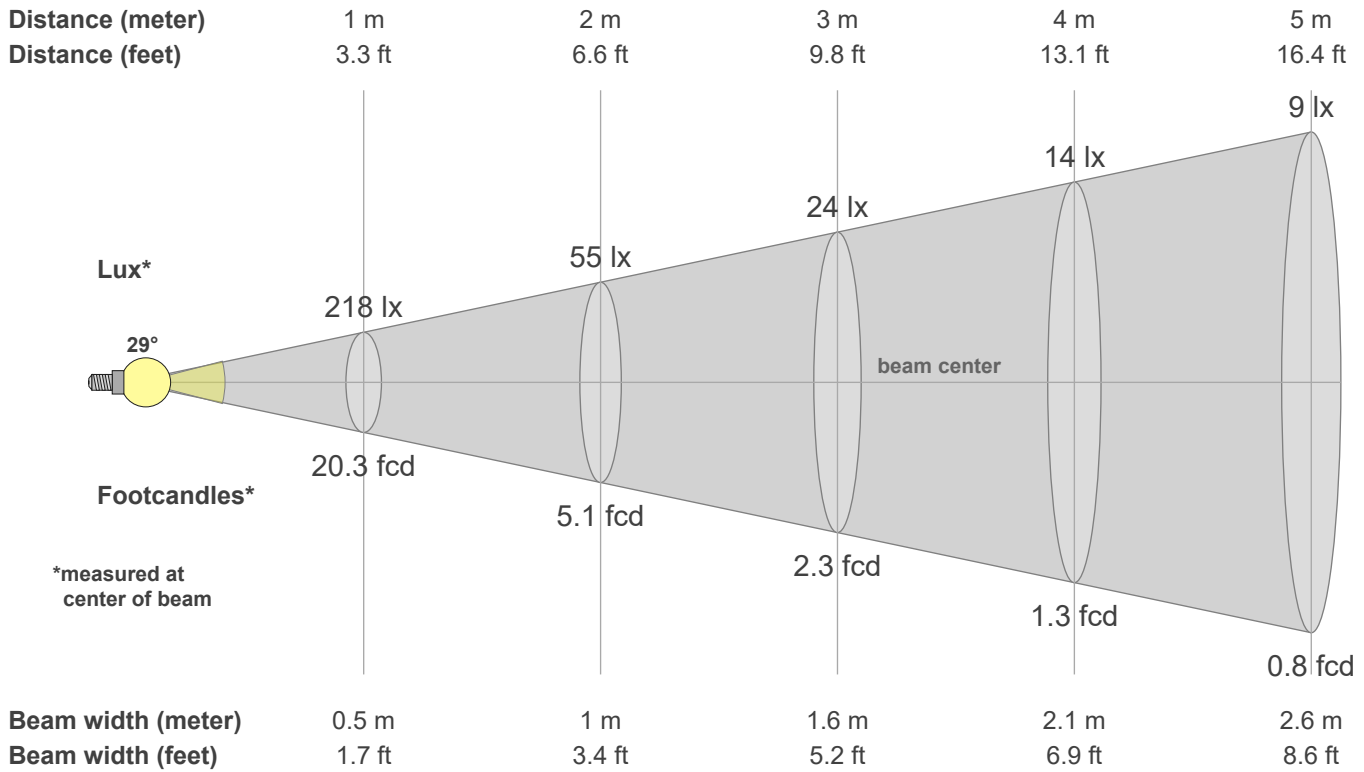
Q1	Q2	Q3	Q4	Q5	Q6	Q7	Q8	Q9	Q10	Q11	Q12	Q13	Q14	Q15
0.00	0.00	0.00	0.00	0.00	0.00	0.00	0.00	0.00	0.00	0.00	0.00	0.00	0.00	0.00

CQS: 0.0

Q1	Q2	Q3	Q4	Q5	Q6	Q7	Q8	Q9	Q10	Q11	Q12	Q13	Q14	Q15
0	0	0	0	0	0	0	0	0	0	0	0	0	0	0

Color parameters

CCT	CRI	CRI R9	TM30 Rf	TM30 Rg	CQS	x	y	u	v	Duv
0 K	0.0	0.0	0.0	0.0	0.0	0.1	0.1	0.1	0.1	NaN



Intensities in 0° c-plane

0°	2°	4°	6°	8°	10°	12°	14°	16°	18°	20°	22°	24°	26°	28°	30°	32°	34°	36°	38°
218	215	207	193	175	156	136	116	97	81	66	54	44	35	29	23	19	15	13	11
100%	99%	95%	88%	80%	71%	62%	53%	45%	37%	30%	25%	20%	16%	13%	10%	9%	7%	6%	5%

Intensities in 90° c-plane

0°	2°	4°	6°	8°	10°	12°	14°	16°	18°	20°	22°	24°	26°	28°	30°	32°	34°	36°	38°
218	215	207	193	175	156	136	116	97	81	66	54	44	35	29	23	19	15	13	11
100%	99%	95%	88%	80%	71%	62%	53%	45%	37%	30%	25%	20%	16%	13%	10%	9%	7%	6%	5%

Intensities in 180° c-plane

0°	2°	4°	6°	8°	10°	12°	14°	16°	18°	20°	22°	24°	26°	28°	30°	32°	34°	36°	38°
218	215	207	193	175	156	136	116	97	81	66	54	44	35	29	23	19	15	13	11
100%	99%	95%	88%	80%	71%	62%	53%	45%	37%	30%	25%	20%	16%	13%	10%	9%	7%	6%	5%

Intensities in 270° c-plane

0°	2°	4°	6°	8°	10°	12°	14°	16°	18°	20°	22°	24°	26°	28°	30°	32°	34°	36°	38°
218	215	207	193	175	156	136	116	97	81	66	54	44	35	29	23	19	15	13	11
100%	99%	95%	88%	80%	71%	62%	53%	45%	37%	30%	25%	20%	16%	13%	10%	9%	7%	6%	5%

Beam angle 50%	Field angle 10%	Cutoff angle 2.5%	Intensity ratio in 120° cone	Intensity ratio in 90° cone
29.4°	60.9°	94.5°	96.9%	90.7%