



3X1W LANDSCAPE LIGHT, 12V 3W RED



Specifications



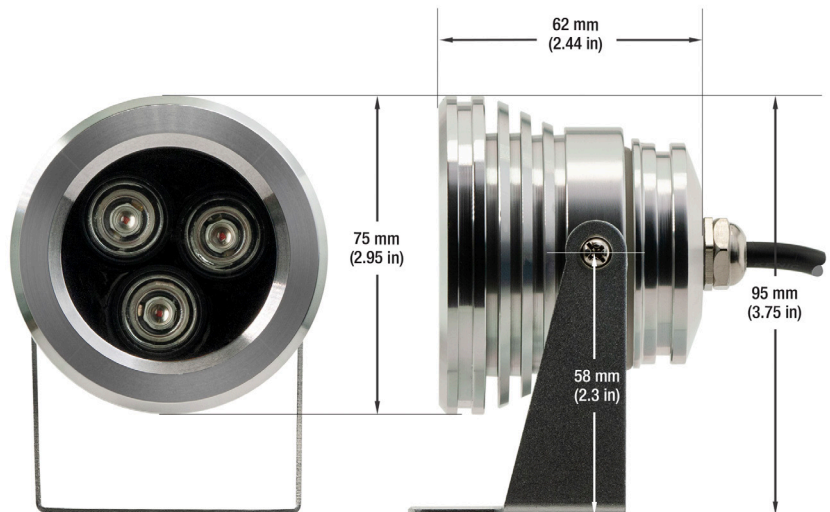
Input Voltage:	12V DC
Wattage:	3W
Color:	Red
Light Source:	3 x 1W LEDs
Body Material:	Aluminum
Tilt Angle:	330°
IP Rating:	IP65 (Suitable for wet locations)
Dimensions:	Ø75mm x 62mm x 95mm (2.95" x 2.44" x 3.75")
Certification:	CE



SKU: 666561403256

Features

- This product is used in outdoor landscaping applications such as tree lighting, path lighting, spot lighting, and so on.
- Available in three colors, namely yellow, blue, and red.
- It comes with a two-year warranty.



Disclaimer

The data and information contained in this specification sheet are subject to change without notice; the ratings supplied are provided based on the product manufacturer. The information contained in this specification sheet should not be considered a warranty, expressed or implied, including, but not limited to, a warranty of merchantability or fitness for a particular purpose. In no event shall LED Lights and Parts be liable for any incidental or consequential damages resulting from the use, misuse, or inability to use the product. This exclusion applies regardless of whether such damages are sought based on breach of warranty, breach of contract, negligence, strict liability in tort, or any other legal theory.