

BUTURE

USER MANUAL

VC10 Cordless Vacuum Cleaner

tech-support@ibuture.com



LANGUAGE

English01-17

Deutsch18-35

Italiano36-52

Français53-70

Español71-87

日本語88-104

CONTENT

1. WARNING	01
2. PACKAGE CONTENT	02
3. KNOW YOUR PRODUCT	03
3.1 Product Details	
3.2 Digital Display Screen	
3.3 Accessories Function Introduction	
4. PRODUCT ASSEMBLING DIAGRAM	06
4.1 Install desired cleaning accessory	
4.2 Wall-Mounted Plate Assembling Diagram	
5. HOW TO USE	08
5.1 Charging	
5.2 Operating	
5.3 Machine protection and error code indication	
6. MAINTENANCE	12
6.1 Main body (non-washable parts) cleaning	
6.2 Dust cup & HEPA filter cleaning	
7. SPECIFICATION	16
8. TROUBLESHOOTING	16
9. WARRANTY	17

1.WARNING

Thank you for purchasing the BUTURE VC10 cordless vacuum cleaner. **Before using this machine, please read the following safety warning first and take safety protection measures to avoid malfunctions caused by improper operation.**

- ① This BUTURE appliance is not intended for use by persons (including children) with reduced physical, sensory or mental capabilities, or lack of experience and knowledge, unless they have been given supervision or instruction by a responsible person concerning use of the appliance to ensure that they can use it safely.
- ② Suitable for dry locations only. Do not use or store outdoors with wet surfaces. Do not handle any part of the plug or appliance with wet hands. Store properly in a dry place indoors.
- ③ Do not use a damaged cable or plug. If the device or charger does not work properly, dropped, damaged, missed or dropped into water, please contact tech-support@ibuture.com , BUTURE after-sales team for support.
- ④ Do not vacuum flammable or combustible liquids, such as petrol, or use in areas where liquids may be present.
- ⑤ Turn off the power switch before plug or unplug the adapter.
- ⑥ Do not vacuum anything that is burning or smoking, such as cigarettes, matches or hot ashes
- ⑦ Do not use without filters or dust cup to avoid damaging the motor and contaminating the air. Wash hands after using the vacuum cleaner.
- ⑧ **FIRE WARNING**-Do not place this product on or near a cooker or any other hot surface and do not incinerate this appliance even if it is severely damaged. The battery might catch fire or explode.
- ⑨ Unplug the charger from the power outlet before performing routine cleaning or maintenance
- ⑩ Battery leaks may occur under extreme conditions. If any liquid gets on your skin wash quickly with soap and water. If liquid gets into your eyes, rinse with water for at least 15 minutes immediately. Seek medical attention immediately.
- ⑪ Charge the unit with the charger we provided.
- ⑫ Avoid using this product to vacuum hard, sharp objects, as this may cause damage.

Note: The vacuum cleaner adopted thermal protection technology to prevent overheating, will stop working when the item is over-heated.

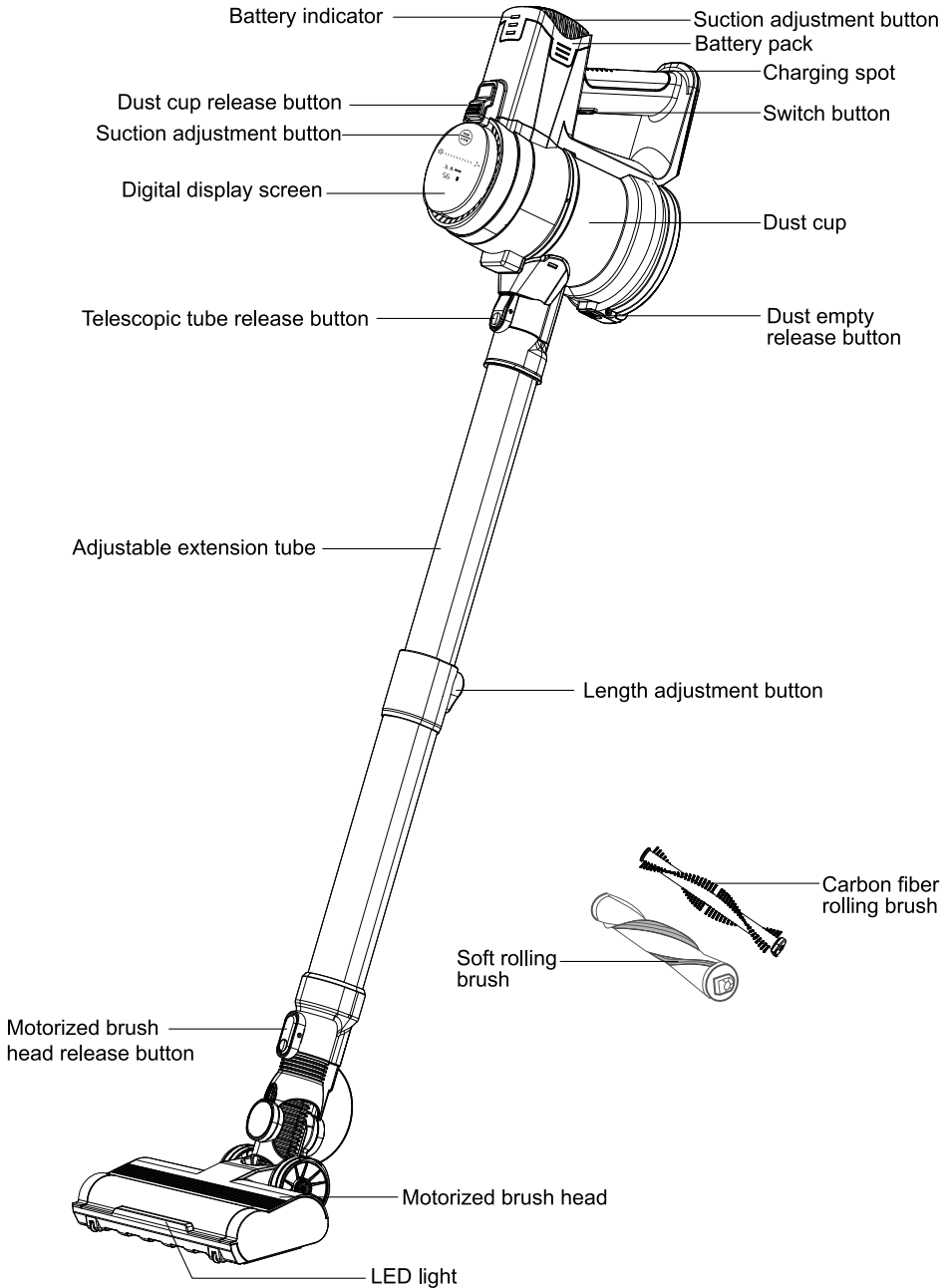
2.PACKAGE CONTENT

Please check and confirm the accessories and parts according to the following sheet before using.

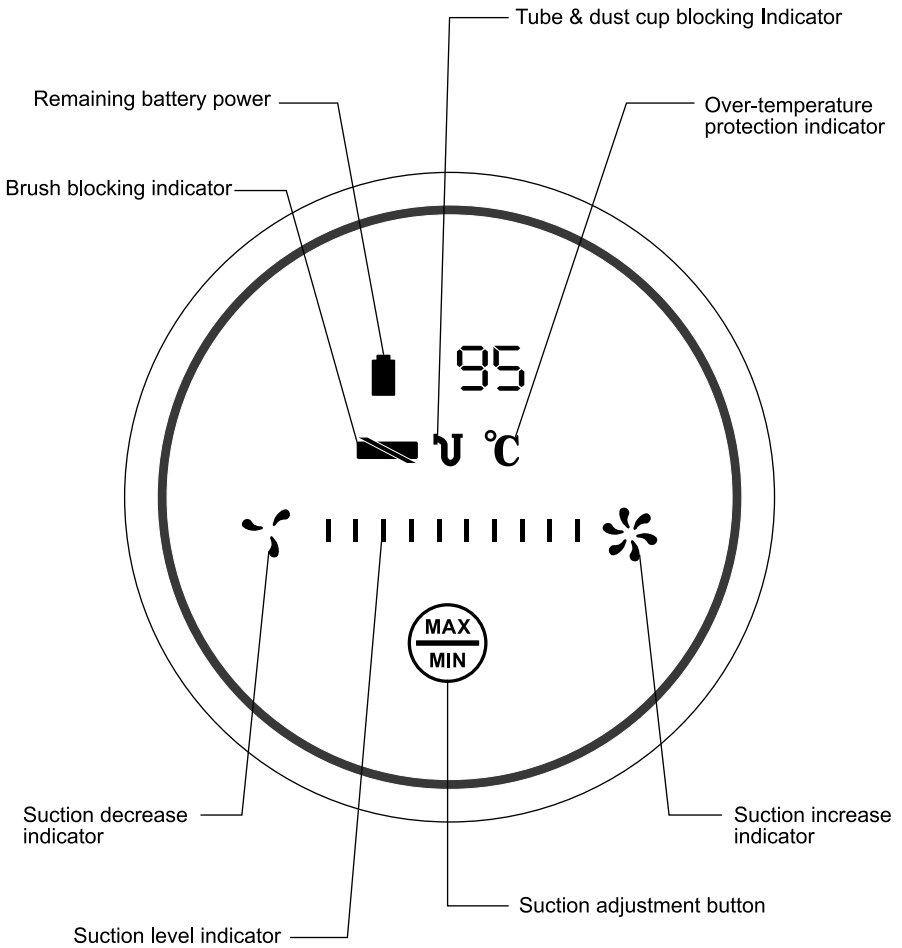
Part Name	Quantity
Main Body	1
Battery Pack	1
Adjustable Extension Tube	1
Motorized Brush Head	1
Soft Rolling Brush (Installed)	1
Carbon Fiber Rolling Brush	1
Long Crevice Nozzle	1
2 in 1 Upholstery Brush	1
Mini Cleaning Brush	1
Wall-mount Plate	1
Charger	1
HEPA Filter Replacement	1
Screw	1
User Manual	1

3.KNOW YOUR PRODUCT

3.1 Product Details



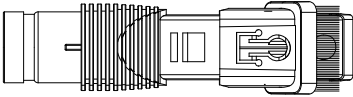
3.2 Digital Display Screen



3.3 Accessories Function Introduction

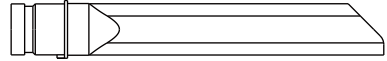
① 2 in 1 Upholstery Brush

Easy to snap-on design, can help you remove dust and hair on the carpet.



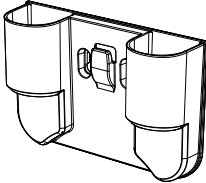
② Long crevice nozzle

Remove dust on the hard-to-reach areas like windows, bed feet, gaps between sofa, etc.



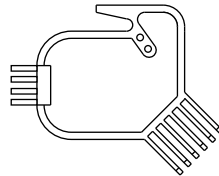
③ Wall-mount plate

Hold the vacuum and accessories on the wall-mounted plate for easy storage and battery charging.



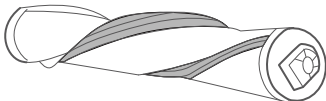
④ Mini cleaning brush

Remove hair, rubbish, and micro dust on the accessories or filters.



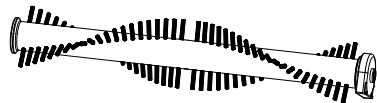
⑤ Soft rolling brush

Remove dust, debris, and hair from hard floors.



⑥ Carbon Fiber Rolling Brush

Remove debris, dust, and hair in carpets, velvet.

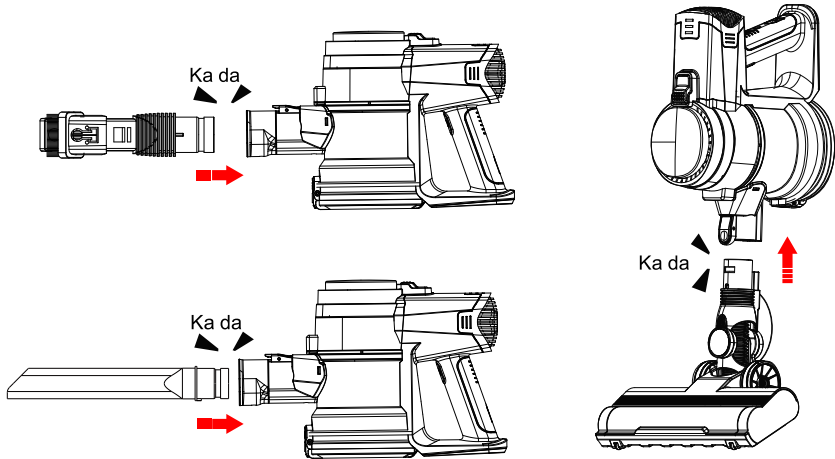


4.PRODUCT ASSEMBLING DIAGRAM

4.1 Install desired cleaning accessory

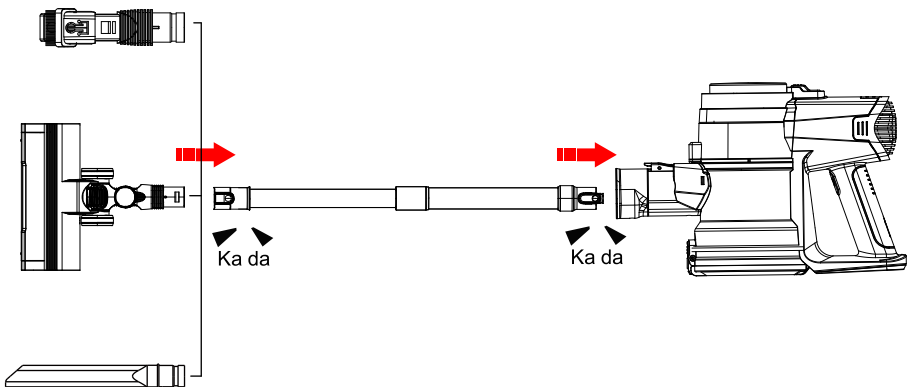
You can choose to directly install the cleaning accessories or after connecting the extension tube according to the cleaning needs.

- Directly install the cleaning accessories

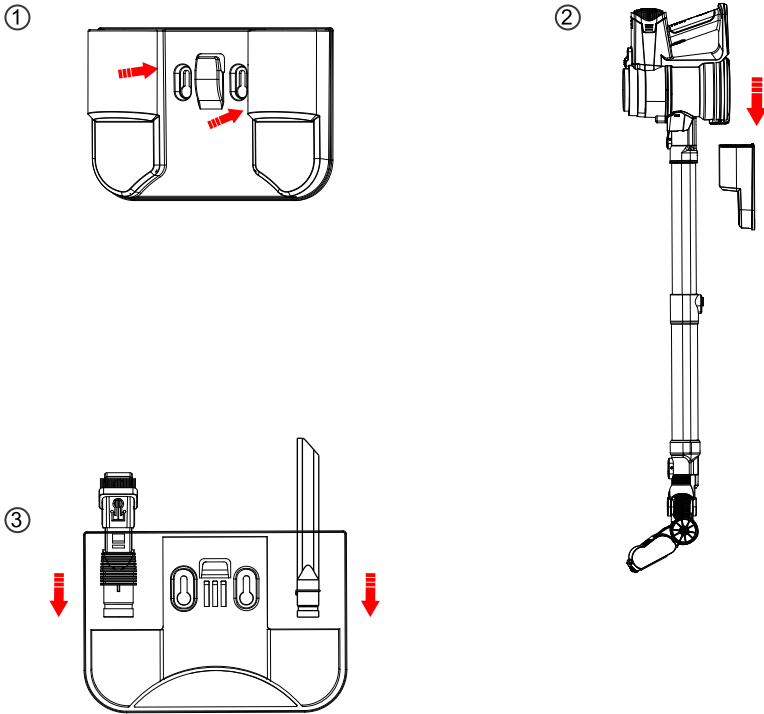


- Install the extension tube and cleaning accessories

Press and hold the extension tube length adjustment button, push forward or pull backward to select the appropriate length of the extension tube.



4.2 Wall-Mounted Plate Assembling Diagram



WARNING

- Please make sure there is no gas, water, or electrical cables and wires behind the mounting area.
- To avoid the dock dropping down, please make sure it must be installed firmly.
- Store appropriately indoors in a dry place. Do not expose the machine to sunlight or freezing temperature. Recommended temperature range: 39.2°F (4°C)-104°F(40°C).

5.HOW TO USE

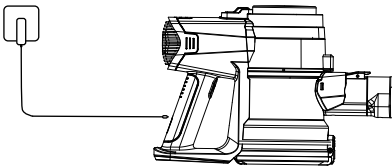
5.1 Charging



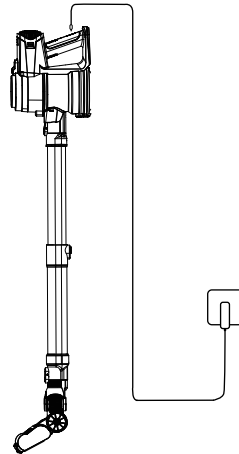
- When using a new battery or using it for the first time after long-term storage, please fully charge the battery first.
- When storing and not using the vacuum cleaner for a long time, please ensure that it is charged and discharged at least once every three months.

5.1.1 Charging methods:

①Connect the main body to charge



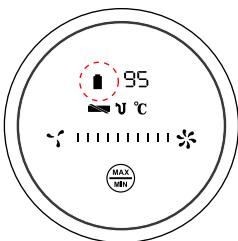
②Hang on the wall mount to charge



5.1.2 Battery Indicator

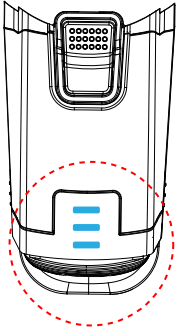
When charging and using the product, you can check the battery power status through the following two places.






• Digital display screen:



Status	Battery level indicator
Charging	0%~9%, “” flash red
	10%~99%, “” flash green
	100%, “” stay on green (The screen will turn to sleep mode after 10mins of full charge to reduce power consumption)
Using	100%~10%, “” stay on green
	9%~0%, “” flash red

- Battery power indicator:



Status	Battery level indicator
Charging	0%~99%, “  ” three blue lights flash in a cycle
	100%, “  ” three blue lights always on
Using	100%~67%, “  ” Three blue lights always on
	66%~34%, “  ” Two blue lights always on
	0~33%, “  ” One blue lights always on

5.2 Operating



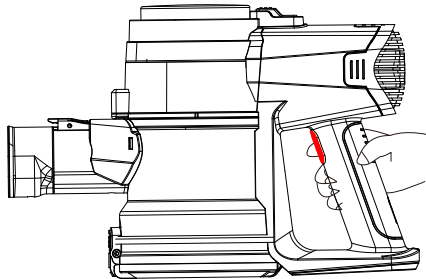
Before each use, make sure that

The battery is fully charged, and fixed in place.

The dust cup and filters are cleaned, and fixed in place.

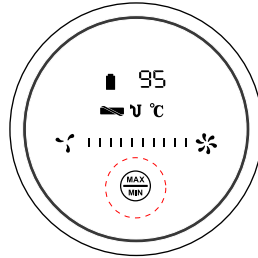
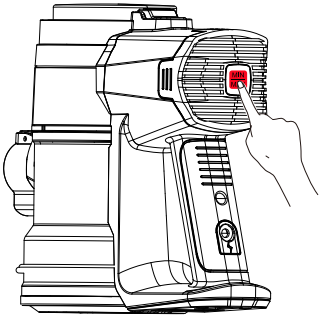
① Start to Work

Press the switch button to turn it on and it will start MIN mode suction . Press again to turn it off.



② Select Cleaning Mode

The appliance has 3 suction modes for different cleaning needs, which can be cycled (MIN ⇌ MAX) by a short press the suction adjustment button on the battery pack or the digital display screen.



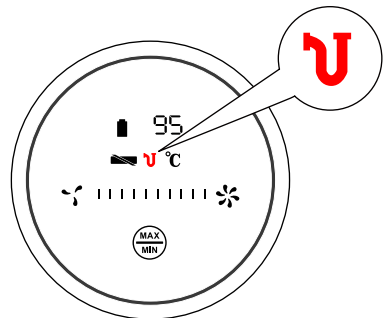
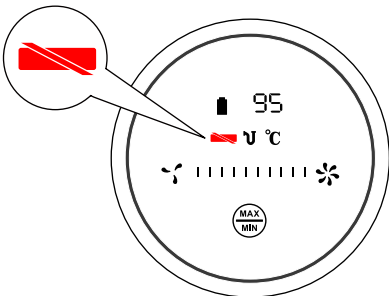
Note: Please keep your hands dry when using it, Oil and water stains on your finger may affect screen swiping.

5.3 Machine protection and error code indication

Motor in VC10 cordless vacuum cleaner has built-in Blocking protection, and battery has built-in over-temperature protection, overcurrent & overvoltage protection.

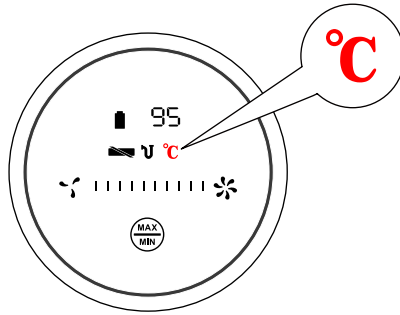
• Blocking protection

When the brush head, tube or dust cup is blocked, the blocking protection for motor will work. If the brush head is blocked, the Brush Blocking Indicator will light up. If the tube or dust cup is blocked, the Tube & Dust Cup Blocking Indicator will light up. At the same time the motor will temporarily stop working to prevent damage. After cleaning the brush head, tube or dust cup, the blocking indicator will go out and motor will work normally.



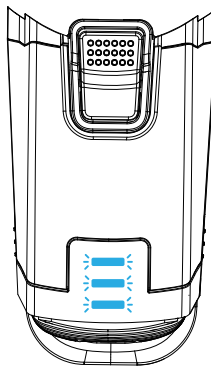
• **Over-temperature protection**

Battery temperature will rise under continuous high suction power mode. If you charge the battery when its temperature is too high, the over-temperature protection will work. On the screen the over-temperature protection indicator will light up, and the battery will intelligently reduce the charging input power to prevent overheating. **Wait 20-45mins for the battery to return to normal temperature, the temperature protection indicator will go out and the battery will return to normal charging power.**



• **Overcurrent & Overvoltage protection**

While charging, if the input voltage or current is too high, the Overcurrent & Overvoltage protection will work. The three indicators on battery pack will flash at the same time and the battery will temporarily stop charging. After the input voltage and current return to normal, the battery indicator and charging progress will intelligently return to normal.

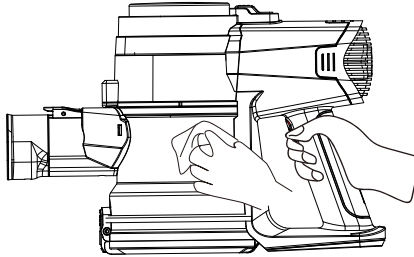


6.MAINTENANCE

Please clean it regularly to prolong the lifespan of your vacuum cleaner.

6.1 Main body (non-washable parts) cleaning

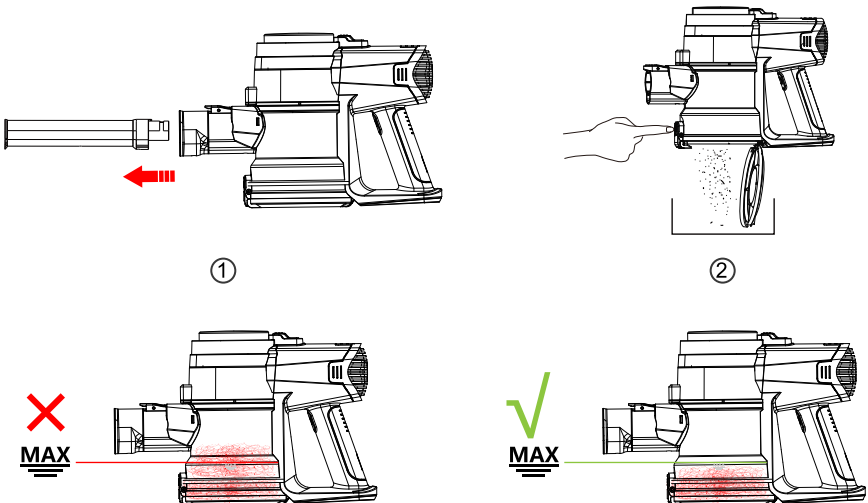
- Turn off the power before cleaning the body.
- Please use a neutral detergent, wipe the body with half-wet cloth.
- Please avoid sun exposure and store in a cool and dry place.



6.2 Dust cup & HEPA filter cleaning

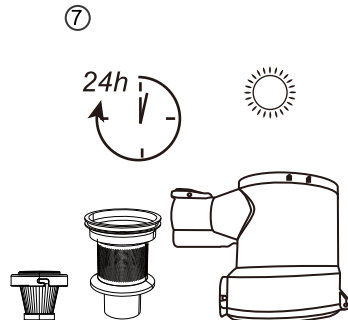
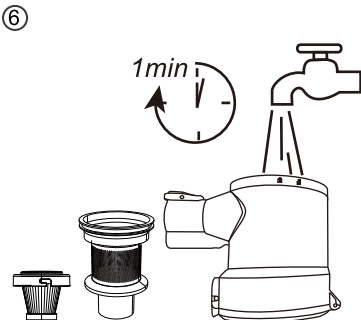
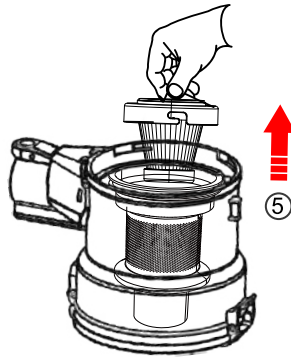
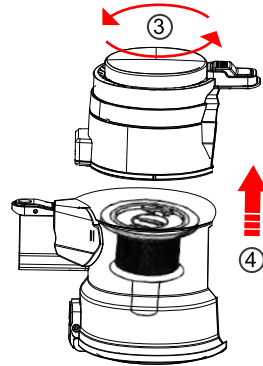
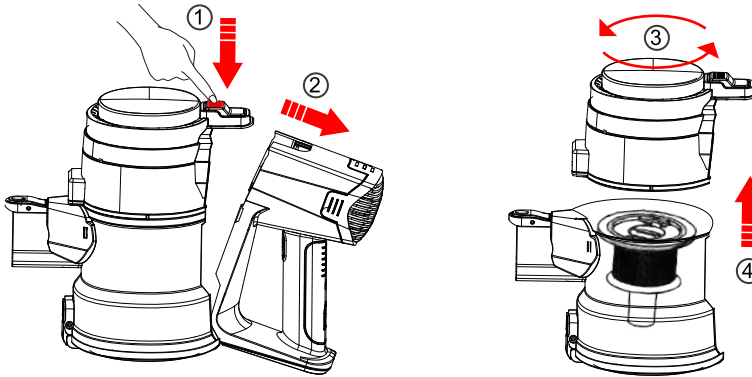
6.2.1 Empty the Dust Cup

- Press the dust empty release button to empty the dust
- When using, if the garbage in the dust cup exceeds MAX Line, please empty it in time.



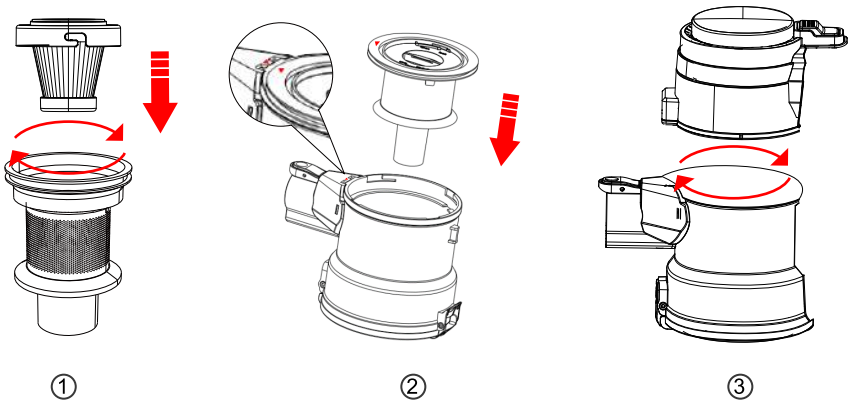
6.2.2 Clean the dust cup and HEPA filter

- Press the dust cup release button to separate the dust cup and the main body.
- Hold the lower part of the dust cup with one hand and the upper part of the dust cup with the other hand, twisting in an anti-clockwise direction, then separate the upper part of the dust cup and the lower part. Take out the HEPA filter and the stainless steel filter in turn, clean or change it.



6.2.3 Install the filter and the dust cup

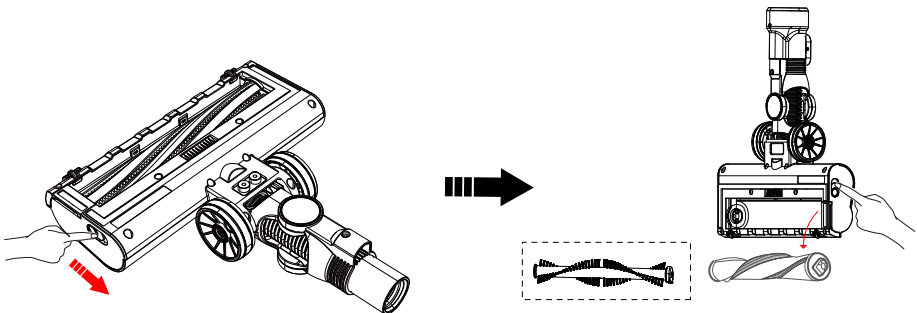
Install the filter and the dust cup in correct direction, make the buckles in right place and twist to fix it.



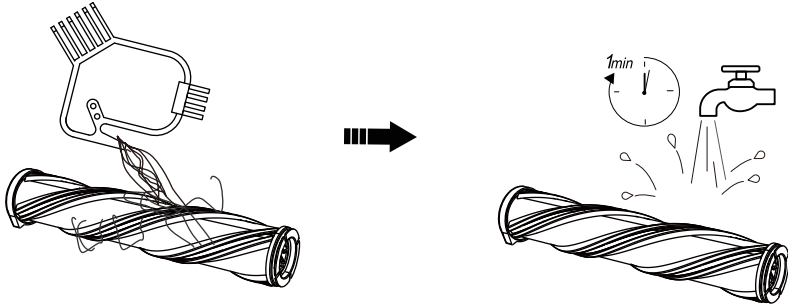
6.3 Brush Roller Cleaning

Note: After long periods of use, the bristle may be jammed by hair or similar build-up. It's recommended to clean the brush roller periodically to ensure efficient operation and maintain suction.

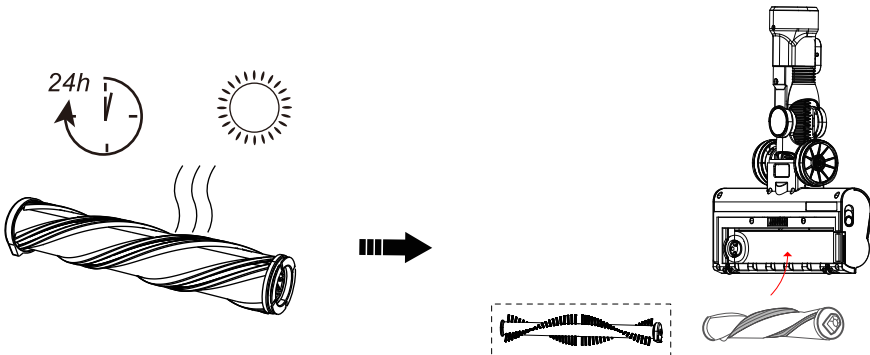
- Push the button to the "unlock" sign, remove the brush roller.



- Remove the debris wrapped around the roller with mini cleaning brush, then flush with water.



- Gently push the brush roller into the motored brush, until securely in place. (Please make sure the brush roller is completely dry before using.)



7.SPECIFICATION

Model	VC10
Rated voltage	DC22.2V
Battery type	Lithium
Suction mode	Min-Mid-Max
Charge time	4-5H

8.TROUBLESHOOTING

ISSUE	CAUSE	SOLUTION
The vacuum cleaner not work	(1)Out of power (2)Battery pack not installed in place (3)The motorized brush head is blocked with hair and other debris (4)Auto protection for overheating Switch Button not work	(1)Charge the vacuum cleaner (2)Battery pack installed in place (3)Clean the motorized brush head (4)Restart after cooling down Contact BuTure Support for replacement
Weak suction	(1)Dust cup is full of garbage (2)Dust baffle misaligned (3)HEPA Filter are clogged or not installed in place (4)HEPA Filter not dry (5)The motorized brush head is blocked with hair or other debris Low power	(1)Empty the dust cup (2)Align the dust baffle to correct hole (3)Clean or change the HEPA Filter (4)Dry out HEPA Filter (5)Clean the motorized brush head Charge the vacuum cleaner
Charging indicator not light up or flash abnormally	(1)Battery pack is dead or broken (2)Charger is not correctly connected Incompatible adaptor	(1)Change the battery pack (2)Make sure the charger are fully plugged in socket (3)Use the adaptor provided by BUTURE
Insufficient running time after charging	(1)Insufficient charging time (2)Battery aging (3)The motorized brush head or is tangled by hair or other debris Incompatible adaptor	(1)Vacuum cleaner fully charged (2)Change the battery (3)Clean the motorized brush head Use the charger provided by BUTURE
Motorized brush head not rotate	(1)Brush roller are blocked with hair, pebbles or other debris (2)Dust cup is full of dust (3)The brush may be defective	(1)Clean the brush roller (2)Empty the dust cup (3)Connect the brush head with the main body to see if it would spin or not, then contact us.

9.WARRANTY

9.1 The 2-Year Limited Warranty

- Our BUTURE machine has a 2-year warranty against original defects in material and workmanship, when used for private household purposes in accordance with the BUTURE Instruction Manual.
- This warranty provides, at no extra cost to you, all labor and parts necessary to ensure your machine is in proper operating condition during the warranty period.

9.2 What is covered?

Only applies to purchases made from authorized retailers of BUTURE.

This warranty will only be valid if the machine is used in the country in which it was sold.

9.3 How to claim?

Please keep your proof of purchase. To make a claim under our Limited Warranty, you need to provide your original purchase receipt with the purchase date and order number on it.

If your machine is not functioning properly, or you still have any questions after reading this manual carefully, please feel free to contact us, we will try our best to provide you with a satisfactory solution.

Email our Customer Service: tech-support@ibuture.com

Federal Communication Commission Interference Statement

NOTE: This equipment has been tested and found to comply with the limits for a Class B digital device, pursuant to part 15 of the FCC Rules. These limits are designed to provide reasonable protection against harmful interference in a residential installation. This equipment generates, uses and can radiate radio frequency energy and, if not installed and used in accordance with the instructions, may cause harmful interference to radio communications. However, there is no guarantee that interference will not occur in a particular installation. If this equipment does cause harmful interference to radio or television reception, which can be determined by turning the equipment off and on, the user is encouraged to try to correct the interference by one or more of the following measures:

- Reorient or relocate the receiving antenna.

- Increase the separation between the equipment and receiver.

- Connect the equipment into an outlet on a circuit different from that to which the receiver is connected.

- Consult the dealer or an experienced radio/TV technician for help.

Caution: Changes or modifications not expressly approved by the party responsible for compliance could void the user's authority to operate this equipment.

This device complies with part 15 of the FCC Rules. Operation is subject to the following two conditions:

- (1) This device may not cause harmful interference, and

- (2) This device must accept any interference received, including interference that may cause undesired operation.

IC Warning

CAN ICES-003 (B) / NMB-003 (B)

Declaration of Conformity

We (Manufacturer is responsible for this declaration)

Shenzhen Chic Electrics CO., Ltd.

(Company name)

2#5 floor, Hualanqia Industrial zone, KuKeng Community, Guanlan Street, Baoan District.

Shenzhen, China.

(Company address)

declare under our sole responsibility that the product

Trade name: BUTURE

Equipment: Cordless Stick Vacuum Cleaner

Model No. : VC10

to which this declaration relates is in conformity with the essential requirement set out in the Council Directive on the Approximation of the laws of the Member States relating to LVD Directive(2014/35/EU) & EMC Directive(2014/30/EU) & RoHS(2011/65/EU) product is responsible to affix CE marking, the following standards were applied:

EN 60335-2-2:2010+A11:2012+A1:2013

EN 60335-1:2012+a11:2014+a13:2017

EN 62233:2008

EN 55014-1:2017

EN 55014-2:2015

EN 61000-3-2:2014

EN 61000-3-3:2013

IEC62321-3-1:2013

IEC62321-4:2013

IEC62321-5:2013

IEC62321-6:2015

IEC62321-7-1:2015

IEC62321-7-2:2017

IEC62321-8:2017

Full Name: George.wang

Position: Approbation Manager

Signature: George.wang

Place/Date: Shenzhen,China/Aug.13-2021

Correct Disposal of this product



This marking indicates that this product should not be disposed with other household wastes throughout the EU. To prevent possible harm to the environment or human health from uncontrolled waste disposal, recycle it responsibly to promote the sustainable reuse of material resources. To return your used device, please use the return and collection systems or contact the retailer where the product was purchased. They can take this product for environmental safe recycling.