

BUTURE

USER MANUAL

Cordless Vacuum Cleaner

Model: VC30

Email: tech-support@ibuture.com



LANGUAGE

English	01-14
Deutsch	15-28
Italiano	29-42
Français	43-56
Español	57-70
日本語	71-84

CONTENT

1. WARNING	01
2. PACKAGE LIST	02
3. KNOW THE PRODUCT	03
3.1 Product Details	
3.2 Accessories Function	
4. PRODUCT ASSEMBLY	05
4.1 Install Vacuum Cleaner	
4.2 Install Wall Mount	
5. HOW TO USE	07
5.1 Charging	
5.2 Operating	
6. MAINTENANCE	08
6.1 Main Body Cleaning	
6.2 Empty Dust Cup	
6.3 Wash the air inlet HEPA and filter cone	
6.4 Clean Air outlet HEPA	
6.5 Brush Roller Cleaning	
7. SPECIFICATION	12
8. TROUBLESHOOTING	13
9. WARRANTY	14

1.WARNING

Thank you for purchasing the BuTure VC30 cordless vacuum cleaner. **Before using this machine, please read the following safety warning first and take safety protection measures to avoid malfunctions caused by improper operation.**

- ① This BuTure appliance is not intended for use by persons (including children) with reduced physical, sensory or mental capabilities, or lack of experience and knowledge, unless they have been given supervision or instruction by a responsible person concerning use of the appliance to ensure that they can use it safely.
- ② Suitable for dry locations only. Do not use or store outdoors with wet surfaces. Do not handle any part of the plug or appliance with wet hands. Store properly in a dry place indoors.
- ③ Do not use a damaged cable or plug. If the device or charger does not work properly, dropped, damaged, missed or dropped into water, please contact tech-support@ibuture.com, BuTure after-sales team for support.
- ④ Do not vacuum flammable or combustible liquids, such as petrol, or use in areas where liquids may be present.
- ⑤ Turn off the power switch before plug or unplug the adapter.
- ⑥ Do not vacuum anything that is burning or smoking, such as cigarettes, matches or hot ashes
- ⑦ Do not use without filters or dust cup to avoid damaging the motor and contaminating the air. Wash hands after using the vacuum cleaner.
- ⑧ **FIRE WARNING:** Do not place this product on or near a cooker or any other hot surface and do not incinerate this appliance even if it is severely damaged. The battery might catch fire or explode.
- ⑨ Unplug the charger from the power outlet before performing routine cleaning or maintenance.
- ⑩ Battery leaks may occur under extreme conditions. If any liquid gets on your skin wash quickly with soap and water. If liquid gets into your eyes, rinse with water for at least 15 minutes immediately. Seek medical attention immediately.
- ⑪ Charge the unit with the charger we provided.
- ⑫ Avoid using this product to vacuum hard, sharp objects, as this may cause damage.

Note: The vacuum cleaner adopted thermal protection technology to prevent overheating, will stop working when the item is over-heated.

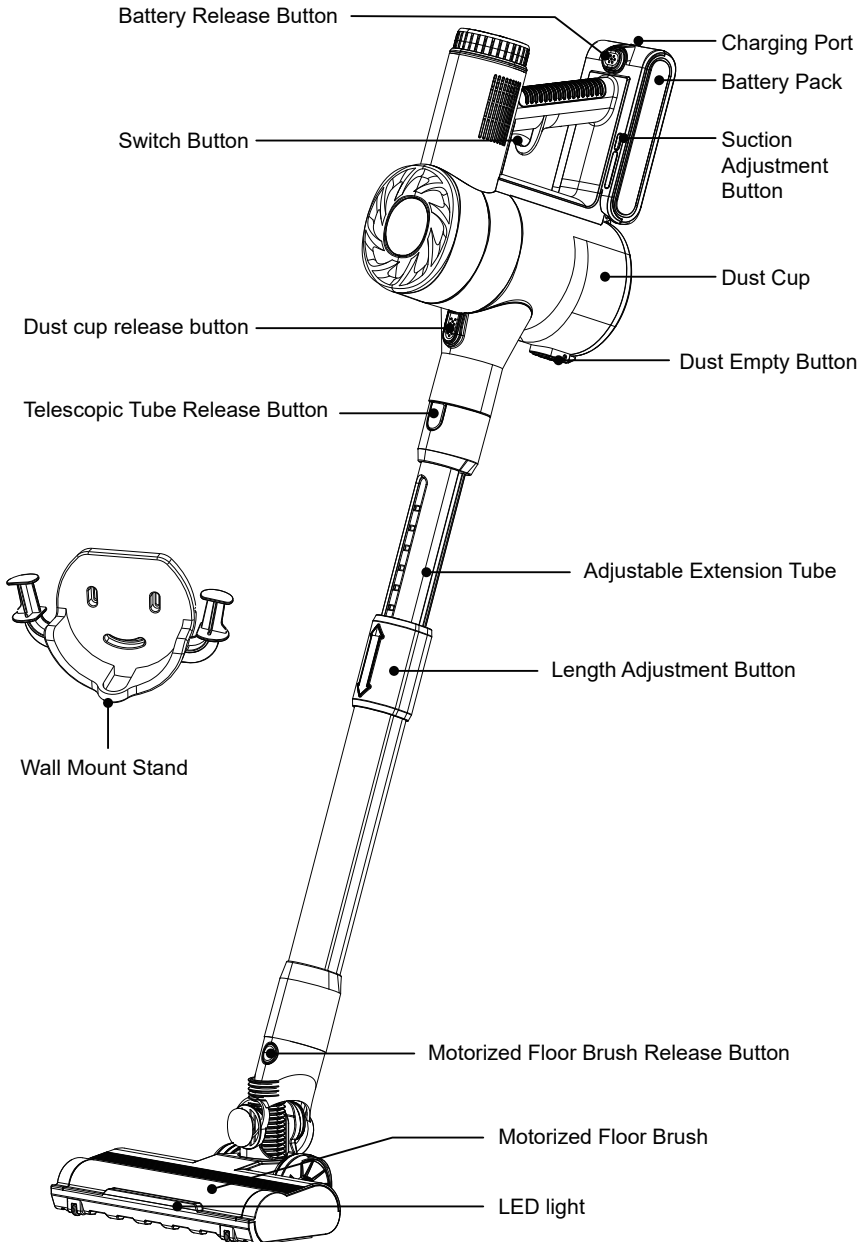
2.PACKAGE CONTENT

Please check and confirm the accessories and parts according to the following sheet before using.

Part Name	Quantity
Main Body	1
Battery Pack	1
Adjustable Extension Tube	1
Motorized Brush Head	1
Soft Rolling Brush (Installed)	1
Carbon Fiber Rolling Brush	1
Long Crevice Nozzle	1
2 in 1 Upholstery Brush	1
Wall Mount Stand	1
Extra Air Inlet HEPA	1
Charger	1
Screw	3
User Manual	1

3.KNOW THE PRODUCT

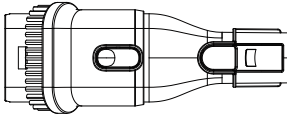
3.1PRODUCT DETAILS



3.2 ACCESSORIES FUNCTION

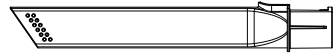
① 2 in 1 Upholstery Brush

Easy to snap-on design, can help you remove dust and hair on the carpet.



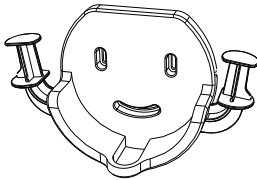
② Long crevice Nozzle

Remove dust on the hard-to-reach areas like windows, bed feet, gaps between sofa, etc.



③ Wall Mount Stand

Hold the vacuum and accessories on the wall-mounted plate for easy storage and battery charging.



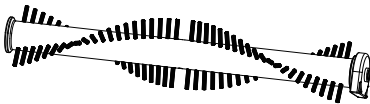
④ Soft rolling Brush

Remove dust, debris, and hair from hard floors.



⑤ Carbon Fiber Rolling Brush

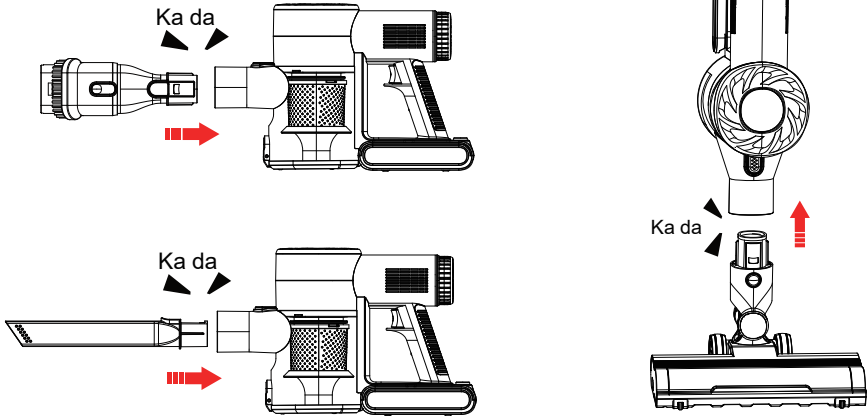
Remove debris, dust, and hair in carpets, velvet.



4.PRODUCT ASSEMBLY

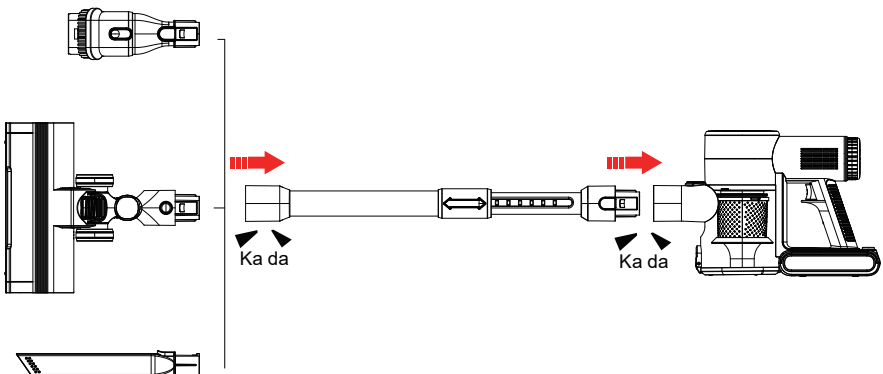
4.1 Install Vacuum Cleaner

- ① Directly Install Cleaning Accessories

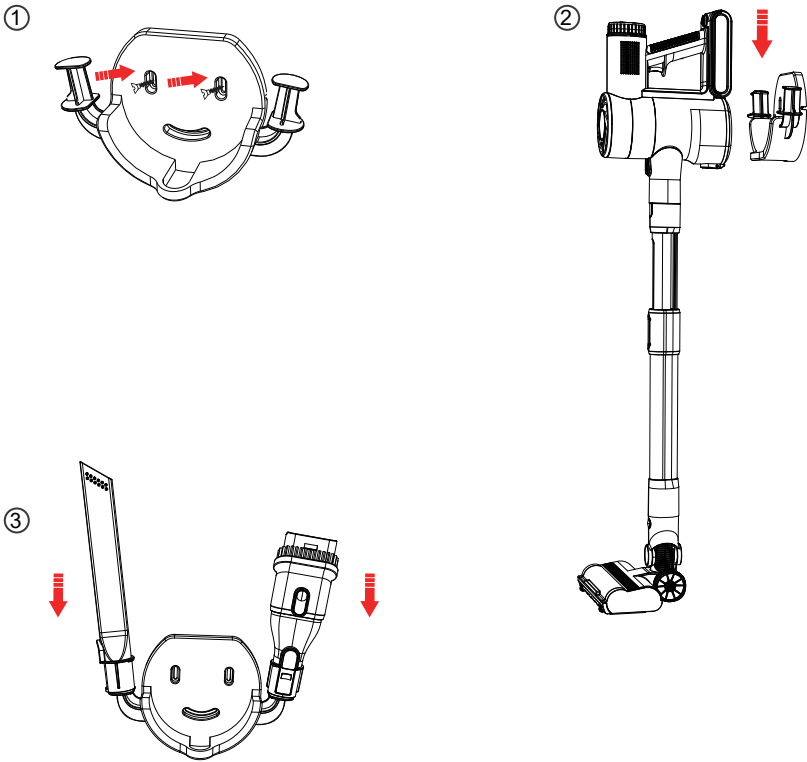


- ② Install the extension tube and cleaning accessories

Press and hold the extension tube length adjustment button, push forward or pull backward to select the appropriate length of the extension tube.



4.2 Wall-Mounted Plate Assembling Diagram



WARNING

- Please make sure there is no gas, water, or electrical cables and wires behind the mounting area.
- To avoid the dock dropping down, please make sure it must be installed firmly.
- Store appropriately indoors in a dry place. Do not expose the machine to sunlight or freezing temperature. Recommended temperature range: 39.2°F (4°C)-104°F(40°C).

5.HOW TO USE

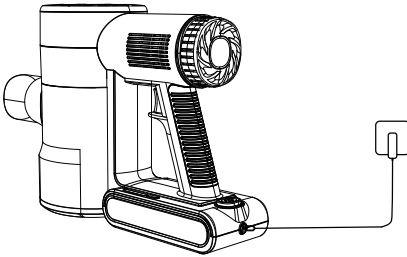
5.1 Charging



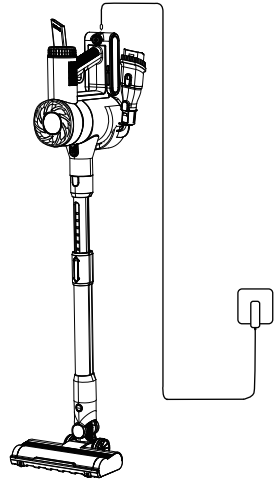
- When using a new battery or using it for the first time after long-term storage, please fully charge the battery first.
- When storing and not using the vacuum cleaner for a long time, please ensure that it is charged and discharged at least once every three months.

• Charging Methods

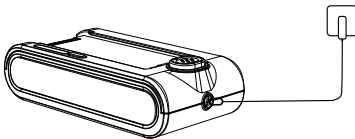
① Connect the main body to charge



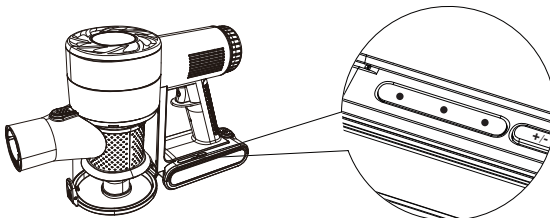
② Hang on the wall mount to charge



③ Charge the battery directly



• Battery power indicator



5.2 Operating

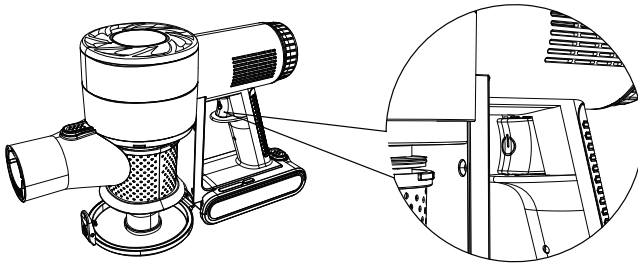


Before each use, make sure that

- The battery is fully charged, and fixed in place.
- The dust cup and filters are cleaned, and fixed in place.

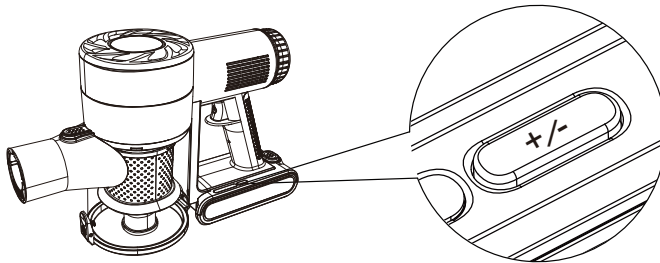
• Start to Work

Press the switch button to turn it on and it will start Min mode suction . Press again to turn it off.



• Select Suction Level Min-Max

Press the button +/- to adjust the suction

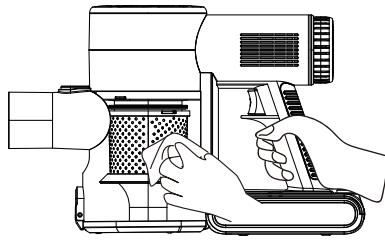


6.HOW TO USE

Tip: Please clean the vacuum cleaner regularly to extend its lifespan.

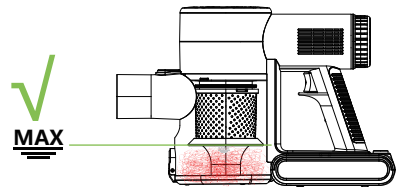
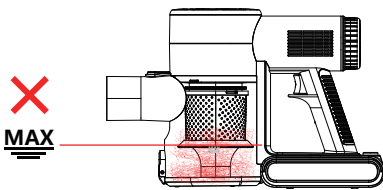
6.1 Main Body Cleaning

- Turn off the power before cleaning the body.
- Please use a neutral detergent, wipe the body with half-wet cloth.
- Please avoid sun exposure and store in a cool and dry place.

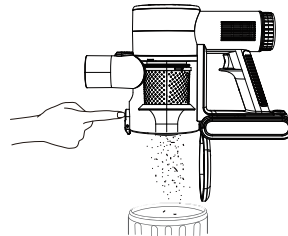
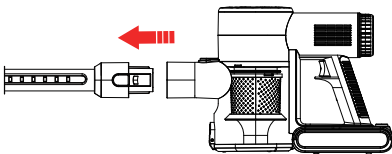


6.2 Empty Dust Cup

- When using, if the garbage in the dust cup exceeds MAX Line, please empty it in time.



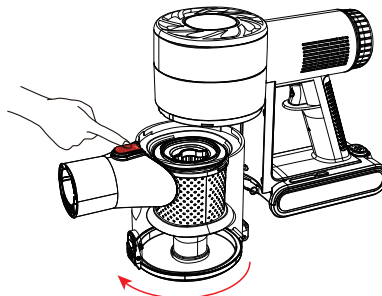
- Press the dust empty button to empty the dust.



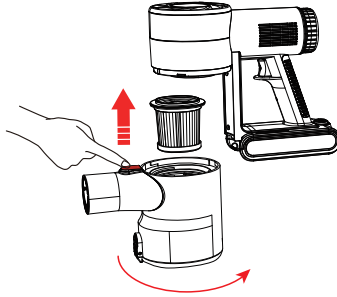
6.3 Wash the air inlet HEPA and filter cone

- Remove dust cup from main body.

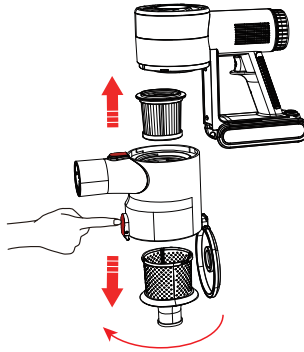
Press the dust cup release button. Rotate the dust cup clockwise to separate the dust cup from the main body.



- Take out the air inlet HEPA from the dust cup.

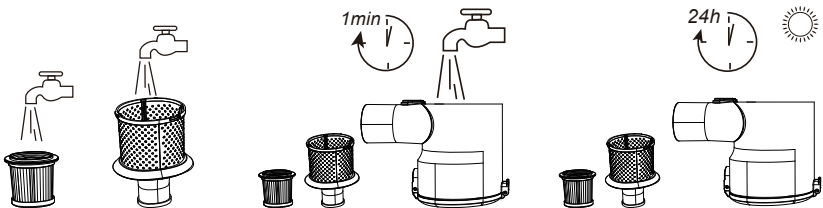


- Take out the filter cone.



- Clean the air inlet HEPA and filter cone with water.

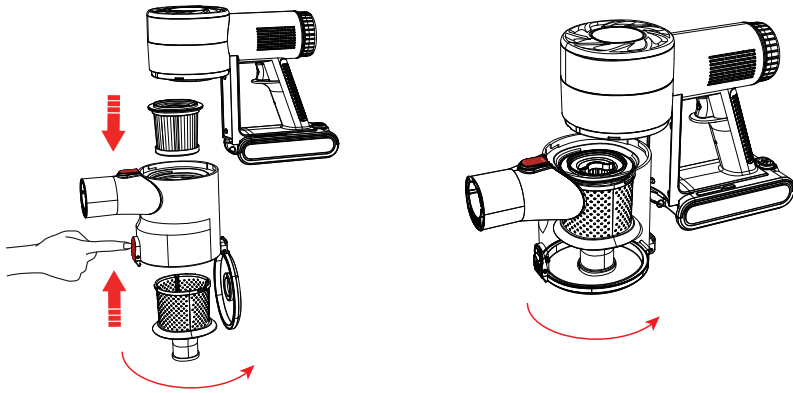
Make sure that the dust cup and filters have dried before use.



- Install the HEPA and filter cone

First screw the filter cone counterclockwise into the bottom of the dust bucket, and the bottom cover button resets and self-locks.

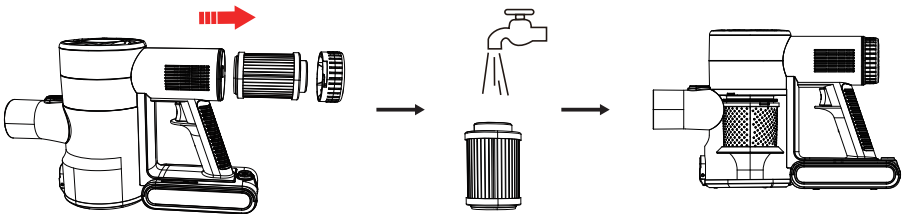
Then put the air inlet HEPA back into the dust bucket body. Rotate the dust bucket body counterclockwise and hear a "click", indicating that it has been fully installed in place.



6.4 Clean Air outlet HEPA

Rotate the end cap of the air outlet HEPA counterclockwise, take out the HEPA and clean it.

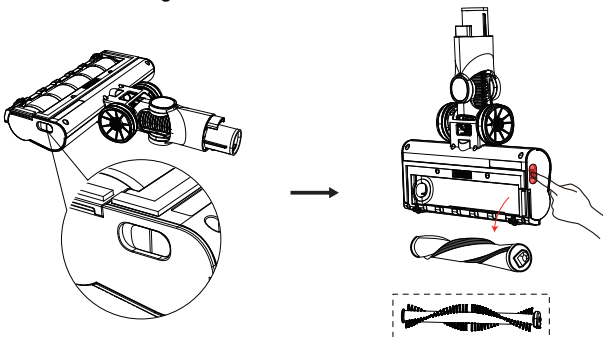
To install the air outlet HEPA. Put the HEPA into the air outlet bucket, and then rotate the back end cover clockwise.



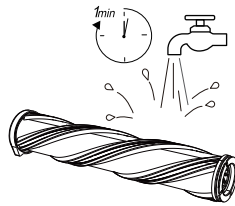
6.5 Brush Roller Cleaning

Tip: After long periods of use, the bristle may be jammed by hair or similar build-up. It's recommended to clean the brush roller periodically to ensure efficient operation and maintain suction.

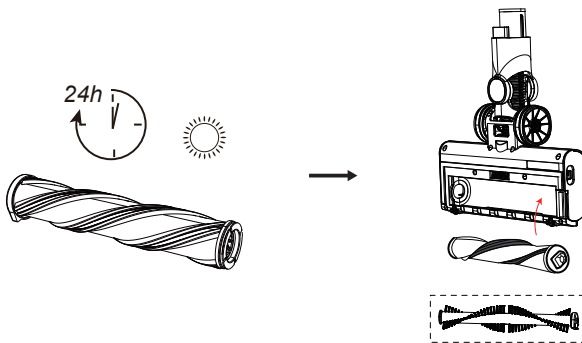
- Push the button to the "unlock" sign, remove the brush roller.



- Remove the debris wrapped around the roller with your own brush, then flush the roller with water.



- Gently push the brush roller into the motored brush, until securely in place. Make sure the brush roller is completely dry before using.



7.SPECIFICATION

Model	VC30
Rated voltage	22.2V ---
Suction level	Min-Max
Charge time	4-5H

8.TROUBLESHOOTING

ISSUE	CAUSE	SOLUTION
Vacuum cleaner not work	<ul style="list-style-type: none"> ① Out of power ② Battery pack not installed in place or has failed ③ Motor has failed 	<ul style="list-style-type: none"> ① Full charge the vacuum cleaner ② Battery pack installed in place ③ Contact BuTure Team via email for replacing the battery or motor
Weak suction	<ul style="list-style-type: none"> ① Dust cup is full of garbage ② Motorized floor brush, tube or filters is clogged with garbage ③ Low battery power 	<ul style="list-style-type: none"> ① Empty the dust cup ② Clear out any garbage that is blocking the motorized floor brush, tube or filters ③ Full charge the vacuum cleaner
Charging is not normal	<ul style="list-style-type: none"> ① Charger is not correctly connected ② Battery pack or charger has failed ③ Charger is not original 	<ul style="list-style-type: none"> ① Make sure the charger are fully plugged in socket ② Contact BuTure Team via email for replacing the battery or charger ③ Use the original charger provided by BuTure
Insufficient running time after charging	<ul style="list-style-type: none"> ① Insufficient charging time ② Motorized floor brush, dust cup, tube or filters is clogged with garbage ③ Battery aging 	<ul style="list-style-type: none"> ① Full charge the vacuum cleaner ② Clear out any garbage that is blocking the motorized floor brush, dust cup, tube or filters ③ Contact BuTure Team via email for replacing the battery
Motorized brush head not rotate	<ul style="list-style-type: none"> ① Brush roller are blocked with hair, pebbles or other debris ② Dust cup is full of dust ③ The brush may be defective 	<ul style="list-style-type: none"> ① Clean the brush roller ② Empty the dust cup ③ Connect the brush head with the main body to see if it would spin or not, then contact us

9.WARRANTY

9.1 The 2-Year Limited Warranty

- Our BuTure machine has a 2-year warranty against original defects in material and workmanship, when used for private household purposes in accordance with the BuTure Instruction Manual.
- This warranty provides, at no extra cost to you, all labor and parts necessary to ensure your machine is in proper operating condition during the warranty period.

9.2 What is covered?

Only applies to purchases made from authorized retailers of BuTure.

This warranty will only be valid if the machine is used in the country in which it was sold.

9.3 How to claim?

Please keep your proof of purchase. To make a claim under our warranty, you need to provide your original purchase receipt with the purchase date and order number on it.

If your machine is not functioning properly, or you still have any questions after reading this manual carefully, please feel free to contact us, we will reply to you in 24 hours and try our best to provide you with a satisfactory solution.

Email our Customer Service: tech-support@ibuture.com

Declaration of Conformity

We (Manufacturer is responsible for this declaration)

Ekoo Electronic Co.,Ltd.

(Company name)

B09,block B,f2,bldg.b,runfeng Pioneer Park,no.973, minzhi Avenue, Minzhi St.,

Longhua, Shenzhen, CN

(Company address)

declare under our sole responsibility that the product

Trade name: BUTURE

Equipment: VC30 Cordless Vacuum Cleaner

Model No. : VC30

to which this declaration relates is in conformity with the essential requirement set out in the Council Directive on the Approximation of the laws of the Member States relating to LVD Directive(2014/35/EU) & EMC Directive(2014/30/EU) & RoHS(2011/65/EU) product is responsible to affix CE marking, the following standards were applied:

EN 60335-2-2:2010+A11:2012+A1:2013

EN 60335-1:2012+A11:2014+A13:2017+A1:2019+A14:2019+A2:2019

EN 62233:2008

EN 55014-1:2021

EN 55014-2:2021

EN IEC 61000-3-2:2019+A1:2021

EN 61000-3-3:2013+A2019

IEC62321-3-1:2013

IEC62321-4:2013

IEC62321-5:2013

IEC62321-6:2015

IEC62321-7-1:2015

IEC62321-7-2:2017

IEC62321-8:2017

Full Name: George.wang

Position: Approbation Manager

Signature: George.wang

Place/Date: Shenzhen,China/Doc.03-2021

Correct Disposal of this product

This marking indicates that this product should not be disposed with other household wastes throughout the EU. To prevent possible harm to the environment or human health from uncontrolled waste disposal, recycle it responsibly to promote the sustainable reuse of material resources. To return your used device, please use the return and collection systems or contact the retailer where the product was purchased. They can take this product for environmental safe recycling.



BUTURE