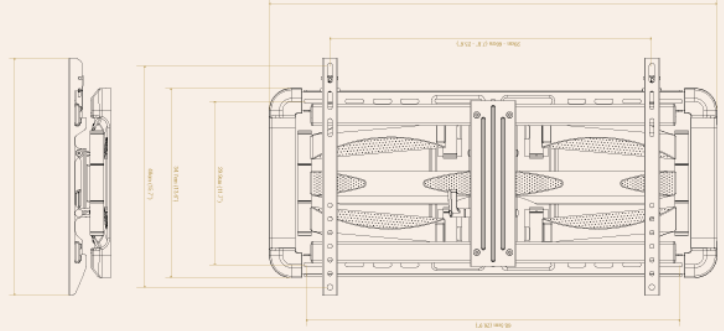
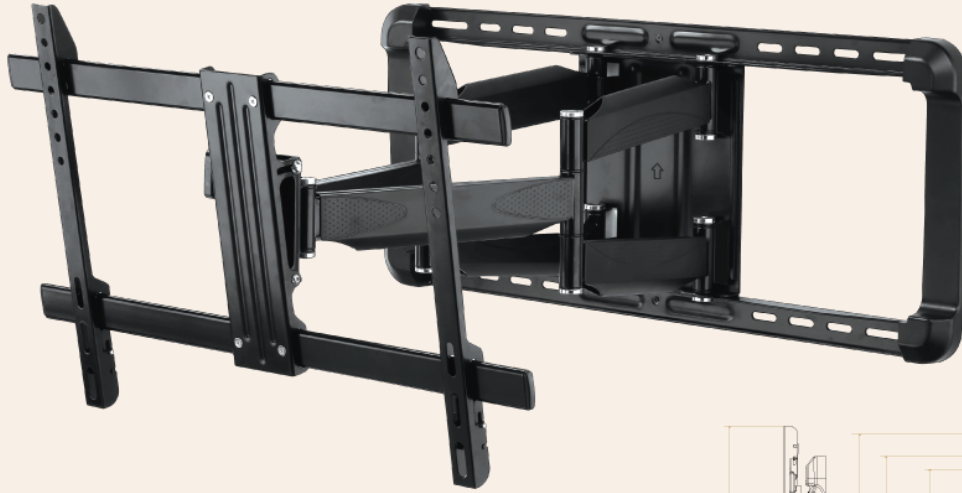


UA-PRO640

LARGE ARTICULATING MOUNT



37-100"
TV Size



Up to:
150lbs/68kg



200x200 to
600x400



2.8"
Depth



+2° to -10°
Tilt Range



25.3"
Extension



Specifications

Retail Package Size: 35.2 x 20.4 x 4in

Retail Package Weight: 31.5lbs

Master Carton Size: 35.2 x 20.4 x 4in

Master Carton Weight: 31.5lbs

Master Carton Quantity: 1

UPC: 810054150503

Large Articulating Mount

A secure & easy to install, low profile design

- Fits Most 37-100" TVs Weighing up to 150lbs (68kg)
- Compatible with VESA Patterns Between 200x200 and 600x400
- Ultra-slim Low Profile Design
- Places the TV Just 2.8" (5cm) from the Wall
- A Dual-jointed Flexible Arm Extends up to 25.3" (64.3cm)
- A Rotational Swivel Range of +/-180°
- Inclined with a Tilt Range between +2° to -10°
- Built-in Cable Management System Prevents Cords from Tangling and Damage
- Solid All-metal Construction Tested with Four Times the Recommended Weight Limits
- A Locking Mechanism Ensure your TVs Safety
- Ready to Install with all Hardware Included