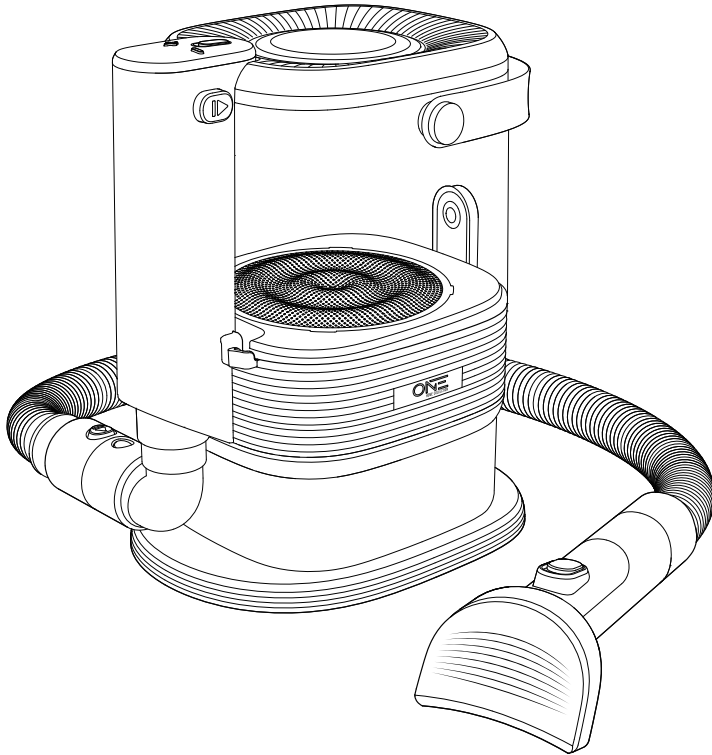


# PET VACUUM

## USER MANUAL



**ONE**  
HOME COLLECTION

### **CAUTION:**

Keep this manual for future reference  
for maintenance and safety

- Safety Information ..... 01-02
- Package List ..... 03
- Preparation..... 04-05
- Get Started ..... 06-08
- Care and Maintenance ..... 09-10
- Storage ..... 11-12
- Specifications..... 12

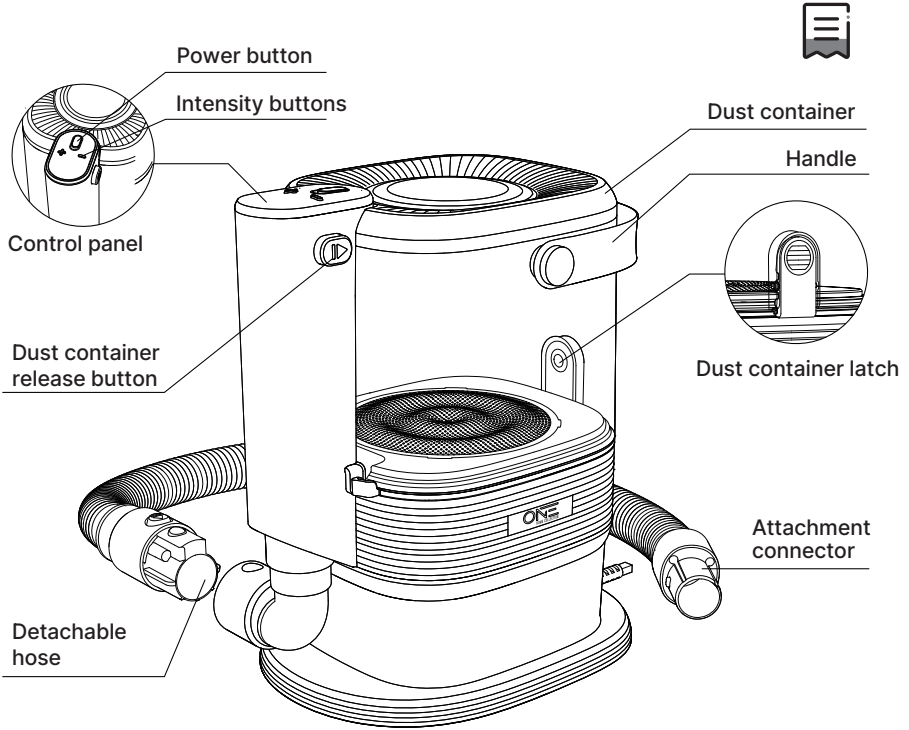
## **General Warning**

- This product is only for household use, not for commercial or industrial use, do not use outdoors or in humid areas;
- Never let children use the product without proper supervision;
- Use it in a safe environment and under the instructions and supervision of a person who understands the safe use of the product and its hazards;
- Under certain circumstances, never let children use it;
- Pay full attention when using it near children and pets. In addition, be careful not to let children and pets play with this product;
- Do not touch the power plug and the product with wet hands. Do not vacuum moisture and liquid;
- Do not use this product when the power cord or power plug is damaged; in the case of malfunction, damage, or immersed in liquid, be sure to contact customer support;
- Do not disassemble the product, wrong assembly method may cause electric shock or fire, contact customer support when you need repair;
- Do not suck flammable or combustible liquids such as gasoline. Do not use it in an environment with flammable or combustible gas;
- Do not pull the power cord, or put heavy objects on the top of the machine. Do not clamp the wires to a closed door;
- Do not suck anything that is on fire, smoking, or high temperature such as cigarettes, matches, hot soot; Do not block the opening for use;
- Unplug the machine before maintenance;
- Do not use or store in humid places such as outdoors or bathrooms;
- Do not use products with fragrances as filters. Such chemicals may lead to a fire;
- Use it only with specified voltage, you can find the specified voltage on the bottom of your machine;
- Only use it on dry pets, wet hair will clog the motor and cause malfunctions.

## **Cautions**

- Do not operate or unplug the power cord with wet hands, to avoid malfunction and electric shock;
- Do not suck smoke or other highly flammable things;
- Do not use it in places with flammable liquids or combustibles. It may cause fire or explosion;
- For the first use, there may be an odd odor. It is not harmful and will disappear with more use. If it smells burnt constantly, please stop use immediately;
- Keep the dust container and filter clean;
- If the dust container and filter are used without cleaning, the motor may get clogged and no longer work;
- When maintaining and cleaning, be sure to unplug the power cord before proceeding to avoid shocks and injuries;
- The machine shuts itself down when the temperature rises abnormally;
- If abnormal heating of the motor occurs or if the suction port is blocked, the vacuum will stop immediately to avoid damage. To restart it, take out the dust container, confirm that the suction pan and filters are clean. Please wait 30 minutes before using again;
- Be sure to use each filter with the installed state;
- Please place filters back into place before using. Without filters the motors may get clogged;
- Double check before using to avoid injury and damages;
- For functional reasons, some of the accessories may include sharp blades or edges, please be careful when using.

# package list



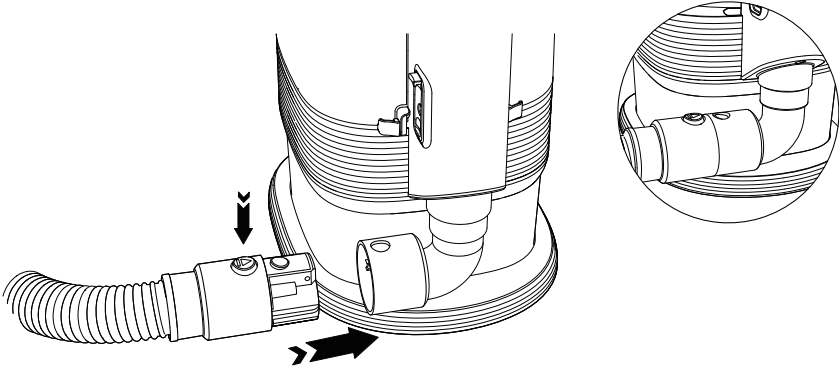
## Accessories



# preparation

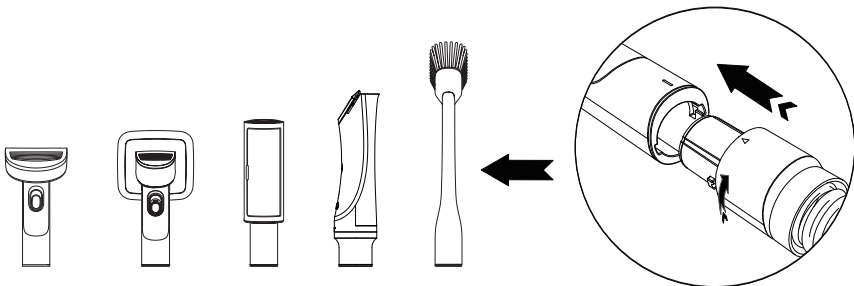
---

## Hose installation



Align the port, then insert the hose until it locks.

## Accessory installation

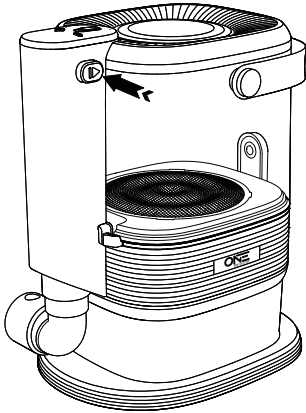


Connect the attachments by aligning and twisting to keep the attachment locked in place. Some attachments may have sharp objects, please use caution.

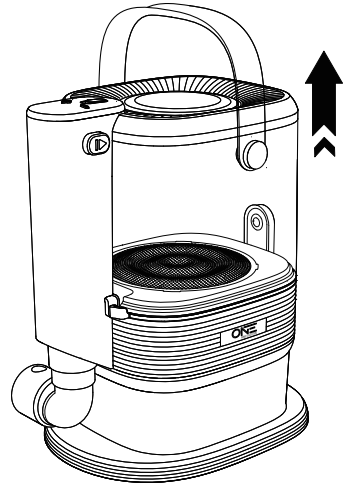
# preparation

## Remove the dust container

1

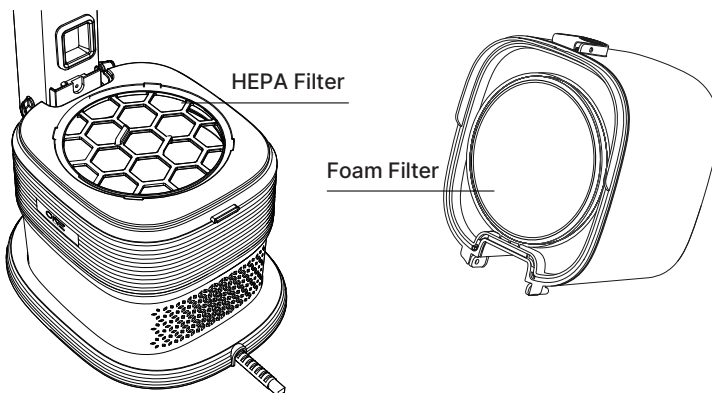


2



Hold the handle firmly, press the release button with your thumb, lift up and away.

## Check before use

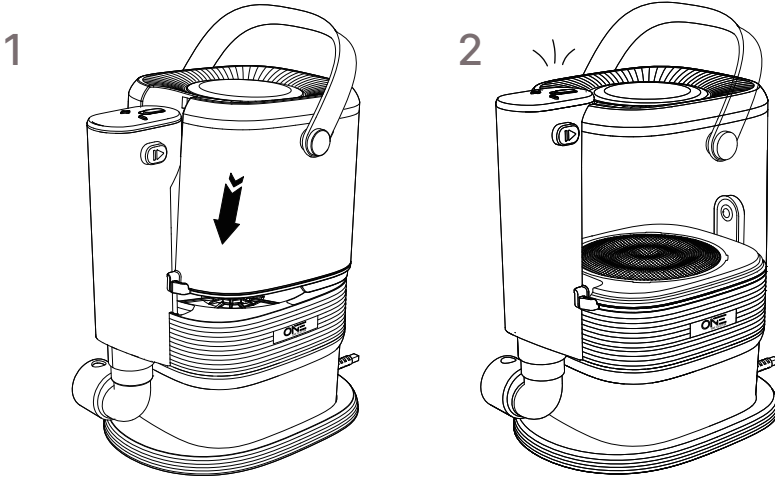


Remove the dust container, check if the proper filters are installed. Foam filter should be attached to the dust container. HEPA filter on the machine. If not placed properly, please place as shown above.

# getting started

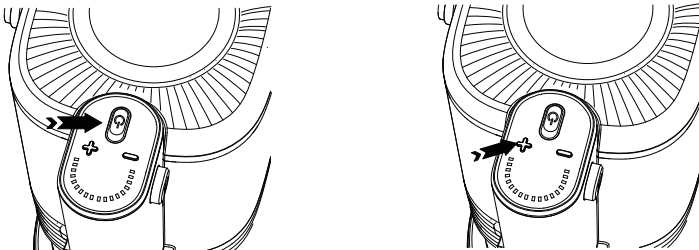
---

## Dust container placement



Align with the groove of the machine and press down, there will be a click to notify that it has been installed correctly.

## Start the machine

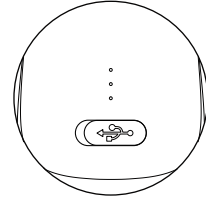
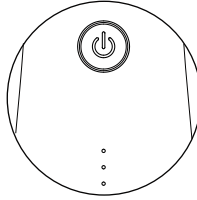
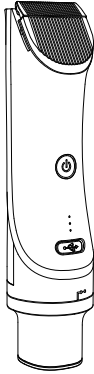


Using the Power button, turn on the vacuum. The "+" and the "-" buttons change the intensity of the vacuum.








# getting started

## Use for the Electric Clippers



Power button separate  
for the clippers

Charging port  
underneath rubber cap

Attachments	Primary Use	Other Functions
	(Crevice Tool) Clean the gaps and corners	(Brush Attachment) Used to gather dust and dirt
	(Deshedder) for the undercoat	Push and lock button to use, release to vacuum the hair
	(Slicker Brush) for loose hair and tangled hair	Push and lock button to use, release to vacuum the hair
	(Hair Remover) grabs lint and hair from clothes and fabrics	AVOID using it on pets directly
	(Electric Clippers) Use for cutting hair (Charge separately)	Comes with combs for different fur lengths (3mm, 6mm, 9mm, 12mm)

# getting started

---

## In-Depth Uses

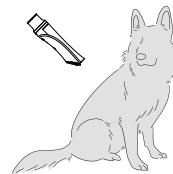
- 1 \* Deshedding Brush can remove loose hair for longer and shorter coats. It quickly reduces shedding by up to 95%
- \* Use only once a week or two to avoid irritation and injury to your pet.
  - \* Use as needed and DO NOT brush hard.



- 2 \* Slicker Brush can clean the loose, floating hair and any debris in the hair. Get rid of tangles and other small knots. Use daily for a nice soft coat.



- 3 \* Electric Clippers comes with a suction area that captures hair that has been cut to avoid making a mess on the floor.
- \* 4 different clipping combs can be used for different demands of hair style. 3mm, 6mm, 9mm, and 12mm (Only for trimming hair).
  - \* DO NOT attempt to cut hair without knowing your pets needs!!! Keep reach out of children.



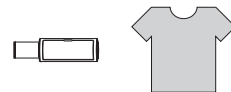
- 4 \* Crevice and Brush tool can be used for cleaning crevices like keyboards and floor edges. The brush for surfaces with dust



- 5 \* Clipping Comb can be used for different demands of hair styles. The combs are detachable, please store them properly to avoid misplacing them.



- 6 \* Hair Remover is used to clean pet hair on the surface of clothes, sofas and other fabrics. Avoid using it on pets directly.

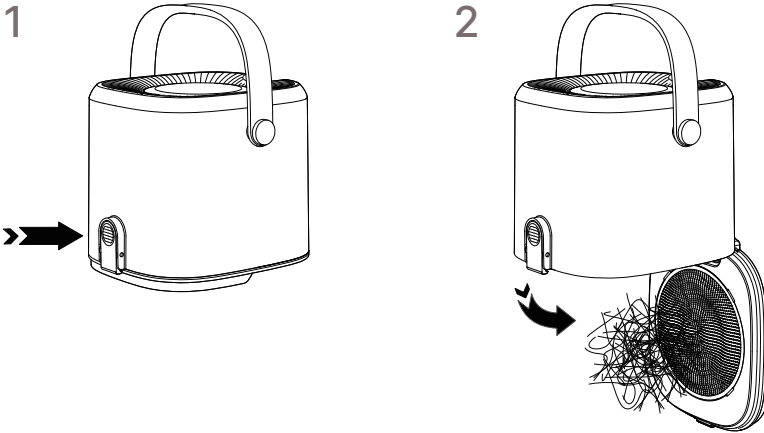


- 7 \* Keep an eye on the hose and dust container to make sur the vacuum is working properly. Clean and remove hair as needed.

# care and maintenance

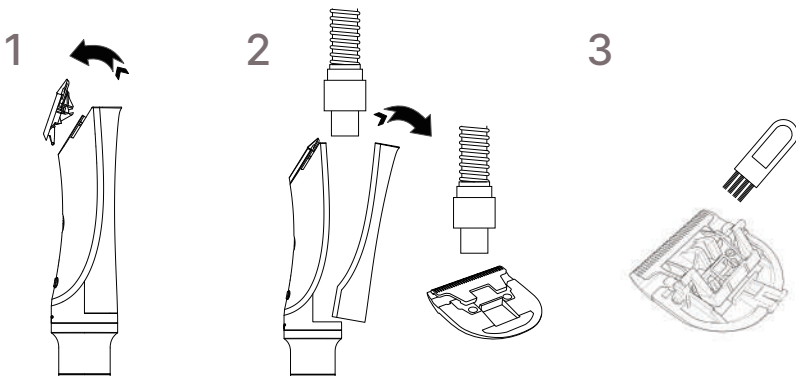
---

## Clean the Dust Container



Place the Dust Container over the dustbin. Release the latch that is holding the bottom of the container to dispose collected hair and dirt.

## Electric clipper blade care



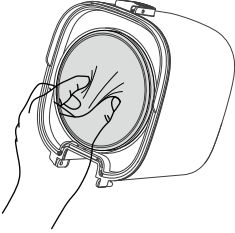
Remove the metal clippers and the cover, clean any debris on the blade and inside the attachment. Use provided brush to clean in the smaller areas.

# care and maintenance

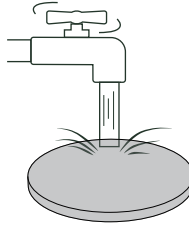
---

## Cleaning the sponge filter

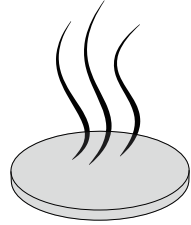
1



2

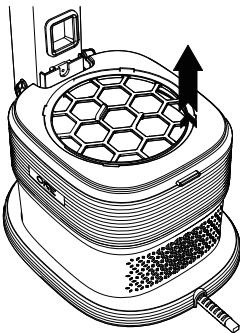


3

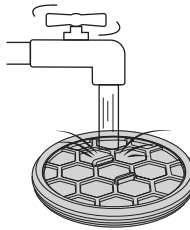


Remove the dust container and take out the foam filter. Wash with water and drain the water after cleaning. Let it set in a well-ventilated place for at least 24 hours and place it back under the dust container. Replace when needed.

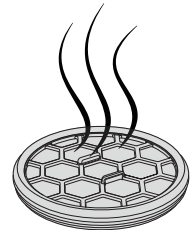
## Filter(HEPA) Clean



2



3

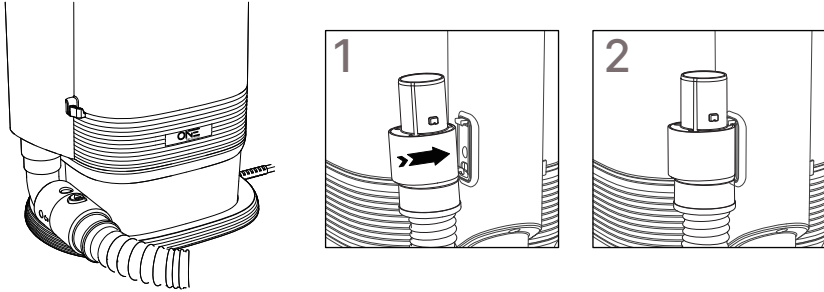


Remove the dust container and lift up the HEPA filter. Wash with water. Do not scrub, it will damage the Hepa. Drain the water as much as possible without squeezing. Once dry, place back into the vacuum with the honeycomb design facing up

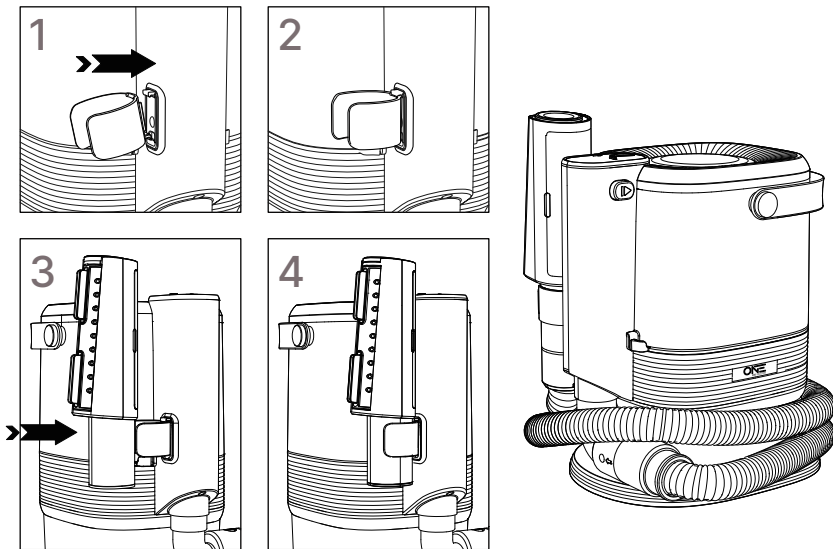
---

The sponge filter should be cleaned with cold water at least every other month.

**Storage**



The hose can attach to the side of the vacuum using the notches to hold it in place.

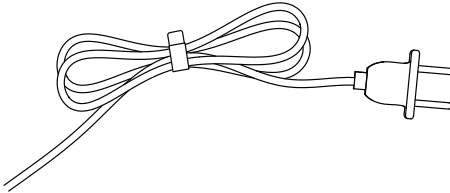


For easier use, there is another attachment to place the hose and other attachments would fit. Use the notches to clip the holder in place and have any attachment placed for quick use.

# storage

---

Strap Fasteners to hold the cable tied.



# specifications

---

Rated Voltage	100-120V/220-240V~
Rated Power	400W
N.W.	2.8kg
Product Size	245*180*300mm
Material	ABS/SS/PP
Vacuum Type	Dry
Dust Cup Capacity	3.2L
Hose Length	1.45m
Wire Length	2.6m
Noise Level	60-76dB



ONE Products USA  
[www.one-products.com](http://www.one-products.com)



MADE IN CHINA



This device complies with Part 15 of the FCC Rules.  
Operation is subject to the following two conditions:  
(1) this device may not cause harmful interference, and (2) this device must  
accept any interference received,  
including interference that may cause undesired operation.