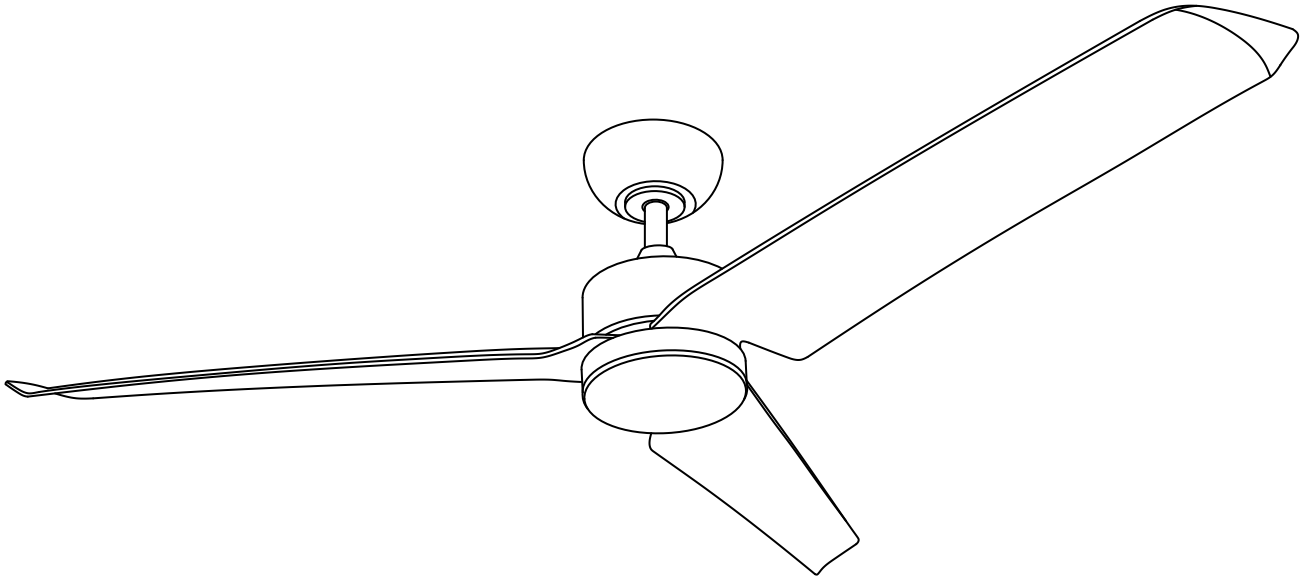


ONE
PRODUCTS




Model:OHCF03-MT

HIGH EFFICIENCY
SMART CEILING FAN

READ AND SAVE THESE INSTRUCTIONS

1. SAFETY RULES

- To reduce the risk of electric shock, ensure electricity has been turned off at the circuit breaker or fuse box before beginning.
- All wiring shall be in accordance with the National Electric Code ANSI/NFPA70 and local codes. Electrical installation should be performed by a qualified licensed electrician.
- **WARNING: To Reduce The Risk Of Fire**
Or Electric Shock, Do Not Use This Fan With Any Solid-State Speed Control Device.

 **WARNING: TO REDUCE THE RISK OF FIRE, ELECTRIC SHOCK, OR PERSONAL INJURY, MOUNT TO OUTLET BOX MARKED "ACCEPTABLE FOR FAN SUPPORT OF 35 LBS OR LESS", AND USE MOUNTING SCREWS PROVIDED WITH THE OUTLET BOX. MOST OUTLET BOXES COMMONLY USED FOR THE SUPPORT OF LIGHTING FIXTURES ARE NOT ACCEPTABLE FOR FAN SUPPORT AND MAY NEED TO BE REPLACED. CONSULT A QUALIFIED ELECTRICIAN IF IN DOUBT.**

- The fan must be mounted with a minimum of 7 feet clearance from the trailing edge of the blades to the floor.

- Avoid placing objects in the path of the blades.
- To avoid personal injury or damage to the fan and other items, be cautious when working around or cleaning the fan.
- Do not use water or detergents when cleaning the fan or fan blades. A dry dust cloth or lightly dampened cloth will be suitable for most cleaning.
- After marking electrical connections, spliced conductors should be turned upward and pushed carefully up into outlet box. The wires should be spread apart with the grounded conductor and the equipment-grounding conductor on one side of the outlet box.
- Electrical diagrams are reference only. Light kits that are not packed with the fan must be UL or CUL Listed and marked suitable for use with the model fan you are installing. Switches must be UL or CUL General Use Switches. Refer to the Instructions packaged with the light kits and switches for proper assembly.

WARNING

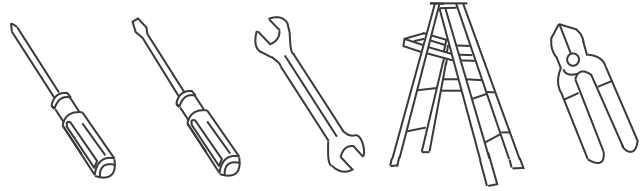
TO REDUCE THE RISK OF PERSONAL INJURY, DO NOT BEND THE BLADE BRACKETS WHEN INSTALLING THE BRACKETS, BALANCING THE BLADES, OR CLEANING THE FAN. DO NOT INSERT FOREIGN OBJECTS IN BETWEEN ROTATING FAN BLADES.

SPECIFICATION

FAN SIZE	VOLTAGE	MAX FAN POWER	MAX SPEED	GROSS WEIGHT	NET WEIGHT
52"	120V	36W	170RPM±10%	6.2KG	4.9KG

2. TOOLS AND MATERIALS REQUIRED

- Philips Screw Driver
- Blade Screw Driver
- 11 mm Wrench
- Step Ladder
- Wire Cutters

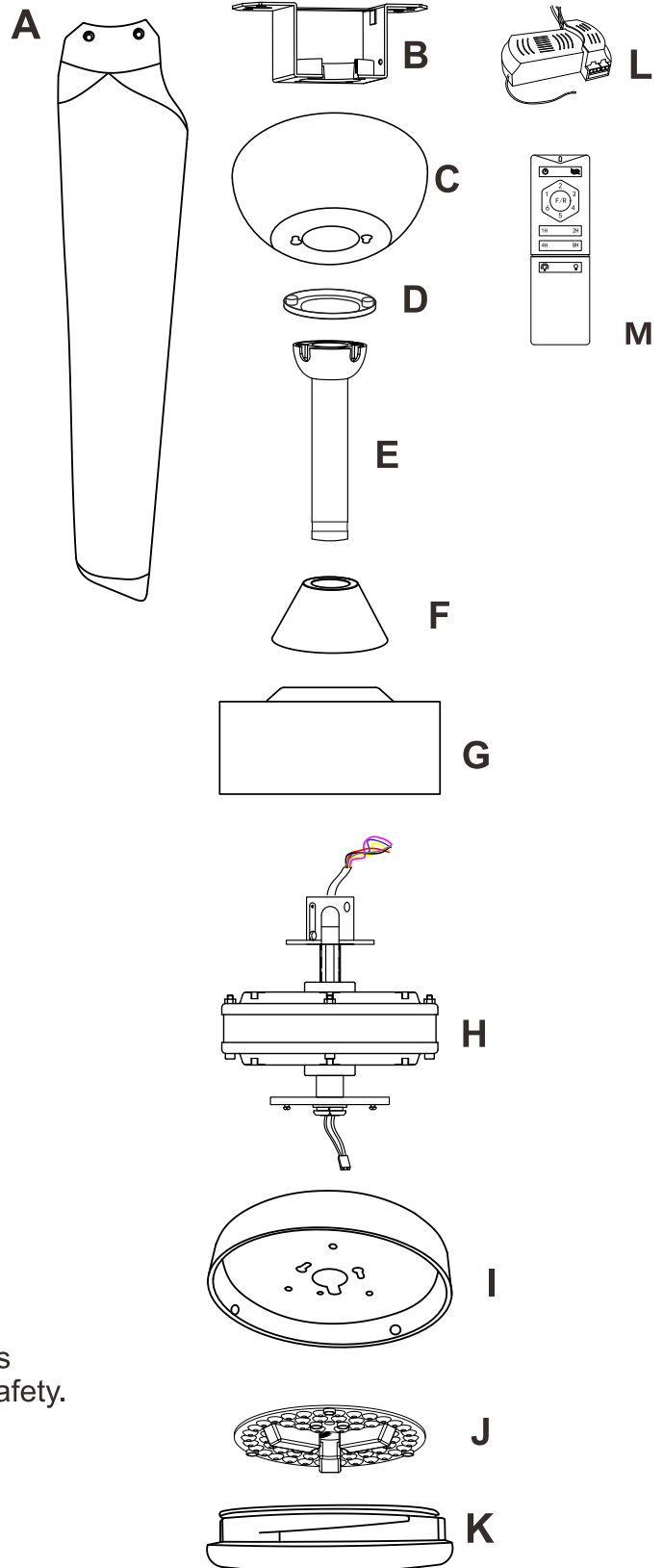


3. PACKAGE CONTENTS

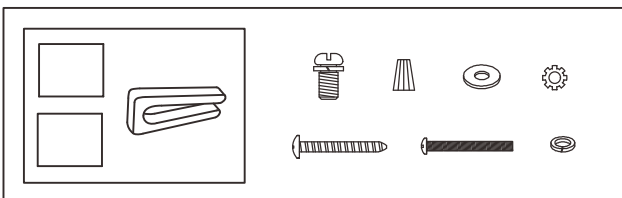
Unpack your fan and check the contents. You should have the following items:

- A.** Fan Blades(3)
- B.** Ceiling Mounting Bracket
- C.** Canopy
- D.** Canopy Cover
- E.** Ball/Downrod Assembly
- F.** Coupling Cover
- G.** Fan Housing
- H.** Fan Motor Assembly
- I.** Light Plate
- J.** Led Light Kit
- K.** Acrylic lampshade
- L.** Receiver
- M.** Remote control
- N.** Fasteners Package

- 1. Mounting Hardware
 - Wiring Cap (4) Flat Washer (4)
 - Star Washer (4) Wood Screw (4)
 - Screw (2) Spring Pad (2)
 - Blade mounting screws(7)
- 2. Blade Balance Package Spare Screws(1)
- 3. Balance Kit



N



! IMPORTANT REMINDER: You must use the parts provided with this fan for proper installation and safety.

4. INSTRUCTION OF INSTALLATION

Note: This ceiling fan can only be used for lower boom installation.

• DOWNROD MOUNTING

① CHOICE OF INSTALLATION LOCATION

If there isn't an existing UL (CUL for Canadian Installation) listed mounting box, then read the following instructions. Disconnect the power by removing fuses or turning off circuit breakers.

Figures 1 and 2 are examples of different ways to mount the outlet box.

NOTE: If you are installing the ceiling fan on a sloped (vaulted) ceiling, you may need a longer downrod to maintain proper clearance between the tip of the blade and the ceiling. A minimum clearance of 12" is suggested for optimal operation.

NOTE: Depending on the location you have selected for installation, you may need to purchase and install a "Joist Hanger" for the support of the outlet box. Make sure the joist hanger you purchase has been designed for use with ceiling fans. (Fig.4)

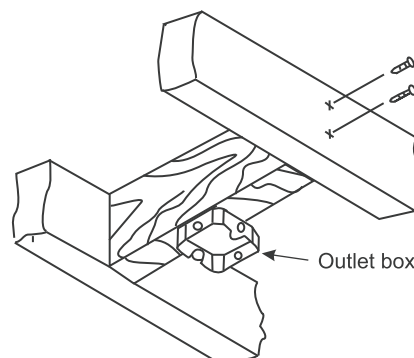


Fig.1

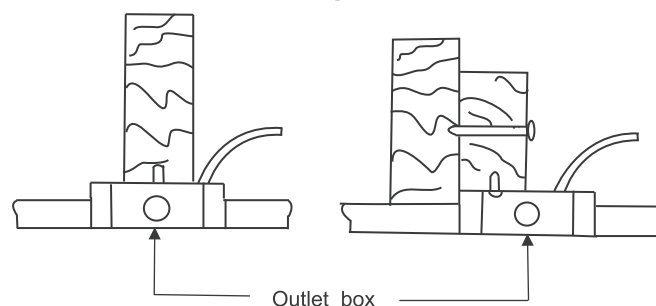


Fig.2

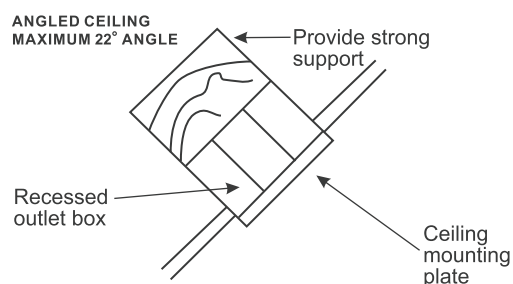


Fig.3

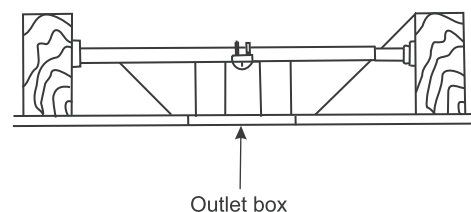


Fig.4

② BRACKET INSTALLATION

REMEMBER to turn off the power. Follow the steps below to hang your fan properly.

NOTE:

This ceiling fan is supplied with two types of hanging assemblies; the standard ceiling installation using the downrod with ball and socket mounting and the "close-to-ceiling" installation. The "close-to-ceiling" installation is recommended in rooms with less than 8-foot ceilings or in areas where additional space is desired from the floor to the fan blades.

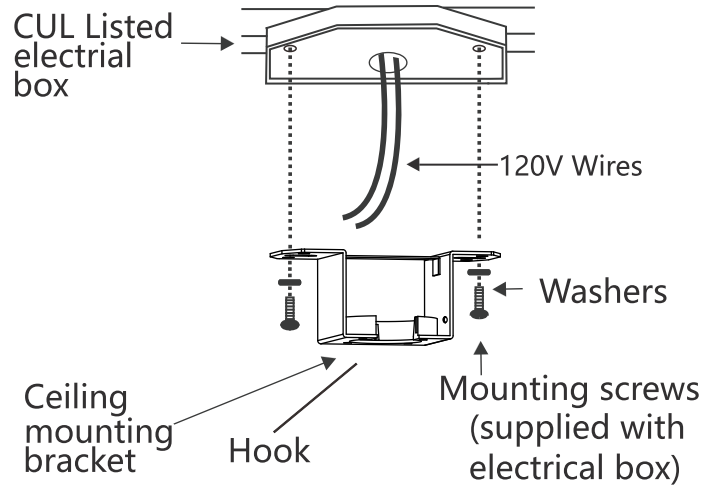
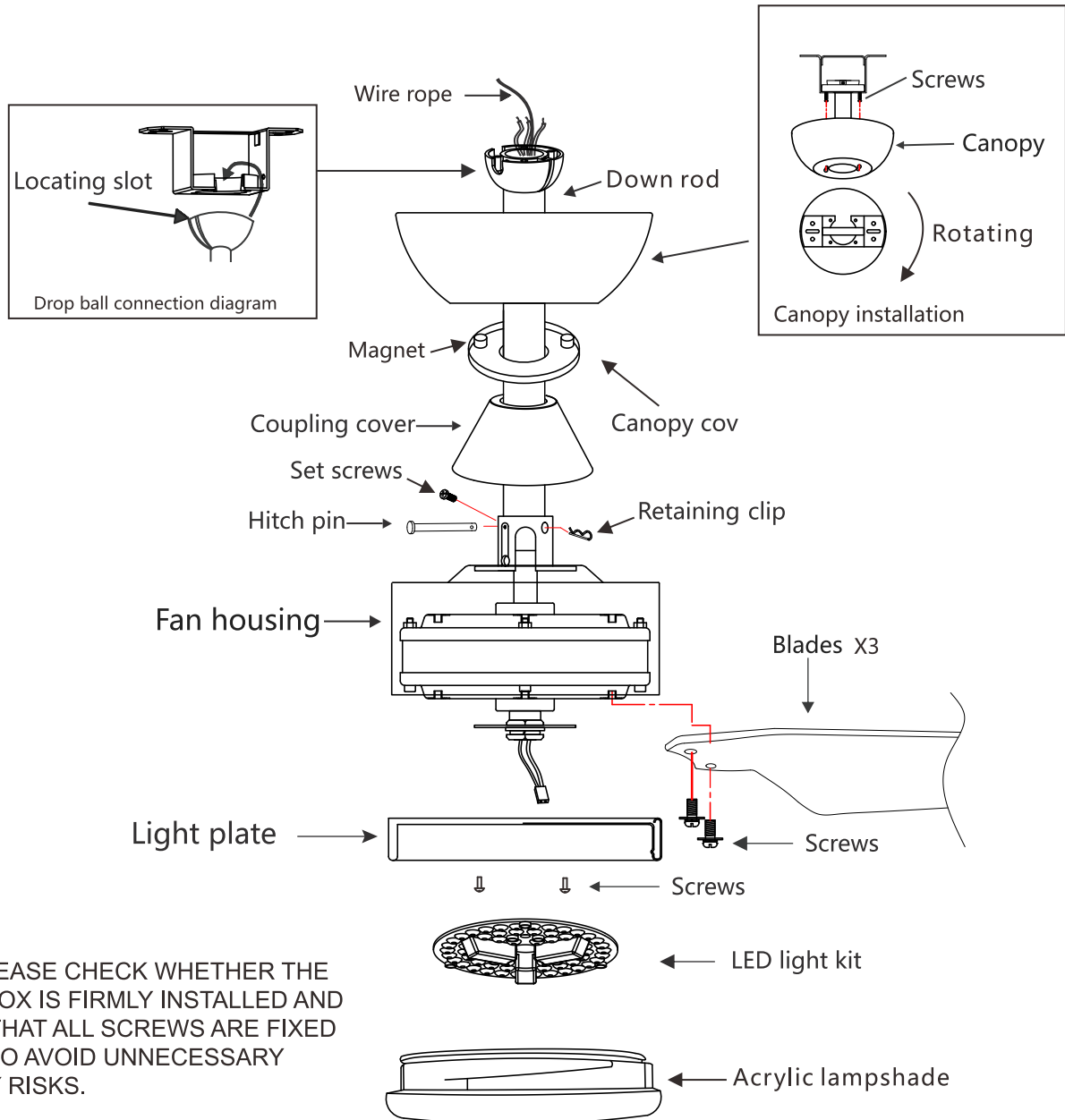


Fig.5

③ SCHEMATIC DIAGRAM OF THE WHOLE MACHINE INSTALLATION



NOTE: PLEASE CHECK WHETHER THE OUTLET BOX IS FIRMLY INSTALLED AND ENSURE THAT ALL SCREWS ARE FIXED TIGHTLY TO AVOID UNNECESSARY SECURITY RISKS.

NOTE:DO NOT OVER TIGHTEN!



Fig.6

④ ELECTRIC CONNECTIONS

⚠ WARNING: To avoid possible electrical shock, be sure you have turned off the power at the main circuit panel. Follow the steps below to connect the fan to your household wiring. Use the wire connecting nuts supplied with your fan. Secure the connectors with electrical tape. Make sure there are no loose wire strands or connections.

Step 1. Insert the receiver into the ceiling mounting bracket with the flat side of the receiver facing the ceiling (Fig.7). For best performance, make sure the black antenna, on the end of the receiver, remains extended and not tangled with any of the electrical wires.

Step 2. Motor to Receiver Electrical Connections (Fig. 8)

- Connect the brown wire from the fan to the brown wire marked on the receiver.
- Connect the Red wire from the fan to the Red wire marked on the receiver.
- Connect the Gray wire from the fan to the Gray wire marked on the receiver.
- Connect the Blue wire from the fan to the Blue wire marked on the receiver.
- Connect the White wire from the fan to the White wire marked on the receiver.

Secure each set of wire connections with the plastic wire nuts provided in the parts bag.

NOTE: The fan running wire and the grounding wire should be placed separately on both sides of the wire box and should not be put together.

Step 3. Receiver to Supply Wires Electrical Connections: (Fig. 8)

- Connect the black (load) wire from the ceiling outlet box to the black wire marked on the receiver.
- Connect the white (LIGHT) wire from the ceiling outlet box to the white wire marked on the receiver. Secure each set of electrical connections with the plastic wire nuts provided in the parts bag.

Step 4. Connect the ground wire (green or bare copper) from the outlet box to the ground wire on the ceiling mounting bracket and the ground wire from the ceiling fan.

After making all connections, separate the white and green wire connections to one side and the black wire connections to the other side of the outlet box.

NOTE: Fan must be installed at a maximum distance of 30 feet from the Hand Held Remote Transmitter for optimal signal transmission between the transmitter and the fan's receiving unit.

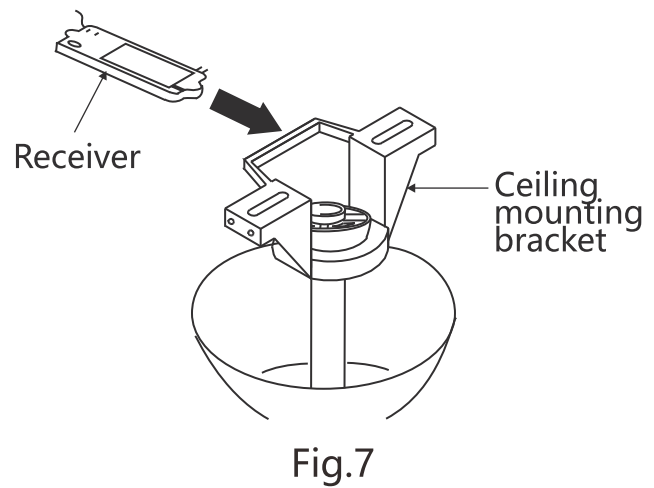


Fig.7

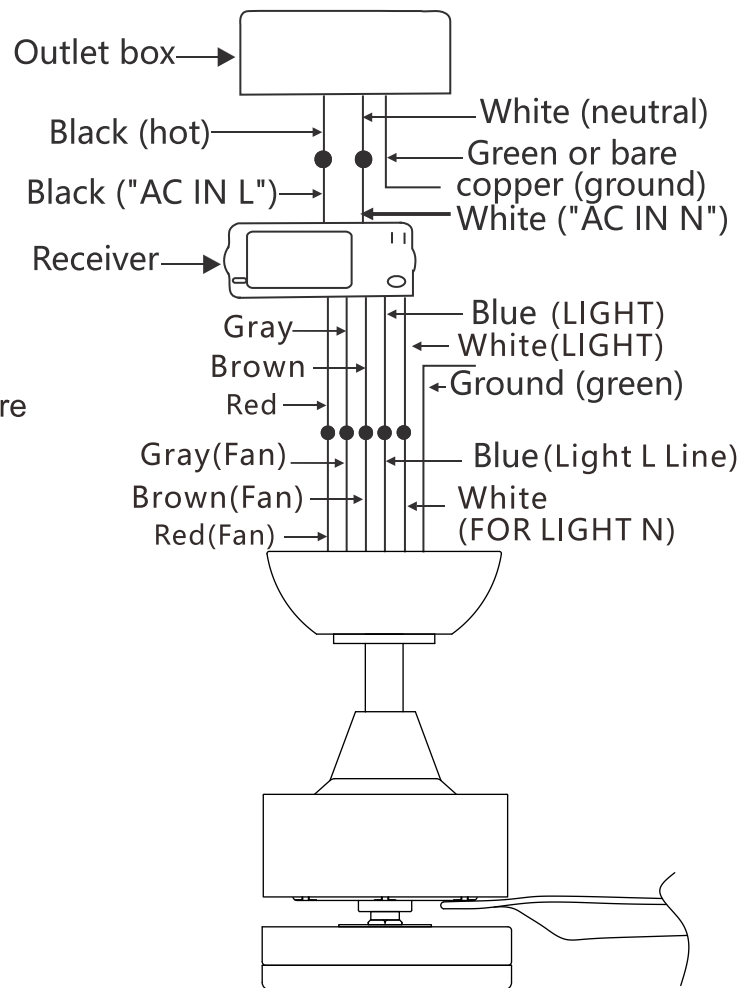
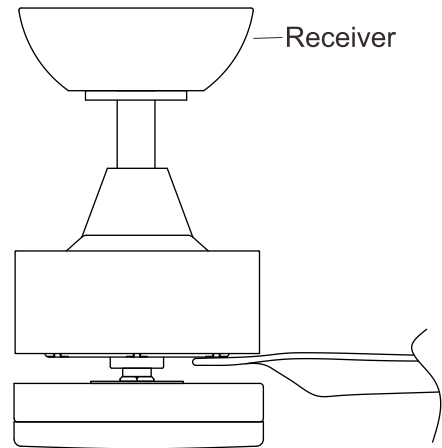
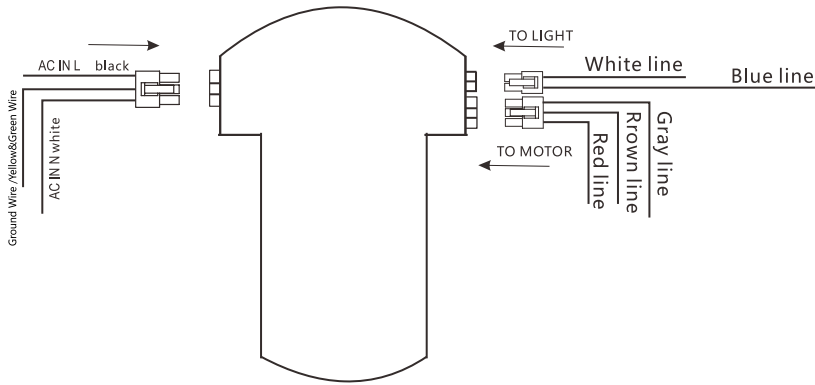


Fig.8

WIRING SCHEMATIC DIAGRAM FOR RECEIVER



POWER PARAMETER LIST

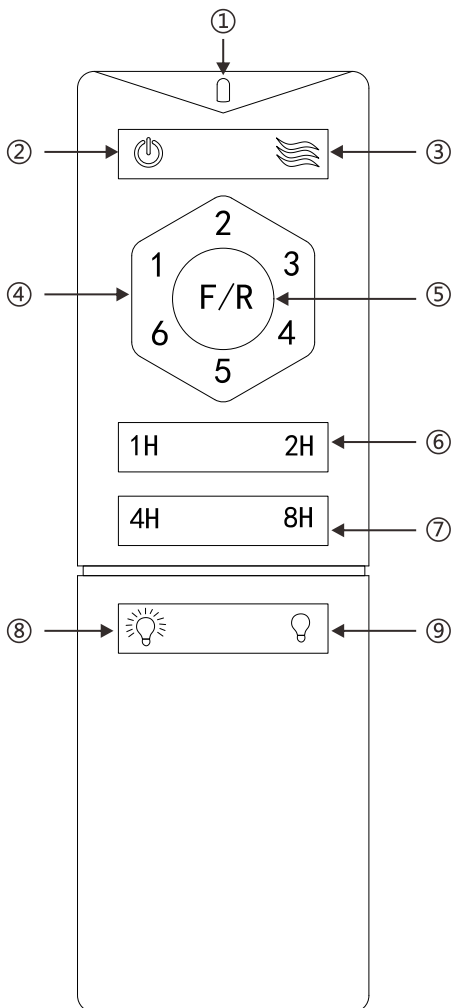
Voltage	Fan (max.)	Lamp (max.)
110-130V	50W	36W

Remote controlled enabled. (If the remote is damaged or does not work, please send back both the remote and the fan for maintenance)

Control the fan from anywhere in the room.

Built-in memory function to save the last settings when turned OFF.

REMOTE CONTROLLER FUNCTIONS



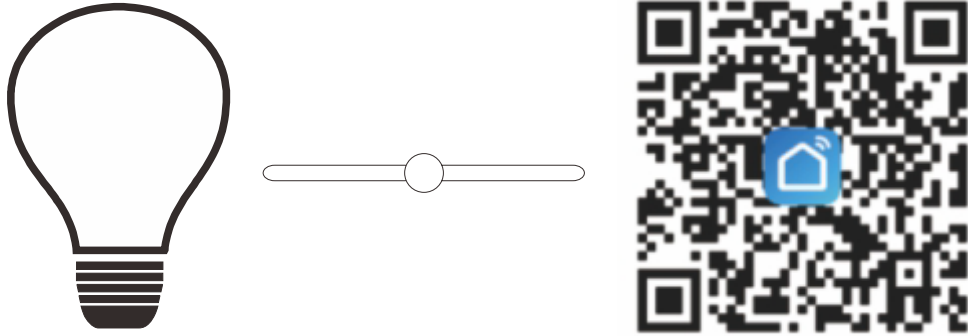
1. Remote control panel

- ①: Indicator light
- ②: Fan ON/OFF
- ③: Natural wind function
- ④: Fan speed (1-6)
- ⑤: Reverse function
- ⑥: Timer buttons (1 hour & 2 hours)
- ⑦: Timer buttons (4 hours & 8 hours)
- ⑧: Toggle light ON
- ⑨: Toggle light OFF

2. Remote control and receiver pairing instructions

After the remote control receiver is powered on, long press the "⏻" button on the remote control until you hear two consecutive "beep" sound to complete the matching

Mobile App Pairing Instructions:Download"Smart Life" Mobile App



Step 1:

Hold down the reverse function (F/R) on the remote control to enter pairing mode. A beep will sound when it has entered pairing mode. Once paired, wait a minute to complete pairing.

Step 2:

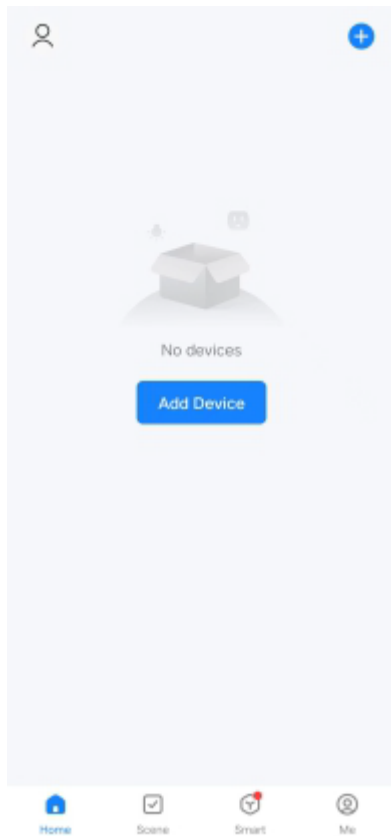
Complete the installation of pairing progress in MobileAPP.

- a. Open "Smart Life" Mobile App.
- b. Press the "Add Device" button in the middle of the screen
- c. Under "Add Device" select "Small Home Appliances" .
- d. Select "Fan(Wi-Fi)" .
- e. Click "Confirm the indicator is blinking" and type in your Wi-Ficode&password,then click "OK" .
- f. Once connected, you can select the fan you want to control from the home screen

*** If the connection fails, repeat the preceding steps.**

Detailed operation

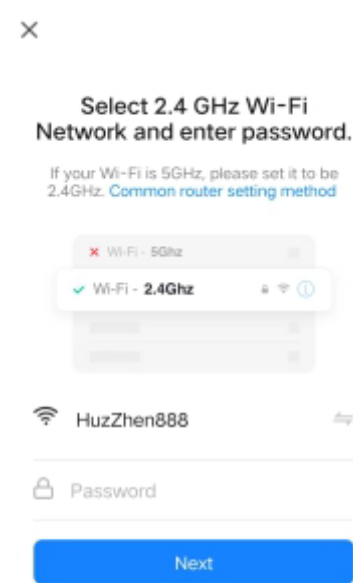
① Press the "Add Device" button



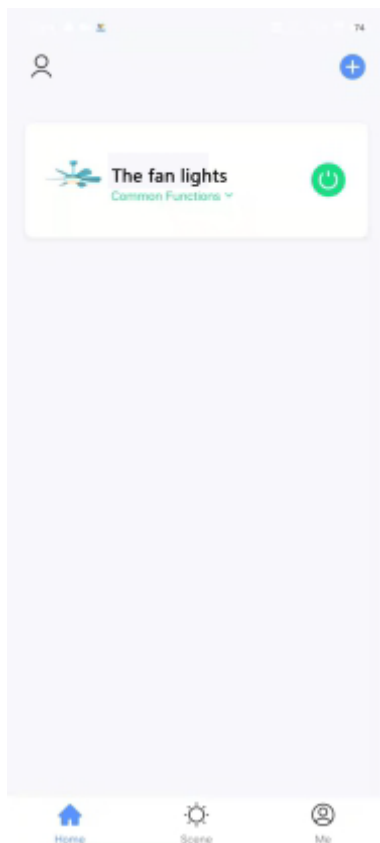
② Find the "Fan(Wi-Fi)"



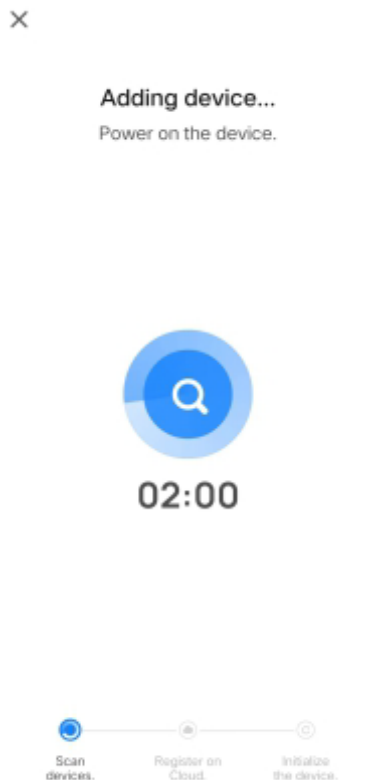
③ Enter WiFi password



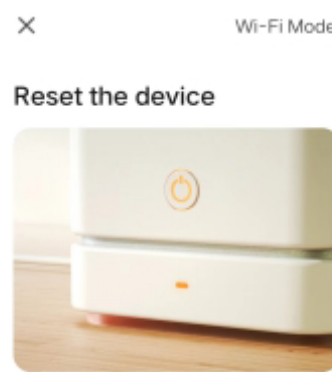
⑥ The connection is successful



⑤ Waiting for the connection



④ Confirm that the indicator is blinking

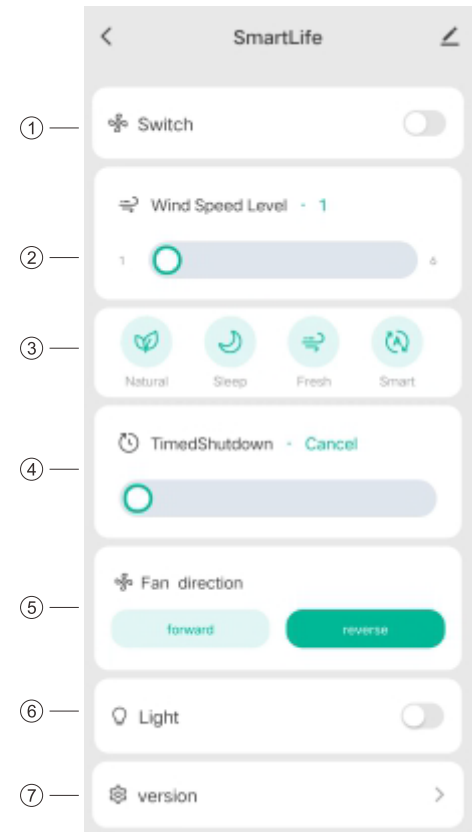


Press and hold the RESET button for 5 seconds until the indicator blinks (subject to the user manual).



Fan control panel function display

- ① The fan switch
- ② Wind speed choice
- ③ Choose the type of wind
- ④ Turn off the fan periodically
- ⑤ Select forward or reverse rotation
- ⑥ Light switch
- ⑦ Version



● Q&A

Q: If you can't pair the Smart Life APP.

A:

1. Please check whether the Wi-Fi network is 2.4g
2. Turn on and off the power supply for more than five times. After hearing the beep sound and entering the connection state, complete the connection within one minute.
3. Pairing Smart Life Mobile APP again.

Q: If you application can't control the receiver.

A:

1. Turn on and off the power supply for more than five times. After hearing the beep sound and entering the connection state, complete the connection within one minute.
2. Pairing Smart Life Mobile APP again.

Q: How to turn off the voice control of fan lights in the APP

A:

1. Open the page of the fan light controller app and turn on the fan light.
2. Select "Settings"
3. Turn off the "Voice" settings
4. Restart the fan light, the setting is successful.

Q: I want to remove the match between app and fan light

***After the data is cleared, the fan cannot be controlled by the application**

A:

1. Please check whether the Wi-Fi network is 2.4g
2. After powering on and off five times in a row, the receiver will return to its default state and unpair from the application

How to connect to Google Assistant ?

1. Complete product networking configuration in the Smart Life App

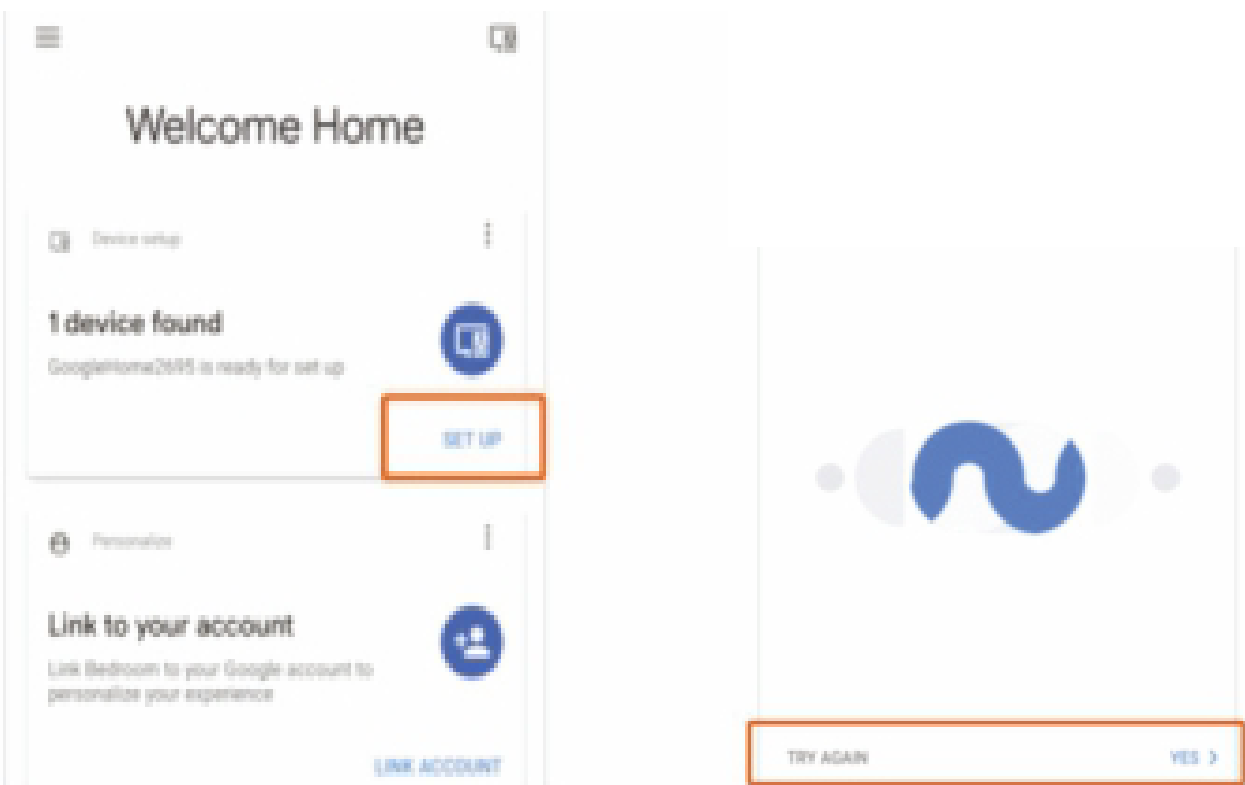
Complete the device's networking configuration according to the prompts in the App

Note: In the App, change the name of the device to an easily identify

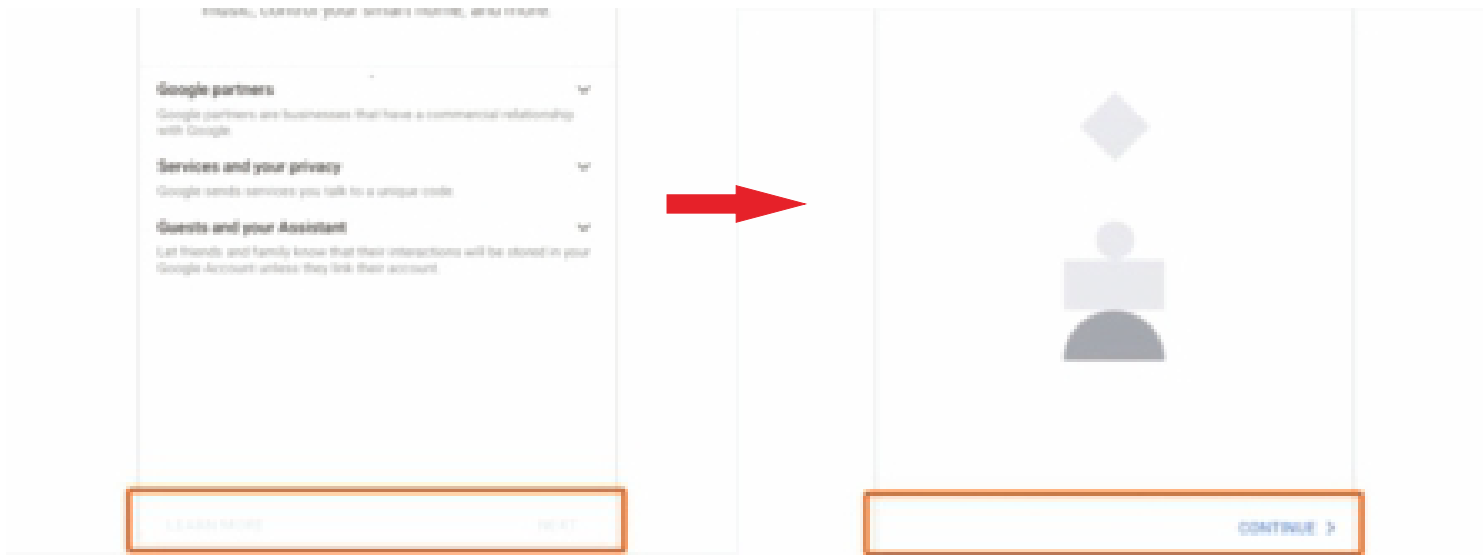
2. Configure Google Home device

(If you have already configured Google Home, you can skip this step. The following instructions are based for iOS client)

- Make sure your Google Home device is powered on and connected to a Wi-Fi network.
- Open the Google Home app on your phone. After successful login, tap on the menu in the upper left corner and select "SET UP"
- It will notify you with a sound to ensure that you are connected to the correct device. After you hear the sound, tap "YES" to proceed to the next step.



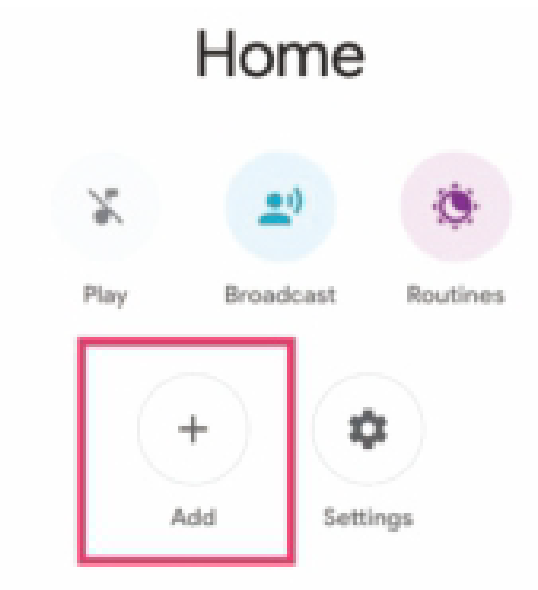
- You can choose to differentiate the room where Google Home is located from other Google devices. Then, select the Wi-Fi network and language, wait for the system to complete the configuration, and tap "next."
- According to the page prompts, choose whether to agree to the corresponding operation. When the page displays "Google Home is ready," select "continue"



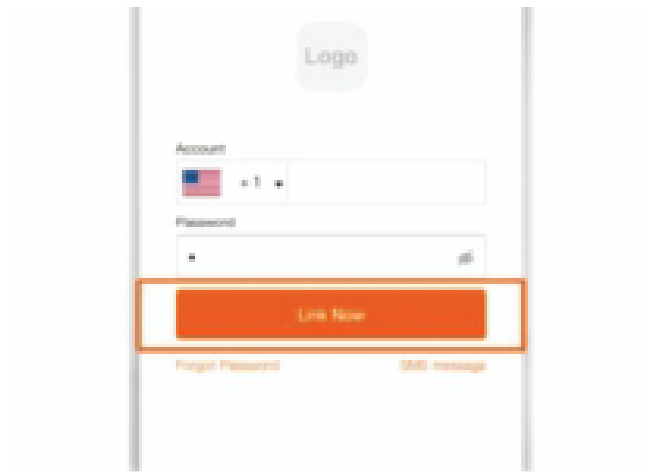
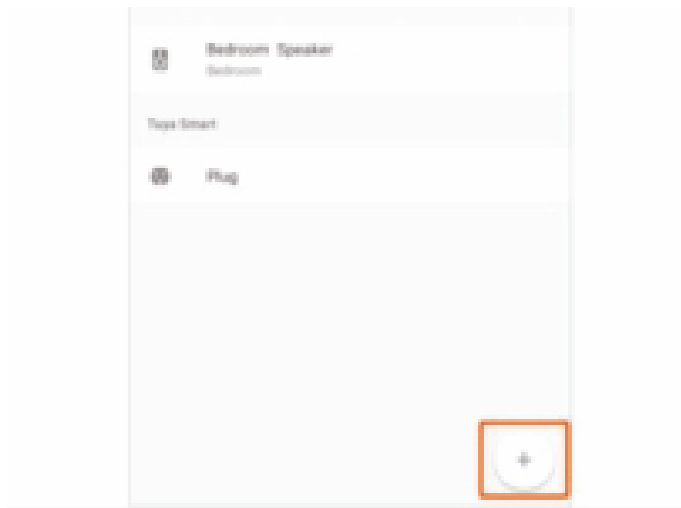
- Next is the voice control guide tutorial. Once you're done listening, tap "FINISH SET UP." At this point, Google Home setup is complete.

3. Key step - link Acti n

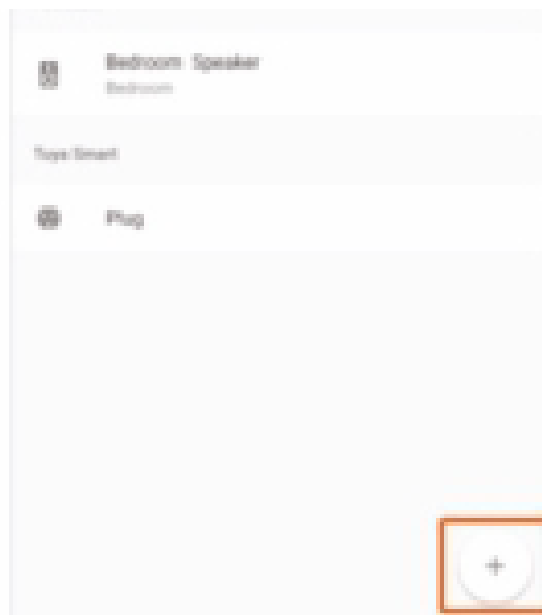
- On the main page of the Google Home app, tap the sidebar menu in the top left corner and select "Home Control."



- Then click the plus sign in the lower right corner and search for "smart life."
- Find smart Life in the list and open it, select the country of your Smart Life app account, enter your Smart Life app account and password, and click "Link now".



- Enter the Smart Life app account and password, then tap [Link Now] to link your Smart Life account. Choose the room where your device is located, and then the skill will appear on the Home Control Devices list. Now you can begin your smart home journey.



4. Control your smart device with Google Home

Now you can control your smart device with Google Home. With the Ceiling fan light as an example, the supported commands include (Google Home currently only supports English commands):

ok google, set fanspeed to 1 on DEVICE NAME
ok google, set fanspeed to 2 on DEVICE NAME
ok google, set fanspeed to 3 on DEVICE NAME
ok google, power on DEVICE NAME
ok google, power off DEVICE NAME

How do I connect to Amazon Alexa?

The following is an example using Amazon Alexa.

1. Complete product networking configuration in the Smart Life App

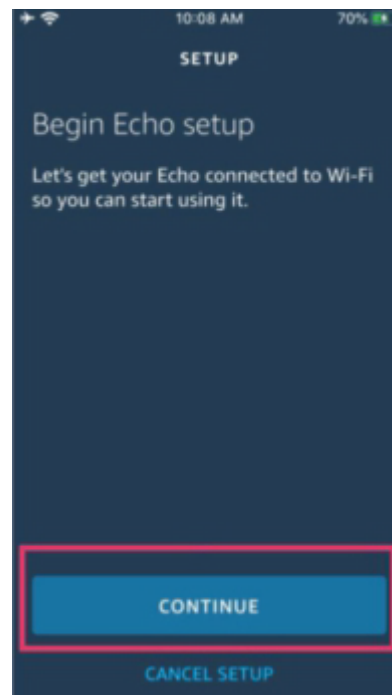
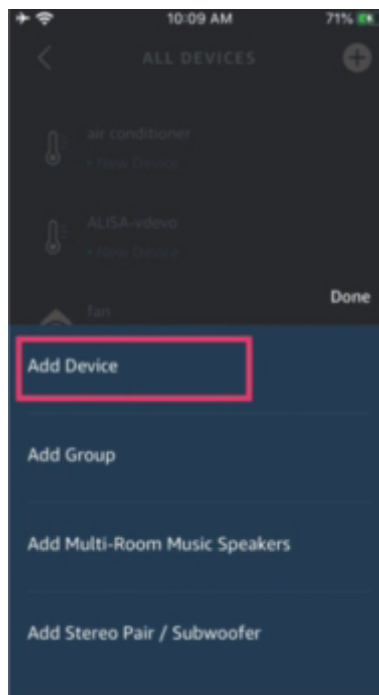
Complete the device's networking configuration according to the prompts in the App

Note: In the App, change the name of the device to an easily identifiable name such as Alexa; such as "bed light"

2. Configure the Amazon Alexa device

(If you have already configured Amazon Alexa, you can skip this step. The following instructions are based for iOS)

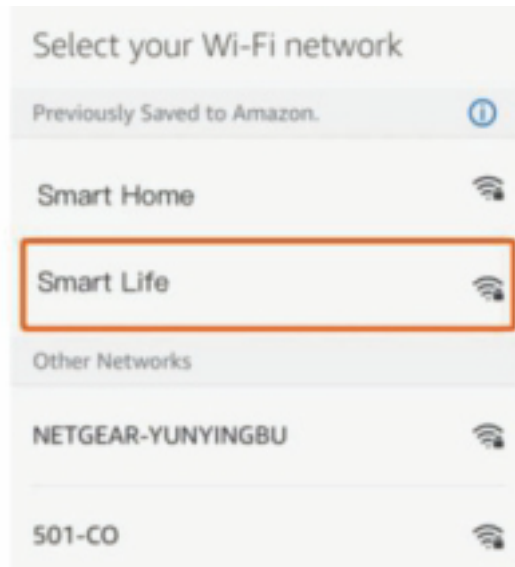
- Make sure your Amazon Alexa device is powered on and connected to a Wi-Fi network.
- Open the Alexa app on your phone. After successful login, tap on the menu in the upper left corner of the Home page, select "Settings" and tap "Set Up A New Device" to set up the Amazon Alexa.



- Choose your Amazon Alexa device type and language for connecting. Press and hold the small dot on the device until the light turns yellow. Then tap "Continue" to connect to the hotspot.

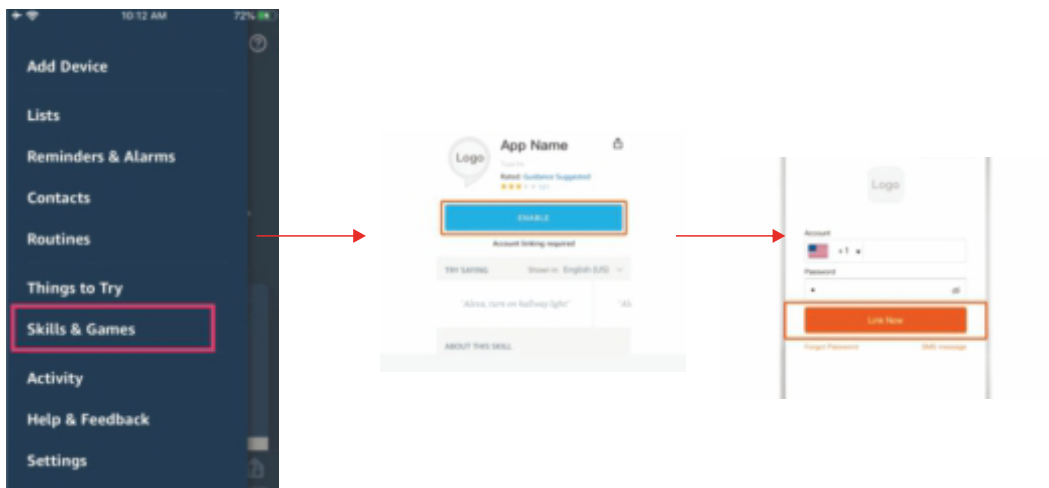
After connecting to the Amazon Alexa hotspot, return to the page. At this point, the connection is successful. Tap "Continue" to proceed to the next step. Choose a Wi-Fi network to connect to. Amazon Alexa will take a few minutes to try to connect to the network.

- After the network connection is successful, Tap [Continue] An introduction video will appear. After the video ends, Tap [Continue] to jump to the Alexa Home page. You have now completed the Amazon Alexa's configuration process.



3. Key step - link Skills

- Tap on "Skills" in the Alexa app menu.
- Then search for "Smart Life". Tap "Enable" to enable the Skill.
- Enter the Smart Life APP account and password, then tap [Link Now] to link your Smart Life account to enable the Skill. Now you can start your smart home journey.



4. Common commands

Control the device via voice commands Now you can control your smart device with Alexa. You can control your device (such as your Ceiling fan light) with the following commands:

- Alexa, turn on XXXX**
- Alexa, turn off XXXX**
- Alexa, set the fan speed to 1**
- Alexa, set the fan speed to 2**
- Alexa, set the fan speed to 3**