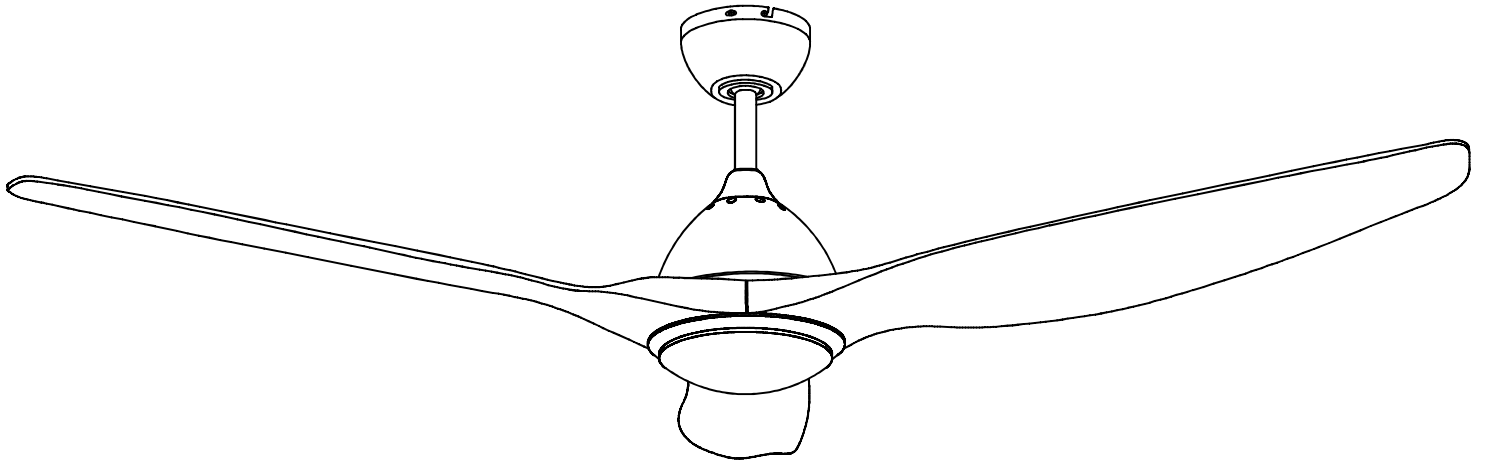


ONE
HOME COLLECTION




Model:OHCF02

HIGH EFFICIENCY
SMART CEILING FAN

READ AND SAVE THESE INSTRUCTIONS

1. SAFETY RULES

- To reduce the risk of electric shock, ensure electricity has been turned off at the circuit breaker or fuse box before beginning.
 - All wiring shall be in accordance with the National Electric Code ANSI/NFPA70 and local codes. Electrical installation should be performed by a qualified licensed electrician.
 - **WARNING: To Reduce The Risk Of Fire**
Or Electric Shock, Do Not Use This Fan With Any Solid-State Speed Control Device.
-  **WARNING:** TO REDUCE THE RISK OF FIRE, ELECTRIC SHOCK, OR PERSONAL INJURY, MOUNT TO OUTLET BOX MARKED “ACCEPTABLE FOR FAN SUPPORT OF 35 LBS OR LESS”, AND USE MOUNTING SCREWS PROVIDED WITH THE OUTLET BOX. MOST OUTLET BOXES COMMONLY USED FOR THE SUPPORT OF LIGHTING FIXTURES ARE NOT ACCEPTABLE FOR FAN SUPPORT AND MAY NEED TO BE REPLACED. CONSULT A QUALIFIED ELECTRICIAN IF IN DOUBT.
- The fan must be mounted with a minimum of 7 feet clearance from the trailing edge of the blades to the floor.

- Avoid placing objects in the path of the blades.
- To avoid personal injury or damage to the fan and other items, be cautious when working around or cleaning the fan.
- Do not use water or detergents when cleaning the fan or fan blades. A dry dust cloth or lightly dampened cloth will be suitable for most cleaning.
- After marking electrical connections, spliced conductors should be turned upward and pushed carefully up into outlet box. The wires should be spread apart with the grounded conductor and the equipment-grounding conductor on one side of the outlet box.
- Electrical diagrams are reference only. Light kits that are not packed with the fan must be UL or CUL Listed and marked suitable for use with the model fan you are installing. Switches must be UL or CUL General Use Switches. Refer to the Instructions packaged with the light kits and switches for proper assembly.

WARNING

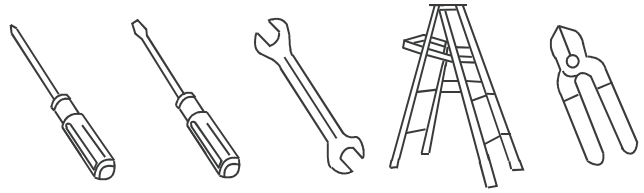
TO REDUCE THE RISK OF PERSONAL INJURY, DO NOT BEND THE BLADE BRACKETS WHEN INSTALLING THE BRACKETS, BALANCING THE BLADES, OR CLEANING THE FAN. DO NOT INSERT FOREIGN OBJECTS IN BETWEEN ROTATING FAN BLADES.

SPECIFICATION

FAN SIZE	VOLTAGE	MAX FAN POWER	MAX SPEED	GROSS WEIGHT	NET WEIGHT
52"	120V	70W	160RPM±10%	8KG	6.8KG

2. TOOLS AND MATERIALS REQUIRED

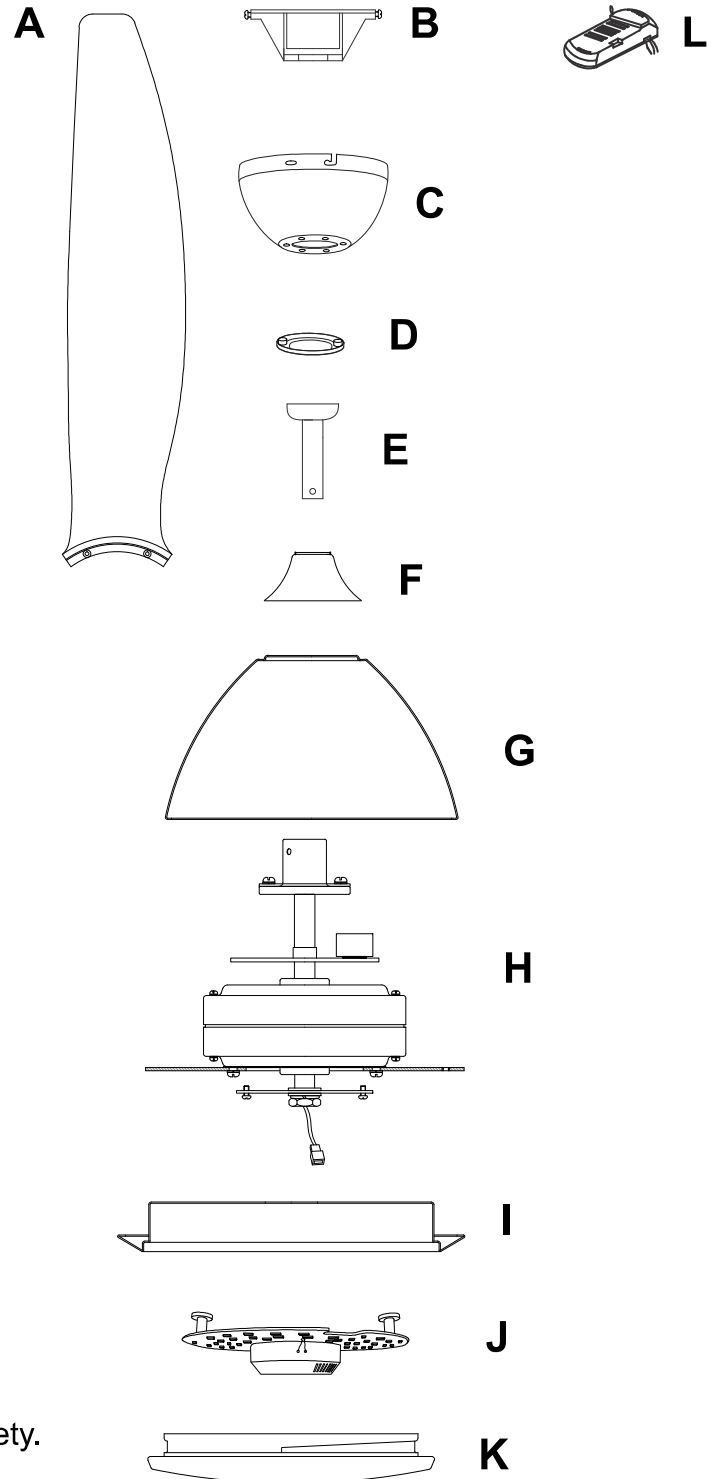
- Philips Screw Driver
- Blade Screw Driver
- 11 mm Wrench
- Step Ladder
- Wire Cutters



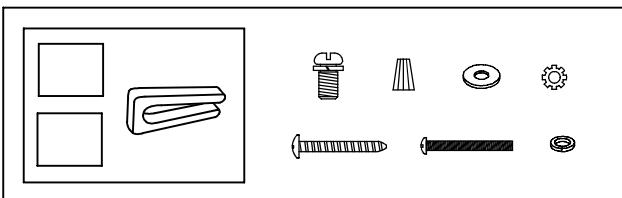
3. PACKAGE CONTENTS

Unpack your fan and check the contents. You should have the following items:

- A. Fan Blades (3)
- B. Ceiling Mounting Bracket
- C. Canopy
- D. Canopy Cover
- E. Ball/Downrod Assembly
- F. Coupling Cover
- G. Fan Housing
- H. Fan Motor Assembly
- I. Light Plate
- J. Led Light Kit
- K. Glass Shade
- L. Receiver
- M. Fasteners Package
 - 1. Mounting Hardware
 - Wiring Cap (6) Flat Washer (4)
 - Star Washer (4) Wood Screw (4)
 - Screw (2) Spring Pad (4)
 - 2. Blade Balance Package Spare Screws(1)
 - 3. Balance Kit



M



IMPORTANT REMINDER: You must use the parts provided with this fan for proper installation and safety.

4. INSTRUCTION OF INSTALLATION

Note: This ceiling fan is available for either downrod mounting or flush mounting.

• DOWNROD MOUNTING

① CHOICE OF INSTALLATION LOCATION

If there isn't an existing UL (CUL for Canadian Installation) listed mounting box, then read the following instructions. Disconnect the power by removing fuses or turning off circuit breakers.

Figures 1 and 2 are examples of different ways to mount the outlet box.

NOTE: If you are installing the ceiling fan on a sloped (vaulted) ceiling, you may need a longer downrod to maintain proper clearance between the tip of the blade and the ceiling. A minimum clearance of 12" is suggested for optimal operation.

NOTE: Depending on the location you have selected for installation, you may need to purchase and install a "Joist Hanger" for the support of the outlet box. Make sure the joist hanger you purchase has been designed for use with ceiling fans. (Fig.4)

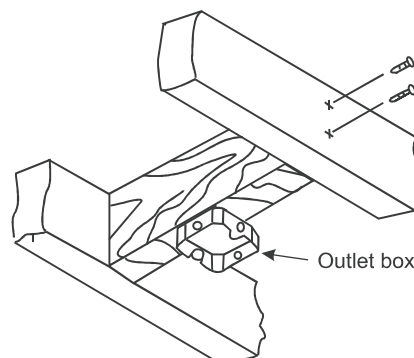


Fig.1

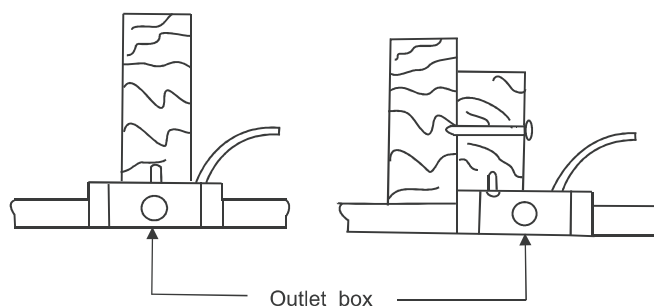


Fig.2

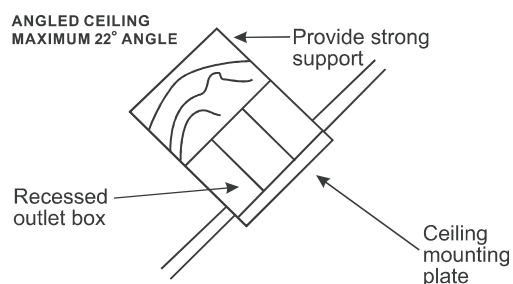


Fig.3

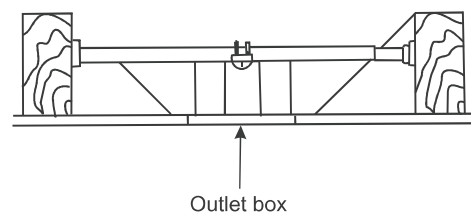


Fig.4

② BRACKET INSTALLATION

REMEMBER to turn off the power. Follow the steps below to hang your fan properly.

NOTE:

This ceiling fan is supplied with two types of hanging assemblies; the standard ceiling installation using the downrod with ball and socket mounting and the "close-to-ceiling" installation. The "close-to-ceiling" installation is recommended in rooms with less than 8-foot ceilings or in areas where additional space is desired from the floor to the fan blades.

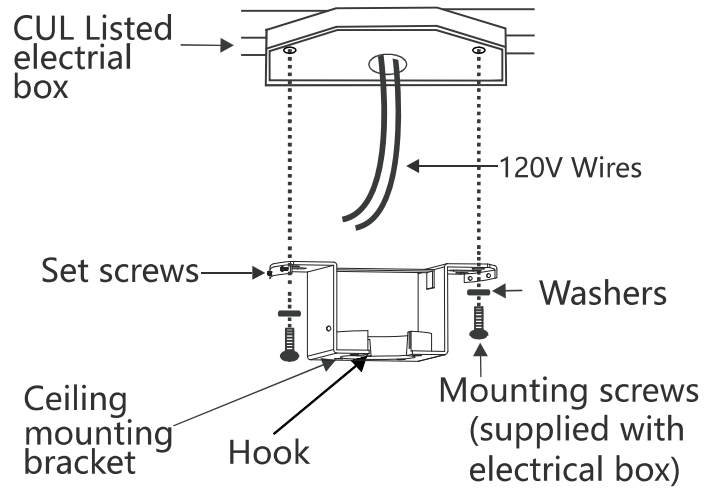


Fig.5

③ SCHEMATIC DIAGRAM OF THE WHOLE MACHINE INSTALLATION

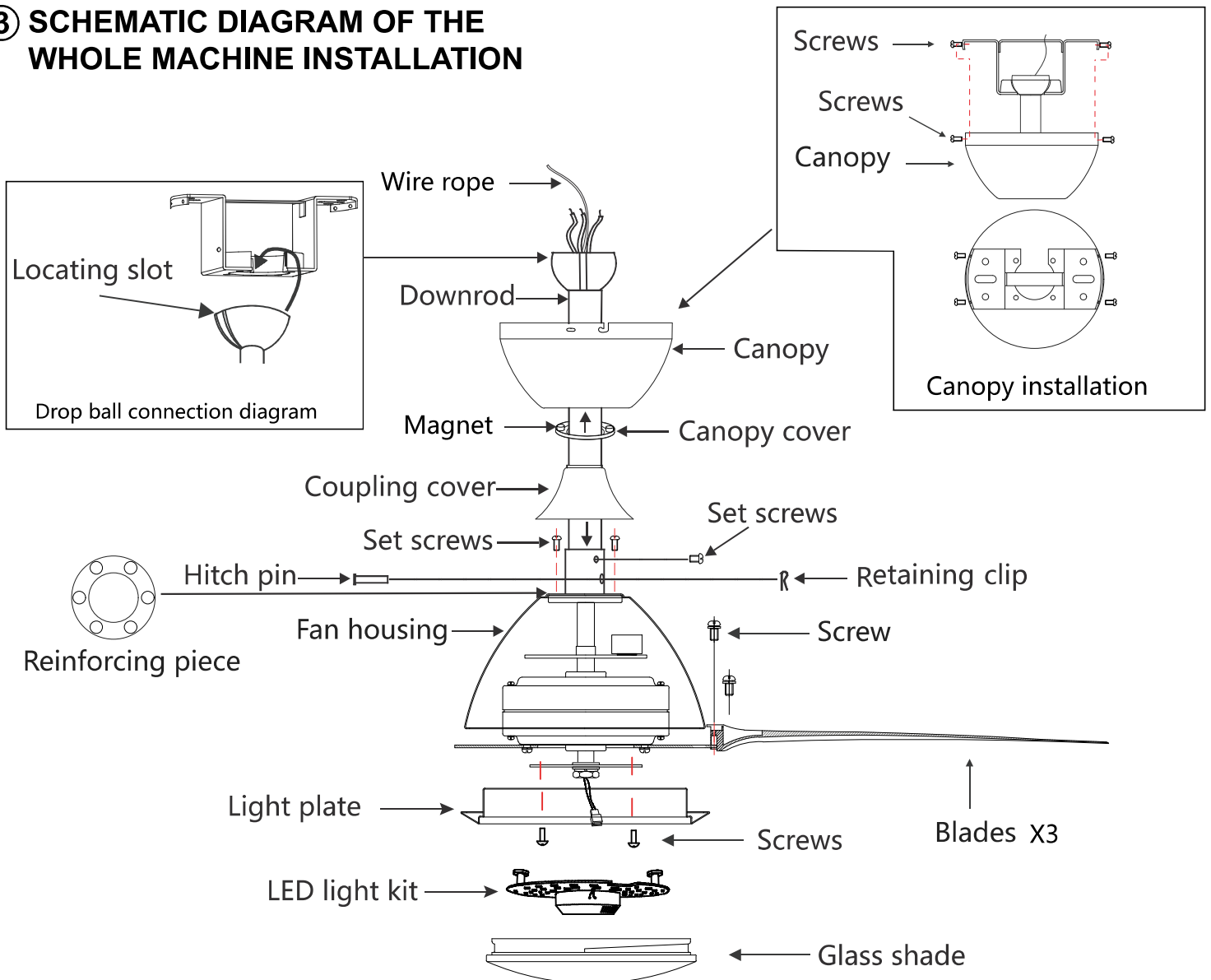


Fig.6

NOTE: PLEASE CHECK WHETHER THE OUTLET BOX IS FIRMLY INSTALLED AND ENSURE THAT ALL SCREWS ARE FIXED TIGHTLY TO AVOID UNNECESSARY SECURITY RISKS.

NOTE: DO NOT OVER TIGHTEN!

④ ELECTRIC CONNECTIONS

⚠ WARNING: To avoid possible electrical shock, be sure you have turned off the power at the main circuit panel. Follow the steps below to connect the fan to your household wiring. Use the wire connecting nuts supplied with your fan. Secure the connectors with electrical tape. Make sure there are no loose wire strands or connections.

Step 1. Insert the receiver into the ceiling mounting bracket with the flat side of the receiver facing the ceiling (Fig.7). For best performance, make sure the black antenna, on the end of the receiver, remains extended and not tangled with any of the electrical wires.

Step 2. Motor to Receiver Electrical Connections (Fig. 8)

- Connect the black wire from the fan to the black wire marked "FAN" on the receiver.
- Connect the white wire from the fan to the white wire marked "COM" on the receiver.
- Connect the blue wire from the fan to the blue wire marked "LIGHT" on the receiver.

Secure each set of wire connections with the plastic wire nuts provided in the parts bag.

NOTE: The fan running wire and the grounding wire should be placed separately on both sides of the wire box and should not be put together.

Step 3. Receiver to Supply Wires Electrical Connections: (Fig. 8)

- Connect the black (load) wire from the ceiling outlet box to the black wire marked "AC in L" on the receiver.
- Connect the white (neutral) wire from the ceiling outlet box to the white wire marked "AC in N" on the receiver. Secure each set of electrical connections with with the plastic wire nuts provided in the parts bag.

Step 4. Connect the ground wire (green or bare copper) from the outlet box to the ground wire on the ceiling mounting bracket and the ground wire from the ceiling fan.

After making all connections, separate the white and green wire connections to one side and the black wire connections to the other side of the outlet box.

NOTE: Fan must be installed at a maximum distance of 30 feet from the Hand Held Remote Transmitter for optimal signal transmission between the transmitter and the fan's receiving unit.

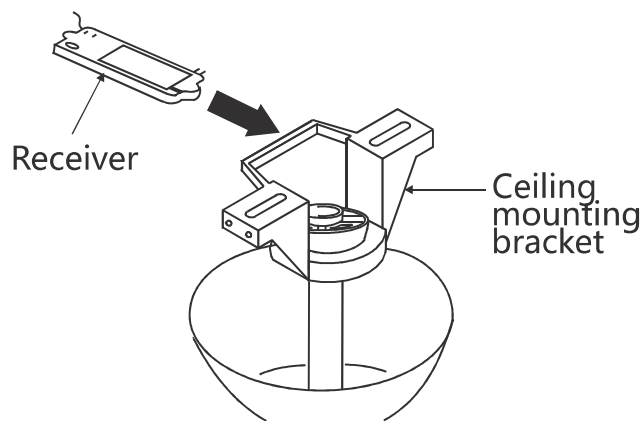


Fig.7

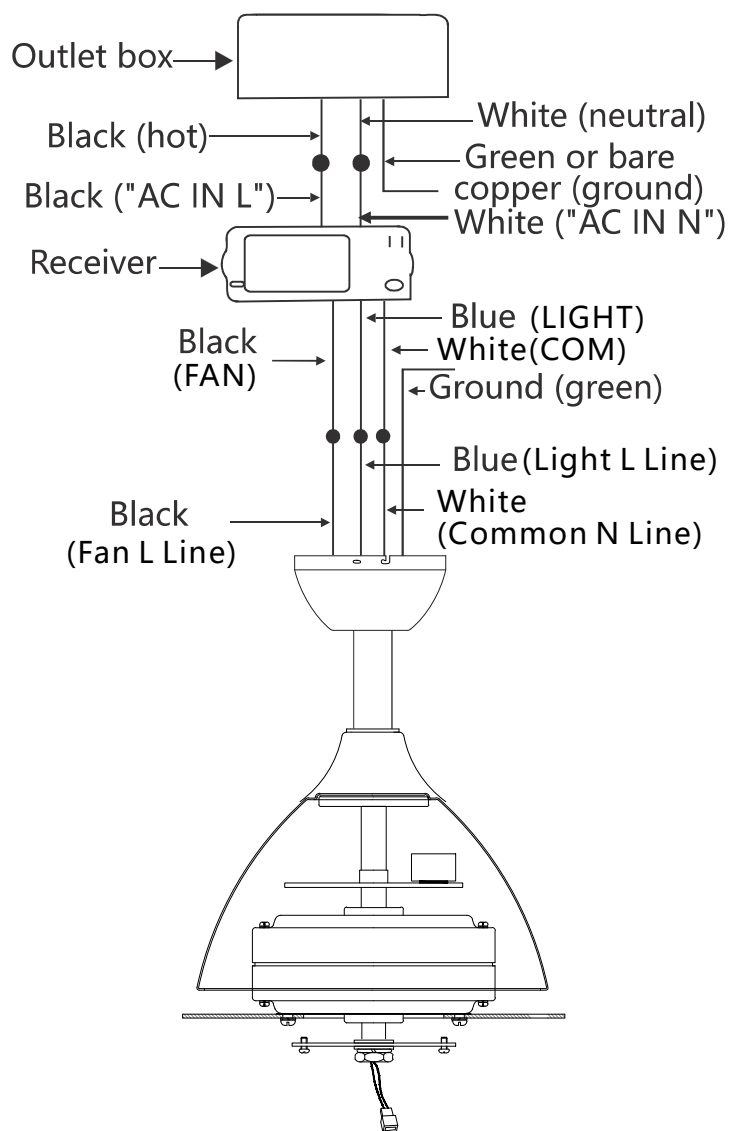


Fig.8

• CEILING-MOUNTING INSTALLATION

① CHOICE OF INSTALLATION LOCATION

If there isn't an existing UL (CUL for Canadian Installation) listed mounting box, then read the following instructions:

Disconnect the power by removing fuses or turning off circuit breakers.

Secure the outlet box directly to the building structure. Use appropriate fasteners and building materials. The outlet box and its support must be able to fully support the moving weight of the fan (at least 50 lbs). Do not use plastic outlet boxes.

Figures 1 and 2 are examples of different ways to mount the outlet box.

NOTE: Depending on the location you have selected for installation, you may need to purchase and install a "Joist Hanger" for the support of the outlet box. Make sure the joist hanger you purchase has been designed for use with ceiling fans. (Fig.11)

NOTE: ceiling-mounted installation should not be installed on a ceiling with inclined surfaces!

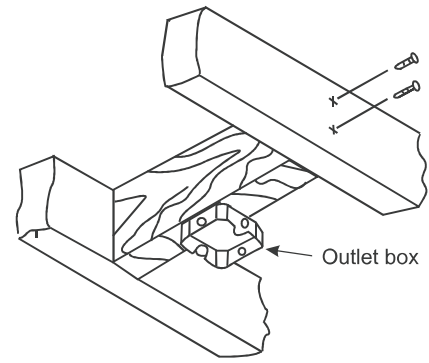


Fig.9

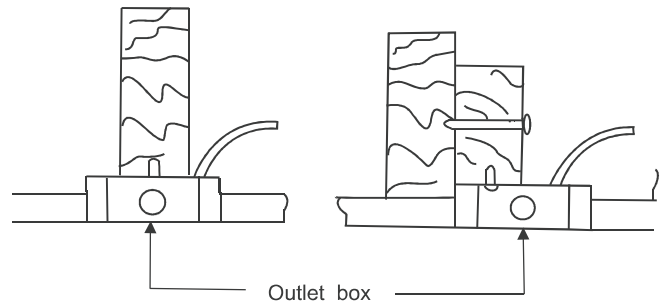


Fig.10

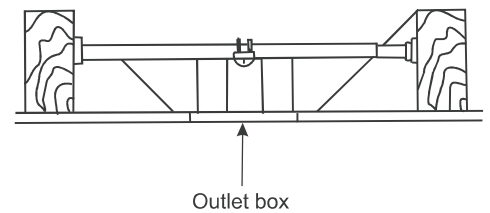
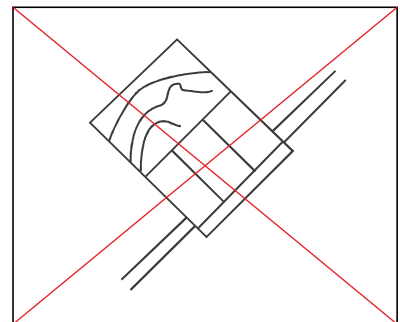


Fig.11



② BRACKET INSTALLATION

REMEMBER to turn off the power. Follow the steps below to hang your fan properly.

NOTE:

This ceiling fan is supplied with two types of hanging assemblies; the standard ceiling installation using the downrod with ball and socket mounting and the "close-to-ceiling" installation. The "close-to-ceiling" installation is recommended in rooms with less than 8-foot ceilings or in areas where additional space is desired from the floor to the fan blades.

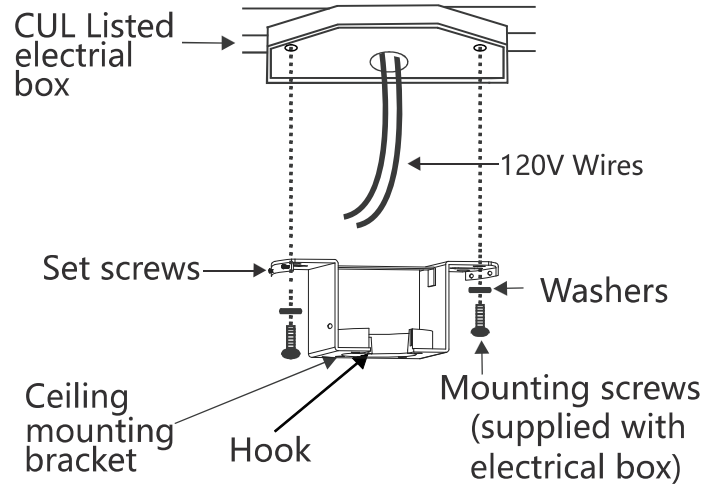


Fig.12

③ SCHEMATIC DIAGRAM OF THE WHOLE MACHINE INSTALLATION

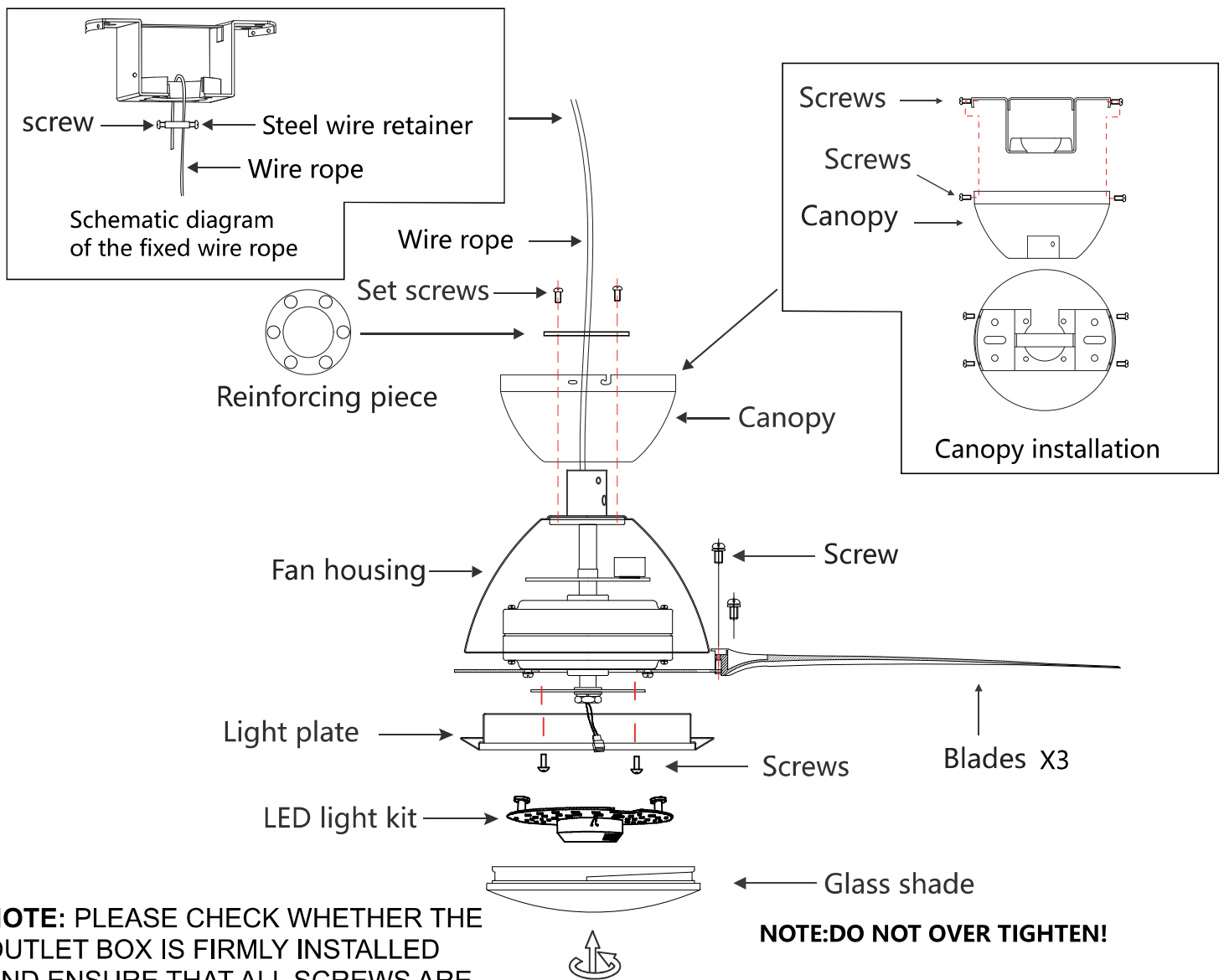


Fig.13

NOTE: PLEASE CHECK WHETHER THE OUTLET BOX IS FIRMLY INSTALLED AND ENSURE THAT ALL SCREWS ARE FIXED TIGHTLY TO AVOID UNNECESSARY SECURITY RISKS.

④ ELECTRIC CONNECTIONS

⚠ WARNING: To avoid possible electrical shock, be sure you have turned off the power at the main circuit panel. Follow the steps below to connect the fan to your household wiring. Use the wire connecting nuts supplied with your fan. Secure the connectors with electrical tape. Make sure there are no loose wire strands or connections.

Step 1. Insert the receiver into the ceiling mounting bracket with the flat side of the receiver facing the ceiling (Fig.14). For best performance, make sure the black antenna, on the end of the receiver, remains extended and not tangled with any of the electrical wires.

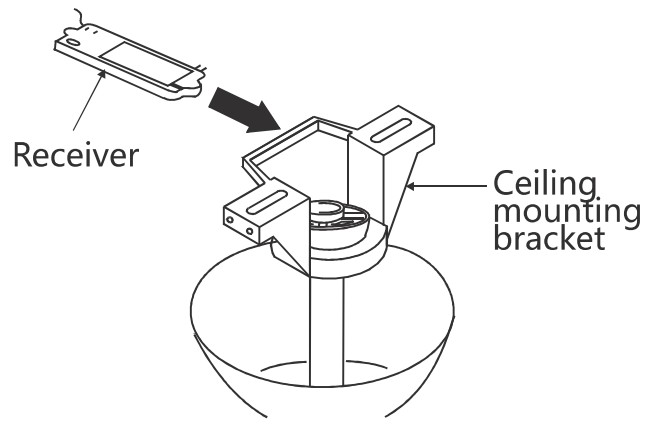


Fig.14

Step 2. Motor to Receiver Electrical Connections (Fig. 8)

- Connect the black wire from the fan to the black wire marked "FAN" on the receiver.
- Connect the white wire from the fan to the white wire marked "COM" on the receiver.
- Connect the blue wire from the fan to the blue wire marked "LIGHT" on the receiver.

Secure each set of wire connections with the plastic wire nuts provided in the parts bag.

NOTE: The fan running wire and the grounding wire should be placed separately on both sides of the wire box and should not be put together.

Step 3. Receiver to Supply Wires Electrical Connections: (Fig. 15)

- Connect the black (load) wire from the ceiling outlet box to the black wire marked "AC in L" on the receiver.
- Connect the white (neutral) wire from the ceiling outlet box to the white wire marked "AC in N" on the receiver. Secure each set of electrical connections with with the plastic wire nuts provided in the parts bag.

Step 4. Connect the ground wire (green or bare copper) from the outlet box to the ground wire on the ceiling mounting bracket and the ground wire from the ceiling fan.

After making all connections, separate the white and green wire connections to one side and the black wire connections to the other side of the outlet box.

NOTE: Fan must be installed at a maximum distance of 30 feet from the Hand Held Remote Transmitter for optimal signal transmission between the transmitter and the fan's receiving unit.

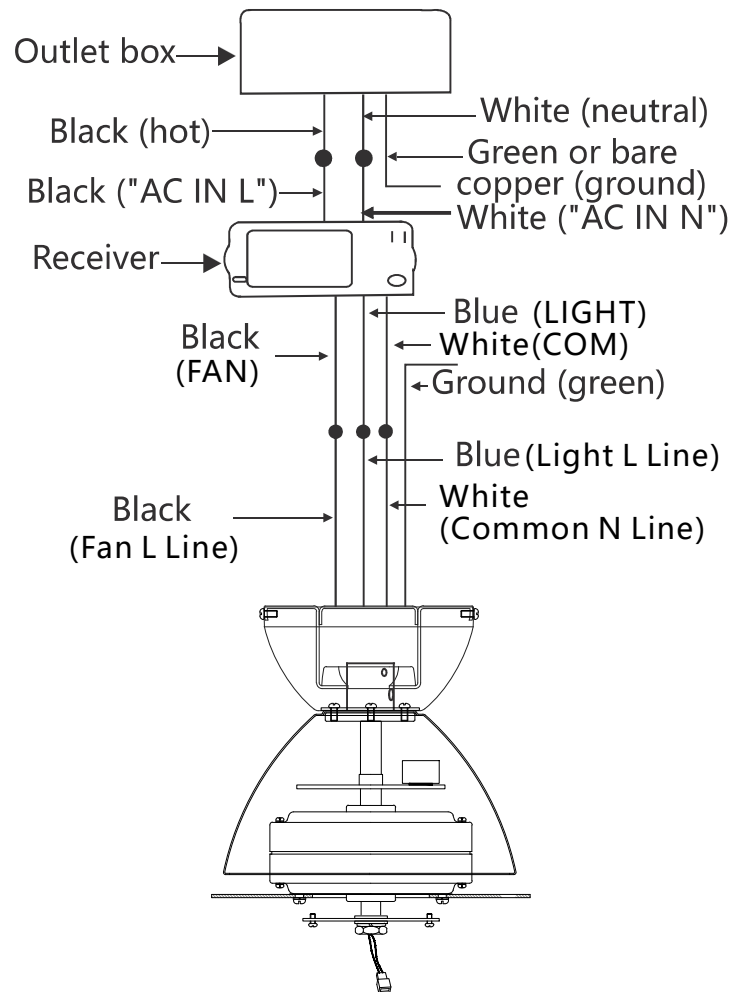


Fig.15

⑥ TROUBLESHOOTING

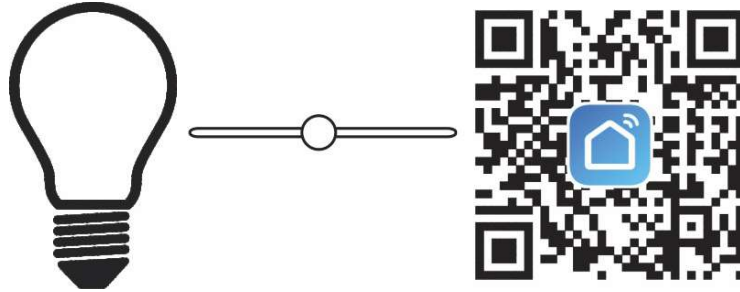
Fan will not start: 1. Check circuit fuses or breakers
2. Check all electrical connections to ensure proper contact.
CAUTION: Make sure the main power is OFF when checking any electrical connection.

Noisy Operation: 1. Make sure all motor housing screws are snug.
2. Make sure the screws that attach the fan blade brackets to the motor are tight.
3. Make sure wire nut connections are not rubbing against each other or the interior wall of the switch housing.
CAUTION: Make sure main power is OFF.
4. Allow a 24-hour "breaking-in" period. Most noise associated with a new fan disappear during this time.
5. If using an optional light kit, make sure the screws securing the glassware are tight. Check that the light bulb is also secure.
6. Some fan motors are sensitive to signals from solid-state variable speed controls. If you have installed this type of control, choose and install another type of control.
7. Make sure the upper canopy is a short distance from the ceiling. It should not be touch the ceiling.

Excessive Wobbling: 1. Check that all blade and blade arm screws are secure.
2. Most fan wobbling problems are caused when blade levels are unequal. Check this level by selecting a point on the ceiling above the tip of one of the blades. Measure this distance. Rotate the fan until the next blade is positioned for measurement. Repeat for each blade. The distance deviation should be equal within 1/8".
3. Use the enclosed Blade Balancing Kit if the blade wobble is still noticeable.
4. If the blade wobble is still noticeable, interchanging two adjacent (side by side) blades can redistribute the weight and possibly result in smoother operation.
WARNING: TO REDUCE THE RISK OF PERSONAL INJURY, DO NOT BEND THE BLADE ARM WHILE INSTALLING, BALANCING THE BLADES, OR CLEANING THE FAN. DO NOT INSERT FOREIGN OBJECTS BETWEEN ROTATING FAN BLADES.

Smart Device Procedures:

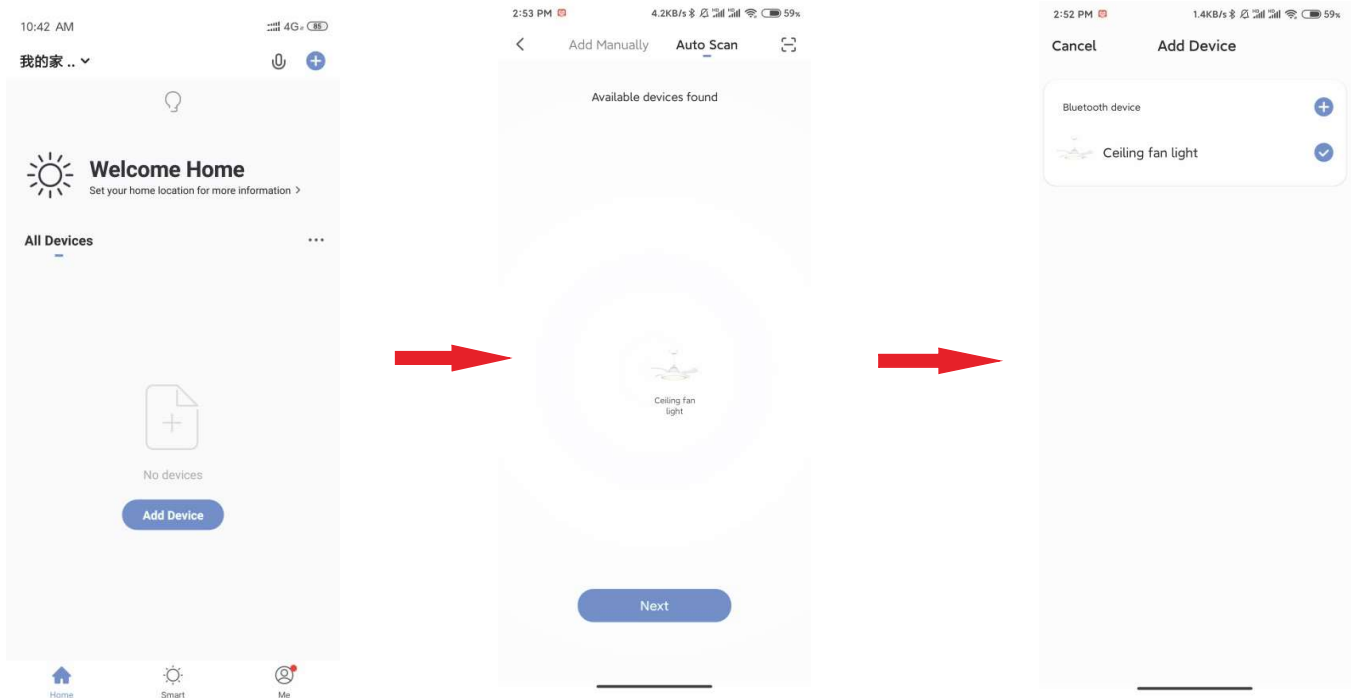
- Connect with Mobile phone APP(Add Manually)
Scan the QR code to download the "Smart Life" APP



Before connecting, please make sure your smart phone or device is connected with your home Wi-Fi 2.4GHz successfully.

- Open the "Smart Life" Mobile App.
- Under "Add Manually" select Home Appliances.
- Select Fan.
- Click "Confirm indicator rapidly blink" and type in your Wi-Fi name & password then proceed to click "OK"
- Once connected, the App will prompt the connection, then click "Done".
- After the loading screen go back to homepage and you should be able to find your device there.

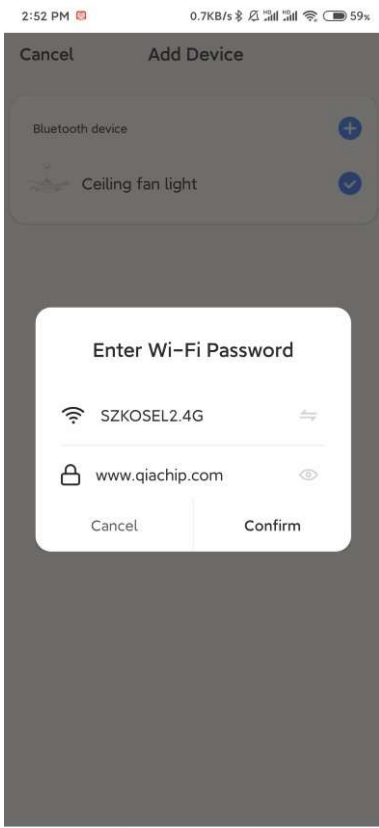
Detailed operation



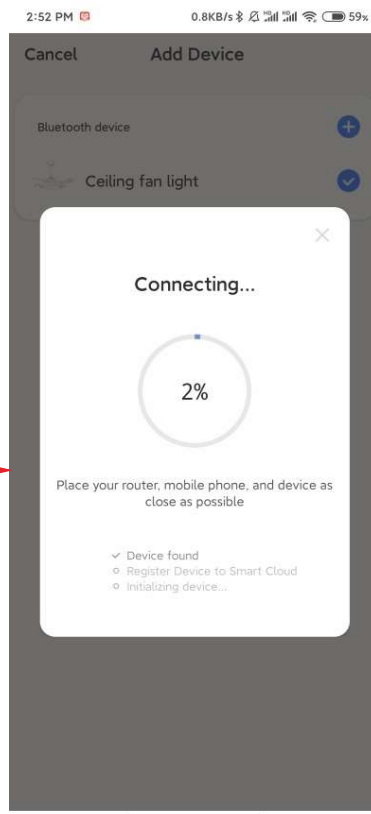
① VIEW THE HOME PAGE

② SELECT AUTO SCAN

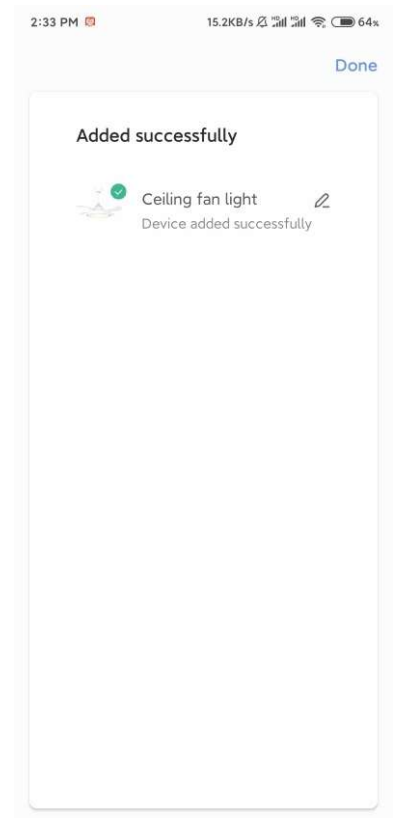
③ FIND THE CEILING FAN



④ ENTER THE WIFI CREDENTIALS

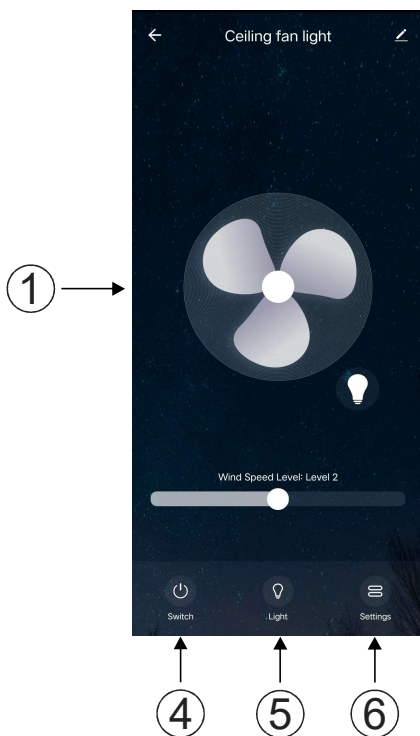


⑤ WAIT FOR CONNECTION

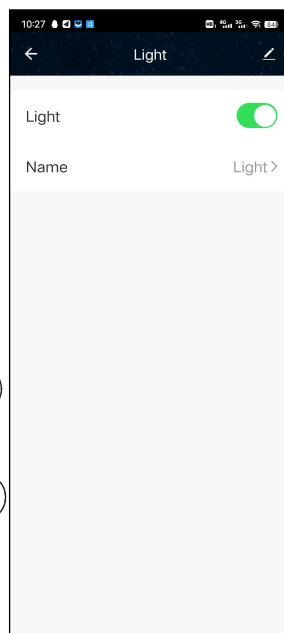


⑥ WIFI CONNECTION SUCCESSFUL

Fan control panel function display



- 1. The fan switch
- 2. The light switch
- 3. Wind speed setting
- 4. The power switch



⑦

- 5. Light setup
- 6. Fan countdown
- 7. Custom lamp name
- 8. Countdown options



⑧

● Q&A

Q: If you cannot pair the Smart life APP.

A:

1. Please check whether the Wi-Fi network is 2.4g
2. Please turn the power on and off for three consecutive times, Connect again after three beeps
3. Pairing Smartlife Mobile APP again.

Q: If your application can't control the receiver

A:

1. Please turn the power on and off for three consecutive times, Connect again after three beeps
2. Pairing Smartlife Mobile APP again.

Q: How to turn off the sound of WIFI fan light in app

A:

1. Open the page of the fan light controller app and turn on the fan light.
2. Select "Settings"
3. Turn off the "Voice" settings
4. Restart the fan light, the setting is successful.

Q: I want to remove the match between app and fan light

A: *After the data is cleared, the fan cannot be controlled by the application

1. Please check whether the Wi-Fi network is 2.4g
2. After powering on and off three times in a row, the receiver will return to its default state and unpair from the application

How to connect to Google Assistant ?

1. Complete product networking configuration in the Smart Life App

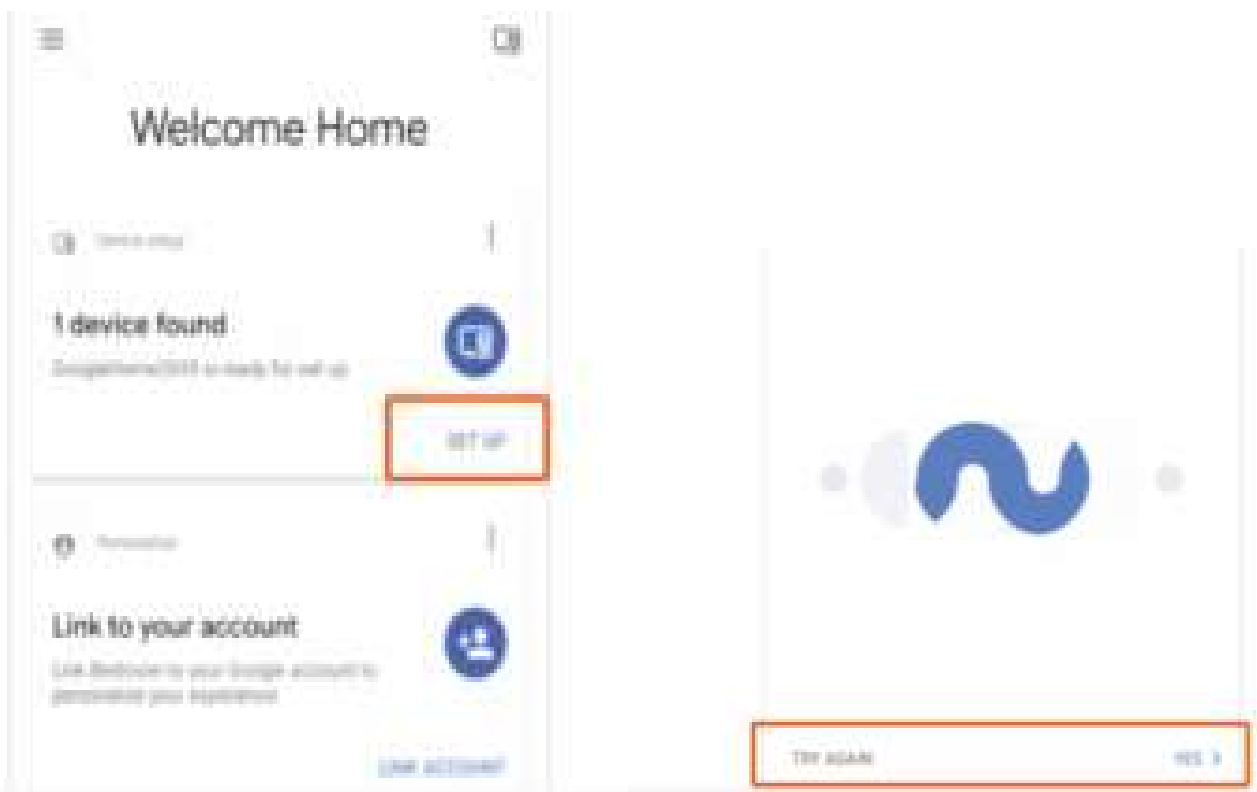
Complete the device's networking configuration according to the prompts in the App

Note: In the App, change the name of the device to an easily identify

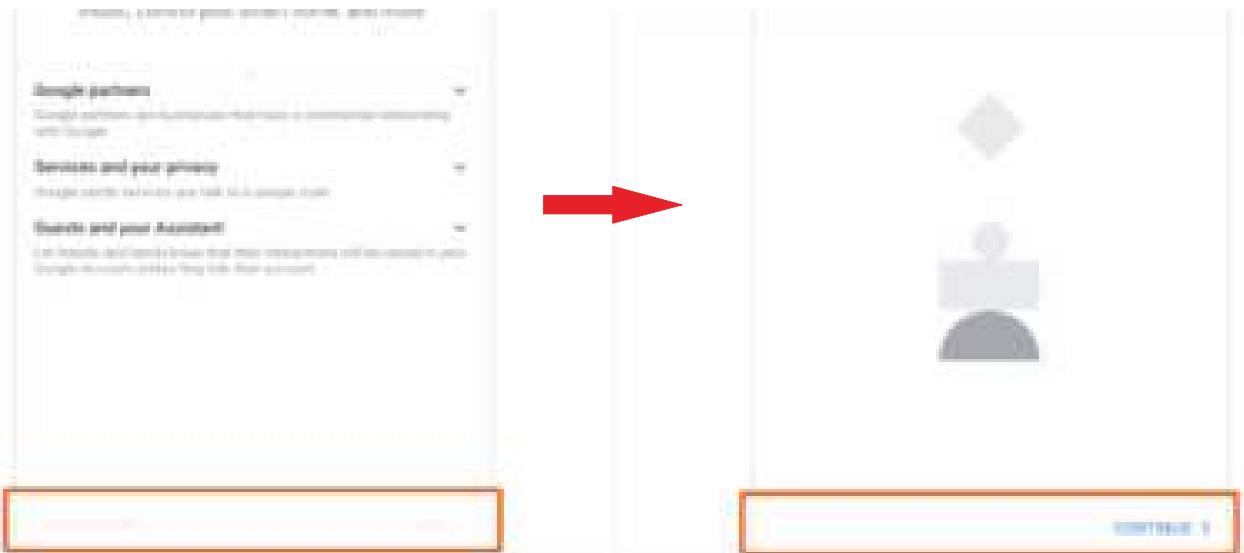
2. Configure Google Home device

(If you have already configured Google Home, you can skip this step. The following instructions are based for iOS client)

- Make sure your Google Home device is powered on and connected to a Wi-Fi network.
- Open the Google Home app on your phone. After successful login, tap on the menu in the upper left corner and select "SET UP"
- It will notify you with a sound to ensure that you are connected to the correct device. After you hear the sound, tap "YES" to proceed to the next step.



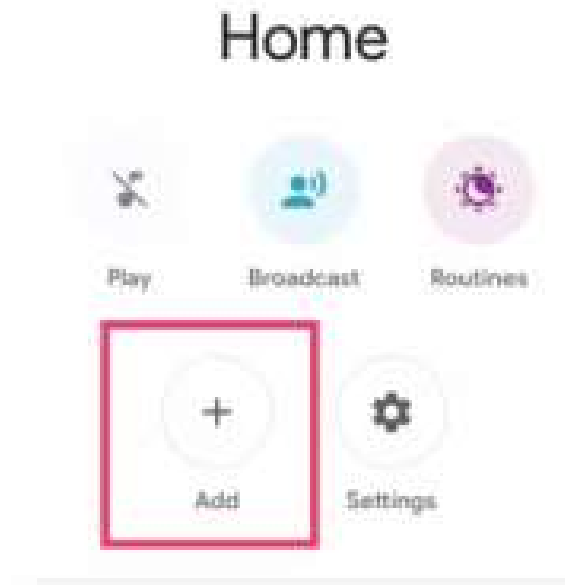
- You can choose to differentiate the room where Google Home is located from other Google devices. Then, select the Wi-Fi network and language, wait for the system to complete the configuration, and tap "next."
- According to the page prompts, choose whether to agree to the corresponding operation. When the page displays "Google Home is ready," select "continue"



- Next is the voice control guide tutorial. Once you're done listening, tap "FINISH SET UP." At this point, Google Home setup is complete.

3. Key step - link Action

- On the main page of the Google Home app, tap the sidebar menu in the top left corner and select "Home Control."



- Then tap the plus sign in the lower right corner and search for "Smart Life."
- Find Smart Life on the list and open it, select the country where your Smart Life app account is located, enter your Smart Life app account and password, and tap [Link Now]



- Enter the Smart Life app account and password, then tap [Link Now] to link your Smart Life account. Choose the room where your device is located, and then the skill will appear on the Home Control Devices list. Now you can begin your smart home journey.



4. Control your smart device with Google Home

Now you can control your smart device with Google Home. With the Ceiling fan light as an example, the supported commands include (Google Home currently only supports English commands):

ok google, set fanspeed to 1 on DEVICE NAME
ok google, set fanspeed to 2 on DEVICE NAME
ok google, set fanspeed to 3 on DEVICE NAME
ok google, power on DEVICE NAME
ok google, power off DEVICE NAME

How do I connect to Amazon Alexa?

The following is an example using AmazonAlexa.

1. Complete product networking configuration in the Smart Life App

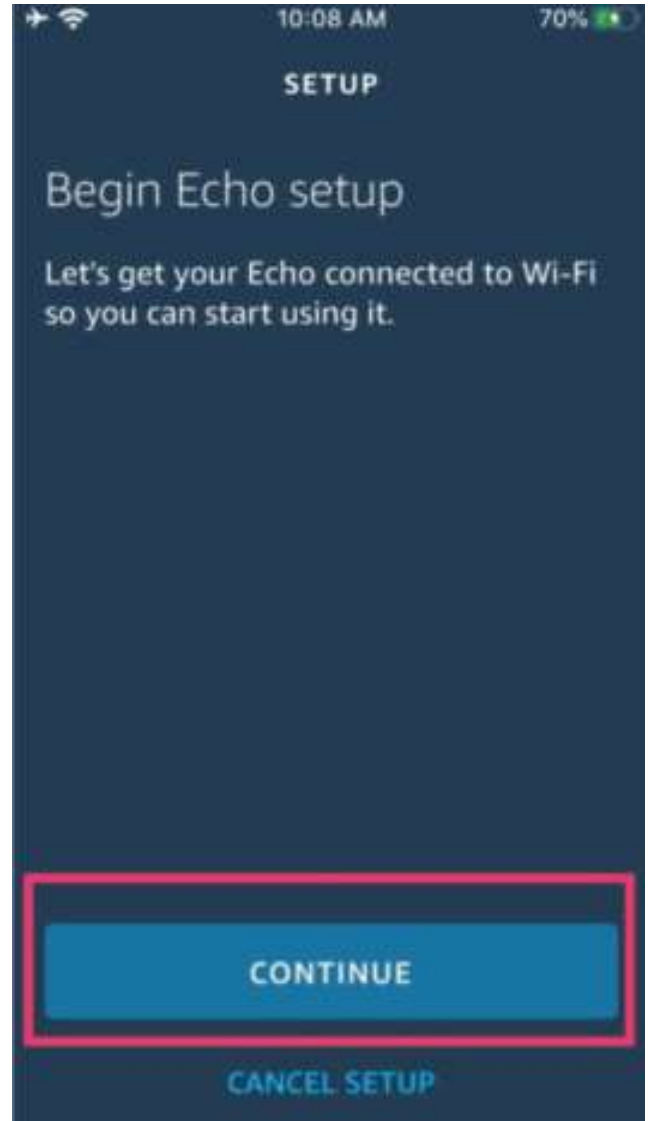
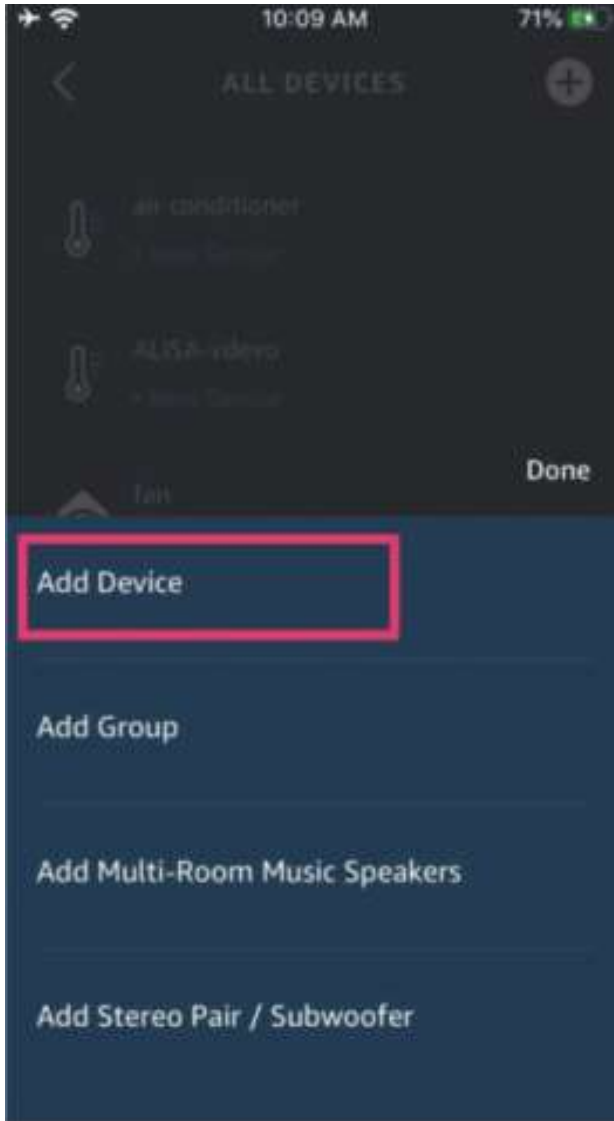
Complete the device's networking configuration according to the prompts in the App

Note: In the App, change the name of the device to an easily identifiable name such as Alexa; such as "bed light"

2. Configure the Amazon Alexa device

(If you have already configured Amazon Alexa, you can skip this step. The following instructions are based for iOS)

- Make sure your Amazon Alexa device is powered on and connected to a Wi-Fi network.
- Open the Alexa app on your phone. After successful login, tap on the menu in the upper left corner of the Home page, select "Settings" and tap "Set Up A New Device" to set up the Amazon Alexa.

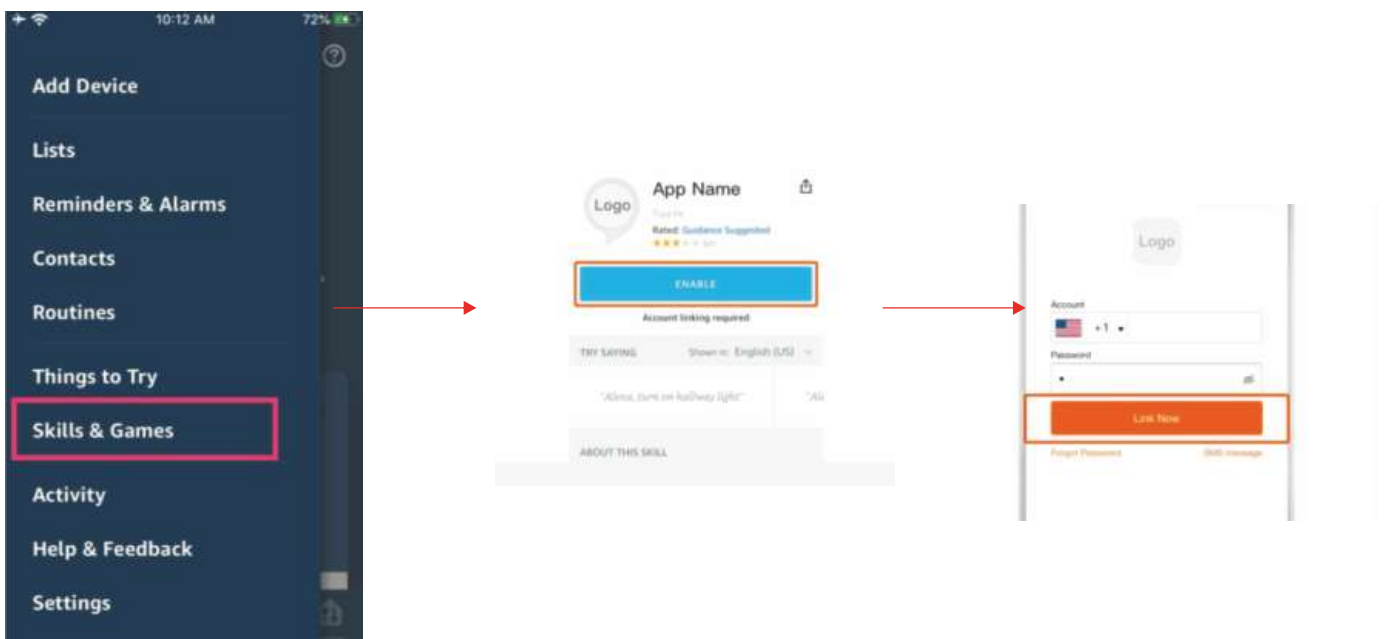


- Choose your Amazon Alexa device type and language for connecting. Press and hold the small dot on the device until the light turns yellow. Then tap "Continue" to connect to the hotspot.
After connecting to the Amazon Alexa hotspot, return to the page. At this point, the connection is successful. Tap "Continue" to proceed to the next step. Choose a Wi-Fi network to connect to. Amazon Alexa will take a few minutes to try to connect to the network.
- After the network connection is successful, Tap [Continue] An introduction video will appear. After the video ends, Tap [Continue] to jump to the Alexa Home page. You have now completed the Amazon Alexa's configuration process.



3. Key step - link Skills

- Tap on "Skills" in the Alexa app menu.
- Then search for "Smart Life". Tap "Enable" to enable the Skill.
- Enter the Smart Life APP account and password, then tap [Link Now] to link your Smart Life account to enable the Skill. Now you can start your smart home journey.



4. Common commands

Control the device via voice commands Now you can control your smart device with Alexa. You can control your device (such as your Ceiling fan light) with the following commands:

- Alexa, turn on XXXX**
- Alexa, turn off XXXX**
- Alexa, set the fan speed to 1**
- Alexa, set the fan speed to 2**
- Alexa, set the fan speed to 3**