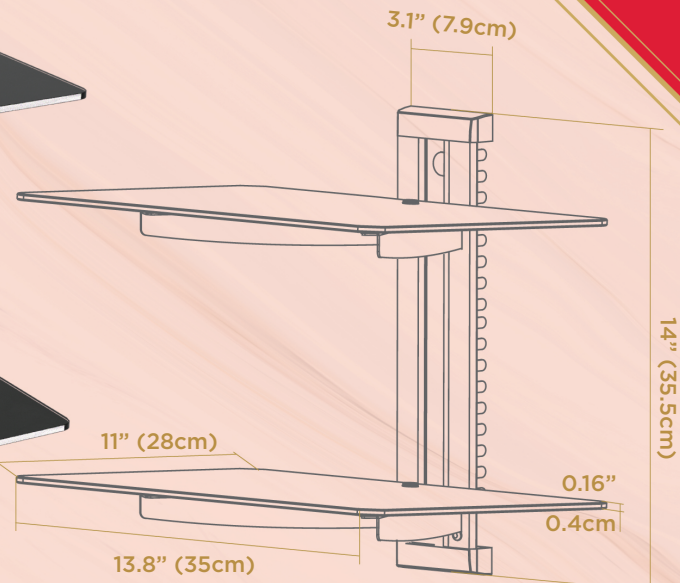


FSH-2

DOUBLE MOUNTED SHELF



11x13.8"
Each Shelf



17.6lbs/8kg
Each Shelf

Specifications

Retail Package Size: 14.8" x 11.5" x 2.2"

Retail Package Weight: 6.45 lbs

Master Carton Size: 15.4" x 10.1" x 12.4"

Master Carton Weight: 39.6lbs

Master Carton Quantity: 25.8 lbs

UPC: 852314002092

DOUBLE MOUNTED SHELF

Secure & easy to install, with adjustable height.

- Durable tempered glass shelf fits most AV Components
- Each supports up to 17.6lbs / 8kg
- Low profile design sits just 11" (28cm) from the wall.
- All hardware is included, making installation an easy, hassle free process.
- Integrated cable management