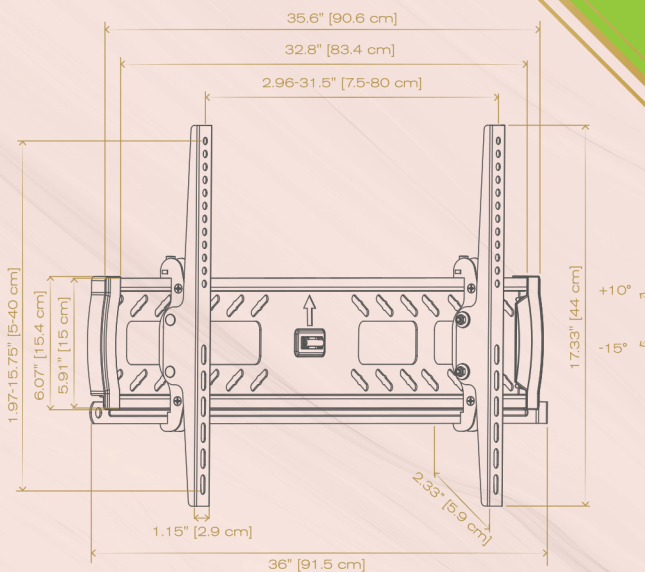
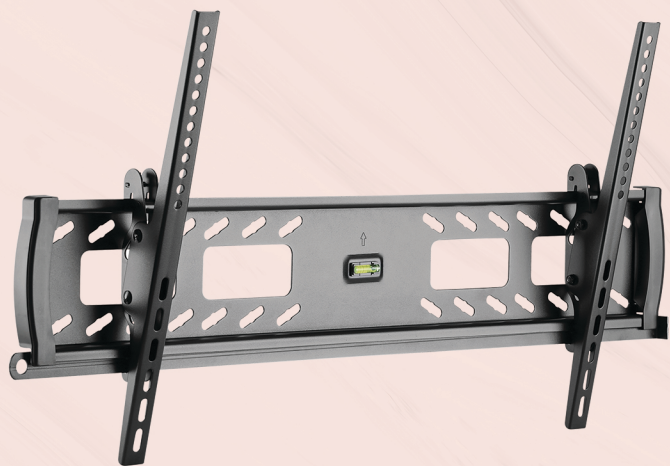


EXTRA LARGE TILT MOUNT



50-85"
TV Size



Up to:
180lbs/82kg



200x200 to
800x400



2.3"
Depth

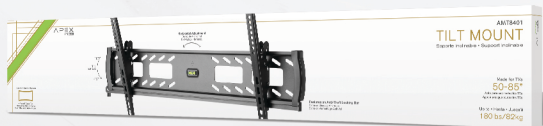


-15° to +10°
Tilt Range

Extra Large Tilt Mount

A secure & easy to install, low profile design

- Fits Most 50-85" TVs Weighing up to 180lbs (82kg)
- Compatible with VESA Patterns Between 200x200 and 800x400.
- Ultra-slim Low Profile Design
- Places the TV Just 2.3" (5.9cm) from the Wall
- Inclinal with a Tilt Range Between -15° to +10°
- Open Back Plate Makes for Easy Cable Management
- Solid All-metal Construction Tested with Four Times the Recommended Weight Limits
- Post Installation Leveling for Additional Adjustment
- A Locking Mechanism Ensure your TVs Safety
- Additional Padlock Compatible Anti-theft Bar Included
- Ready to Install with all Hardware Included



Specifications

Retail Package Size: 36.8" x 6.5" x 2"

Retail Package Weight: 8.8 lbs

Master Carton Size: 37.3" x 7" x 8.5"

Master Carton Weight: 35.2 lbs

Master Carton Quantity: 4

UPC: 858181007697

MSRP: \$99.99