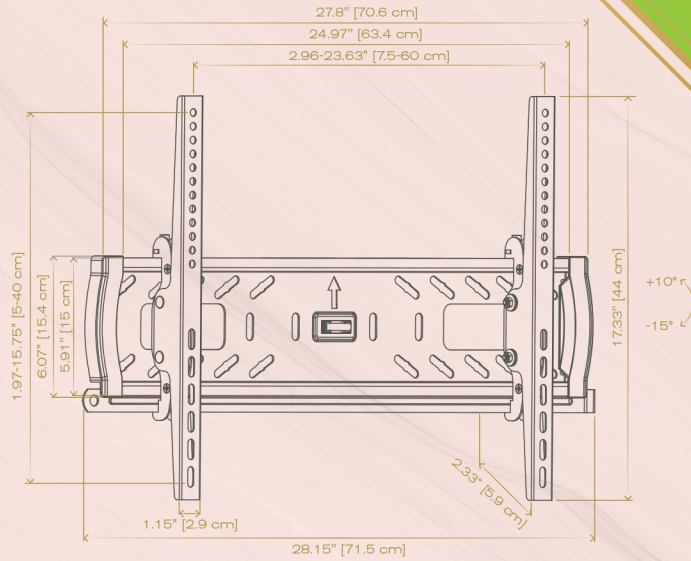


LARGE TILT MOUNT



40-75"
TV Size



Up to:
150lbs/68kg



200x200 to
600x400



2.3"
Depth



-15° to +10°
Tilt Range



Specifications

Retail Package Size: 28.9" x 6.5" x 2"

Retail Package Weight: 8.2 lbs

Master Carton Size: 29.4" x 7" x 8.5"

Master Carton Weight: 33.2 lbs

Master Carton Quantity: 4

UPC: 858181007680

MSRP: \$89.99

Large Tilt Mount

A secure & easy to install, low profile design

- Fits Most 40-75" TVs Weighing up to 150lbs (68kg)
- Compatible with VESA Patterns Between 200x200 and 600x400.
- Ultra-slim Low Profile Design
- Places the TV Just 2.3" (5.9cm) from the Wall
- Inclinal with a Tilt Range Between -15° to +10°
- Open Back Plate Makes for Easy Cable Management
- Solid All-metal Construction Tested with Four Times the Recommended Weight Limits
- Post Installation Leveling for Additional Adjustment
- A Locking Mechanism Ensure your TVs Safety
- Additional Padlock Compatible Anti-theft Bar Included
- Ready to Install with all Hardware Included