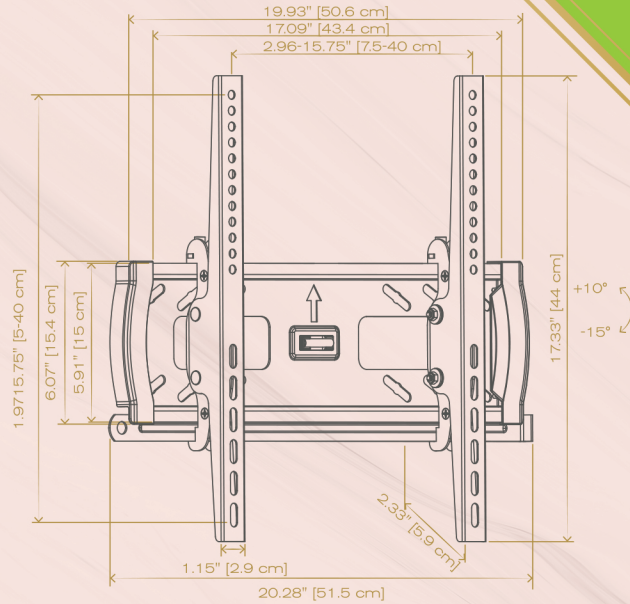


AMT4401

# MEDIUM TILT MOUNT



32-60"  
TV Size



Up to:  
120lbs/55kg



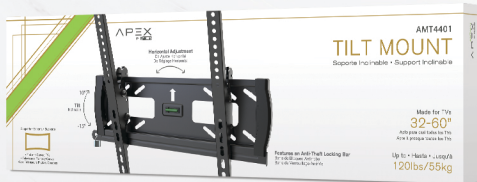
200x200 to  
400x400



2.3"  
Depth



-15° to +10°  
Tilt Range



## Specifications

**Retail Package Size:** 20.6" x 6.5" x 2"

**Retail Package Weight:** 6.6 lbs

**Master Carton Size:** 21.2" x 7.2" x 12.5"

**Master Carton Weight:** 40.2 lbs

**Master Carton Quantity:** 6

**UPC:** 858181007673

**MSRP:** \$79.99

## Medium Tilt Mount

*A secure & easy to install, low profile design*

- Fits Most 32-60" TVs Weighing up to 120lbs (55kg)
- Compatible with VESA Patterns Between 200x200 and 400x400.
- Ultra-slim Low Profile Design
- Places the TV Just 2.3" (5.9cm) from the Wall
- Inclined with a Tilt Range Between -15° to +10°
- Open Back Plate Makes for Easy Cable Management
- Solid All-metal Construction Tested with Four Times the Recommended Weight Limits
- Post Installation Leveling for Additional Adjustment
- A Locking Mechanism Ensure your TVs Safety
- Additional Padlock Compatible Anti-theft Bar Included
- Ready to Install with all Hardware Included