



AFCS6402-02

MOST
32"-70"
MAX.VESA 600x400

rated
50kg/110lbs

VESA
Compatible
200x200 • 300x300 • 400x200
400x400 • 600x400

+15° ~ -15°

⚠ WARNING!

If you do not understand these directions, or if you have any doubts about the safety of the installation, please call a qualified technician. Check carefully to make sure there are no missing or defective parts. Improper installation may cause damage or serious injury. Do not use this product for any purpose that is not explicitly specified in this manual. Do not exceed weight capacity. We cannot be liable for damage or injury caused by improper mounting, incorrect assembly or inappropriate use.

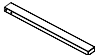
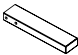
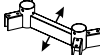
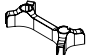

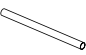






















⚠ TIPOVER WARNING

SERIOUS OR FATAL CRUSHING INJURIES CAN OCCUR FROM TIPOVER. TO HELP PREVENT TIPOVER:

- NEVER ALLOW CHILDREN TO CLIMB, STAND, HANG, OR PLAY ON ANY PART OF TV OR TV CART.
- USE TIPOVER RESTRAINT OR ANCHOR STAND TO WALL.

USE OF TIPOVER RESTRAINTS MAY ONLY REDUCE, BUT NOT ELIMINATE RISK OF TIPOVER.

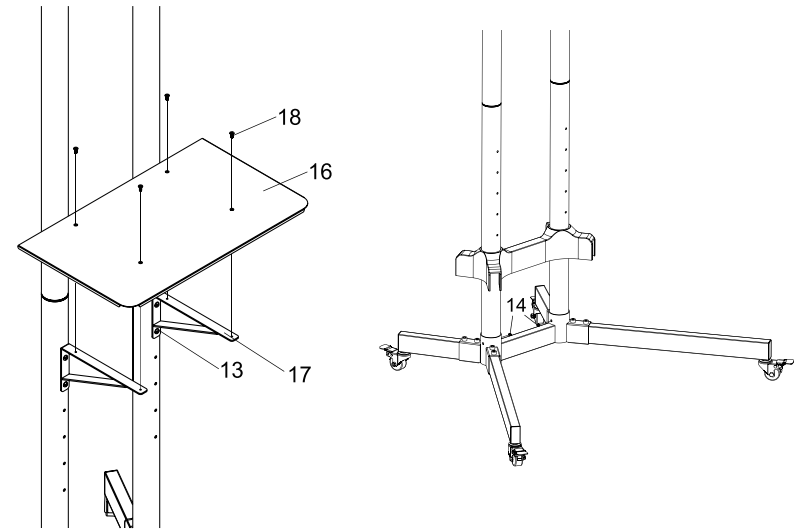
PACKAGE CONTENTS

 1 (x2) Long Square Tube	 2 (x2) Short Square Tube	 3 (x1) Tube Connector	 4 (x1) Tube Connector Cover	 5 (x2) Pole with Holes	 6 (x2) Pole without Holes
 7 (x2) Pole Connector	 8 (x4) Pole Cover	 9 (x4) Wheel	 10 (x2) Square Plate Connector and Rubber Pad	 11 (x8) M6x60	 12 (x4) M6 Socket Plate
 13 (x14) M6x10	 14 (x2) M5x6 Set Screw	 15 (x1) Tool Kit	 16 (x1) Shelf	 17 (x2) Shelf Support	 18 (x4) M4x6
 19 (x1) Square Plate	 20 (x1) TV Arm Set	 21 (x4) M4x12 M4x30	 22 (x4) M6x20 M6x35	 23 (x4) M8x20 M8x35 M8x45	
 24 (x4) M4 Washer	 25 (x12) M6 Washer	 26 (x4) M8 Washer	 27 (x4) M4 Spacer M6/8 Spacer (20mm)	 28 (x8) M6/8 Spacer (5mm)	

NOTE: SOME HARDWARE INCLUDED MAY NOT BE USED

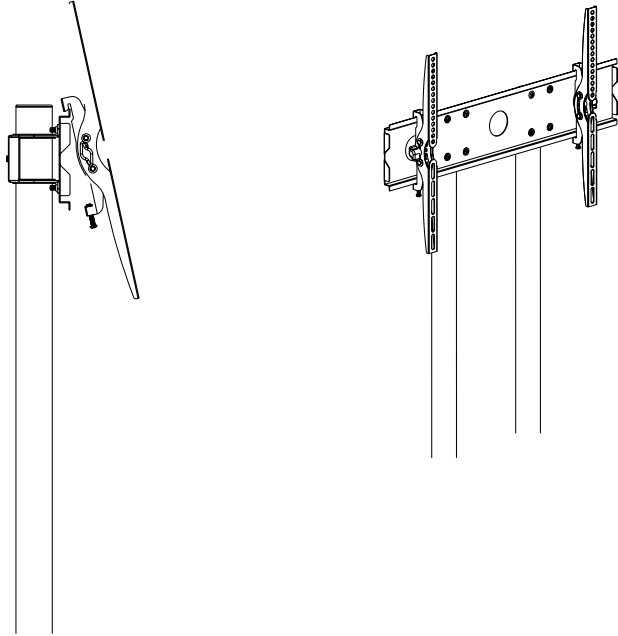
STEP 9

To attach the shelf (**16**), first attach the shelf supports (**17**) to the bottom poles (**5**) using 4 M6x10 Allen head bolts (**13**). Once secured, attach the shelf (**16**) to the supports (**17**) using 4 M4x6 countersink bolts (**18**). Lift the tube connector cover (**4**) and attach M5x6 set screw (**14**) to the inside holes of the tube connector.



STEP 7

Attach the TV arm set (20) to the square plate (19). Tighten the safety bolts on the bottom of the TV arm set (20) to secure the television to the stand.



TOOLS NEEDED



DO NOT EXCEED WEIGHT CAPACITY.
Failure to do so may result in serious injury.



CART

SHELF

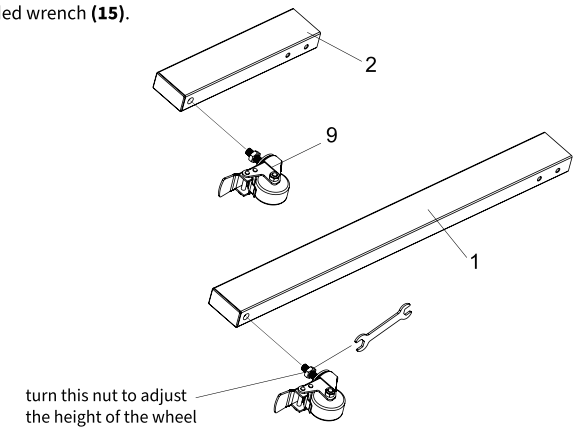
⚠ WARNING: CHOKING HAZARD

SMALL PARTS - NOT FOR CHILDREN UNDER 3 YEARS. ADULT SUPERVISION IS REQUIRED.

ASSEMBLY STEPS

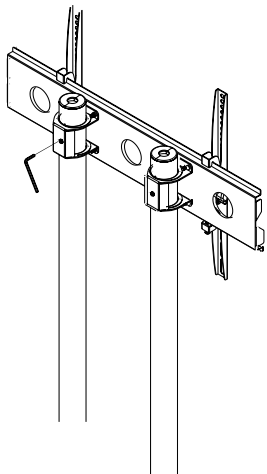
STEP 1

Attach wheels (9) to the long and short square tubing (1,2) using the provided wrench (15).

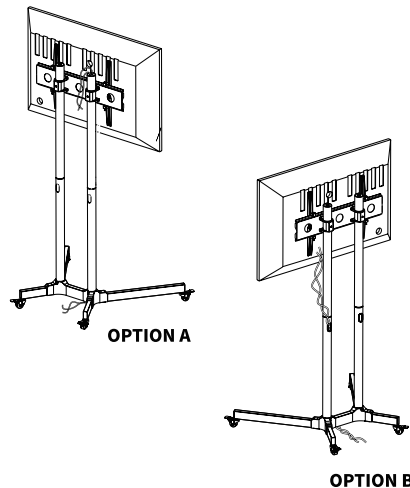


STEP 8

8a: If additional leveling and height adjustment is required after television is attached, repeat step 6.

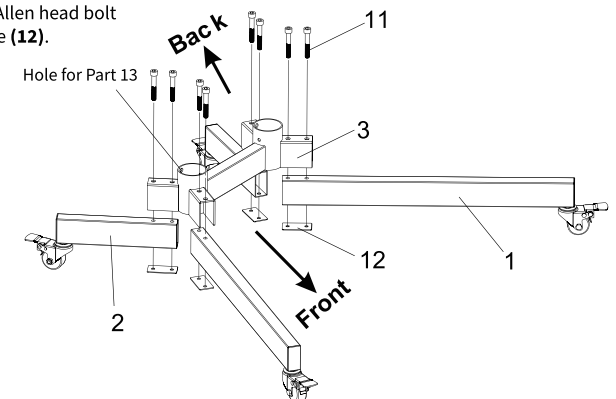


8b: For wire management, cables can be run through the tops of the pole covers (8) and down through the poles.



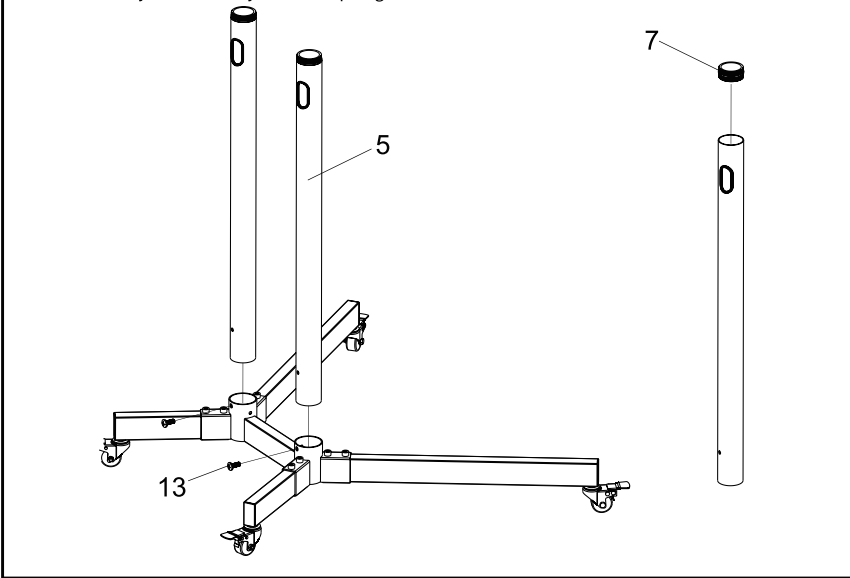
STEP 2

Attach the square tubing (1,2) to the tube connector (3) using M6x60 Allen head bolt (11) and the M6 socket plate (12).



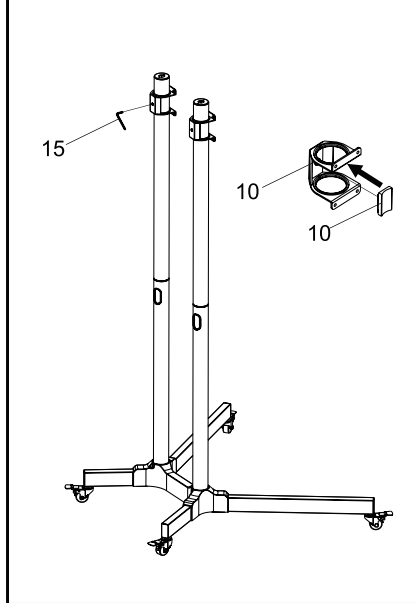
STEP 3

Attach the base poles (5) to the tube connector (3) using M6x10 bolts (13) in the back. Thread on the pole connectors (7) to the tops of each base pole (5). Use caution when threading pole connectors. Threads are very fine and may have sharp edges.

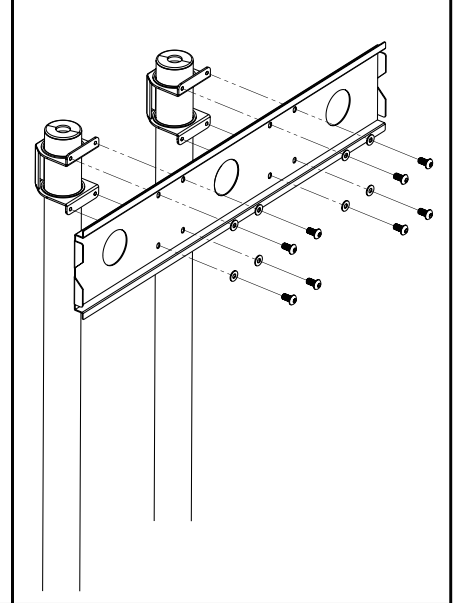


STEP 5

5a: Slide the square plate connectors and rubber pads (10) over the top of the poles (6) and tighten the grub screw using tool kit (15).

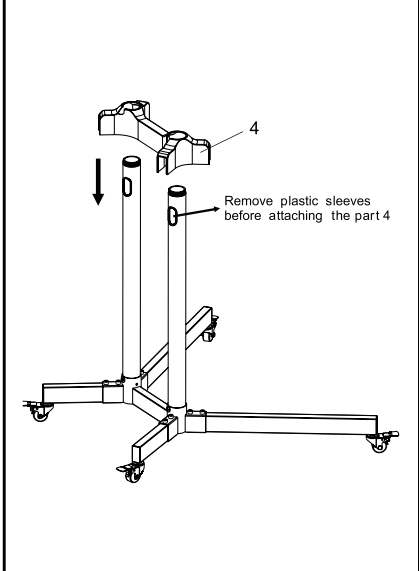


5b: Attach the square plate (19) to the square plate connectors (10) with 8 6x10 Allen head bolts (13) and 8 M6 washers (25) using tool kit (15).

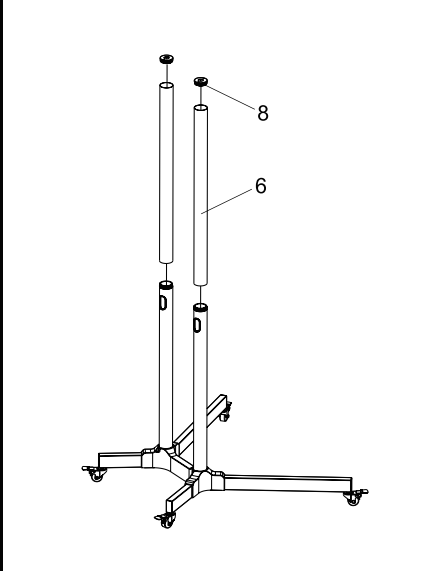


STEP 4

4a: Slide the tube connector cover (4) over the base poles (5) and fit over the tube connector (3).

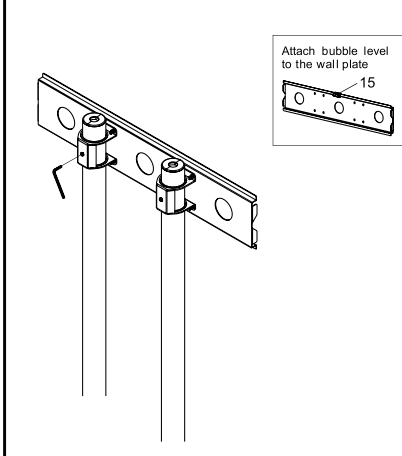


4b: Thread the top poles (6) to the pole connectors (7) and insert the pole covers (8) into the top.



STEP 6

6a: Clip bubble level from tool kit (15) onto the square plate (19). Adjust the level of the square plate (19) by loosening the grub screw in the back of the square plate connector (10) using tool kit (15). Tighten grub screws again once you've reached desired height and level.



6b: Secure TV arm set (20) to the back of your television using bolts (21-23) and washers (24-26), depending on the size of the mounting holes on the television. For curved or recessed TVs, a spacer may be required (27,28).

