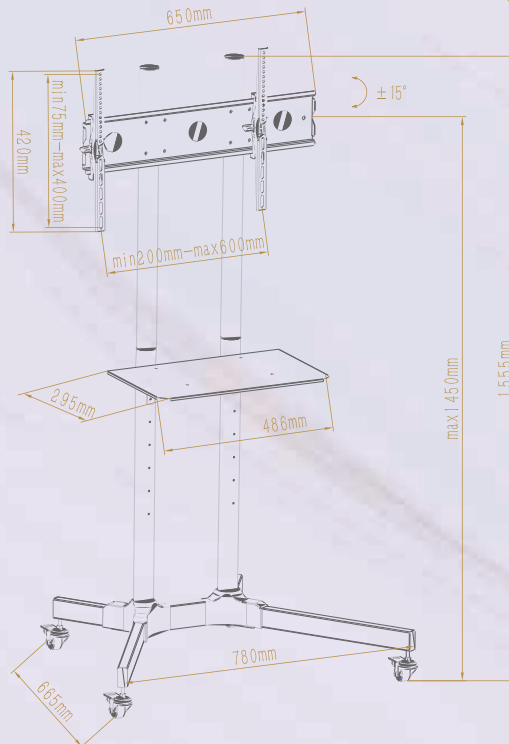


MOBILE TV STAND



32-70"
TV Size



Up to:
110lbs/50kg



200x200 to
600x400



Specifications

Retail Package Size: 30.3" x 13" x 4.9"

Retail Package Weight: 35.7lbs

Master Carton Size: 30.3" x 13" x 4.9"

Master Carton Weight: 35.7lbs

Master Carton Quantity: 1

UPC: 810054152262

MOBILE TV STAND

A secure & easy to install, and move around

- Fits Most 32-70" TVs Weighing up to 110lbs (50kg)
- Compatible with VESA Patterns Between 200x200 and 600x400.
- Adjustable Mount Height up to 57.1" (1450mm)
- Post-Installation Tilt Range $\pm 15^\circ$
- Built-in Cable Management System and Shelf
- Solid All-metal Construction Tested with Four Times the Recommended Weight Limits
- A Locking Mechanism Ensure your TVs Safety when Moving Around the Room
- Ready to Install with all Hardware Included
- Additional TV Safety Kit Included