



CUDDY™ &
CUDDY Lite™

USER MANUAL



 CompoCloset™

WELCOME TO THE COMPO CREW!.....	3
SAFETY, GUIDELINES, AND WARNINGS	3
WHAT’S IN THE BOX?	8
CUDDY AND CUDDY LITE DIMENSIONS.....	9
CUDDY AND CUDDY LITE PIECES AND PARTS	10
SETTING UP YOUR CUDDY OR CUDDY LITE	12
HOW TO USE YOUR CUDDY OR CUDDY LITE	15
OPTIONAL INSTALLATION: SECURING CUDDY OR CUDDY LITE IN PLACE	18
OPTIONAL INSTALLATION: CONVERTING LED LIGHT POWER TO 12V	19
OPTIONAL INSTALLATION: VENTING EXTERNALLY.....	21
OPTIONAL INSTALLATION: DRAIN-AWAY KIT	22
CLEANING YOUR CUDDY OR CUDDY LITE.....	23
REFILLING THE CARBON FILTER	24
REPLACING THE SILICONE BOTTLE VALVE	25
TROUBLESHOOTING	26
LIMITED WARRANTY	29
INDEX.....	31

Welcome to the Compo Crew!

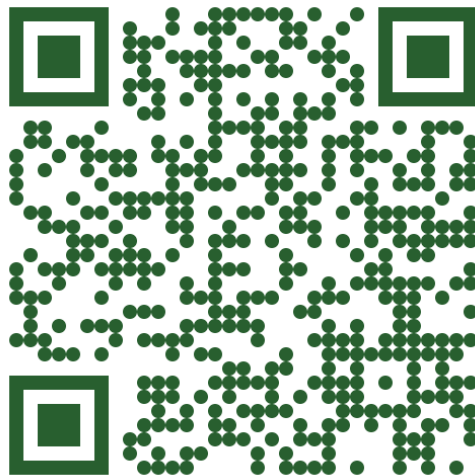
Now that you own a CUDDY and/or a CUDDY Lite, you're part of the Compo Closet family. We hope you're thrilled with your purchase of a CUDDY composting toilet.

CUDDY was originally inspired by van-lifers and van builders looking for a quality, compact composting toilet for their small spaces. Since we sold our first CUDDY, our community has grown to include vintage camper owners, tiny-home owners, sailors, and other environmental enthusiasts.

If you have any questions about or issues with CUDDY, please reach out to the retailer where you made your purchase or to us at info@compocloset.com. Remember, your CUDDY has a **full two-year warranty**, and it's our job to make you happy.

Want to meet and talk with other CUDDY owners? Join our exclusive Compo Crew Facebook group to share experiences, tips, tricks, and news from each other and Compo Closet.

<https://www.facebook.com/groups/compocrew>



Safety, Guidelines, and Warnings

Respect electricity.

The CUDDY and CUDDY Lite require a straightforward 12V connection to power its internal fan. Before installing, please ensure you are comfortable working with CUDDY's power requirements. If you have any hesitation or concerns, please consult a professional installer.

CUDDY is water resistant but not waterproof.

CUDDY handles quite a bit of wetness since moisture is key to starting and completing the composting process. But be aware that even though a CUDDY can likely withstand hanging out in a wet bath with you while you shower, we recommend taking it out of the shower or covering it rather than take the risk that water gets inside and/or contacts the power connector in the bottom rear where the 12v power cord attaches.



California residents Prop65 warning

Some of CUDDY's internal components contain chemicals that cause cancer and reproductive harm. For further details see <https://oehha.ca.gov/proposition-65>.

Do not expose to direct sunlight for prolonged periods.

The key here is "for prolonged periods." Although we have yet to experience it, and we don't know anyone who stores their CUDDY in the sun, we know that over time UV rays can weaken and/or break the materials that a CUDDY is made from.

Fingers away.

Anything that opens and closes can also pinch. Be careful not to get fingers stuck in CUDDY's hinges or under the lid.

No hot stuff.

Do not place cigarettes or hot objects near or into CUDDY. Also, quit smoking.



Safety is everyone's responsibility.

This appliance is not intended for use by people with reduced physical, sensory, or intellectual capabilities, or lack of experience and knowledge, unless they have been given supervision or instruction concerning use of the appliance by a person responsible for their safety. Children should be supervised while using CUDDY to ensure that they do not play with the appliance.

Teach people how to use CUDDY.

CUDDY is quite simple to use, but the fact remains that people who have never tried a composting toilet can be intimidated by it. Take a couple of minutes to show your guest how to open and close the drop zone flaps, how to turn the agitator if you have a CUDDY, and other steps you take when using your CUDDY or CUDDY Lite.

Maintenance safety.

When performing maintenance on your CUDDY, especially if it's been used, be sure to wear eye protection and gloves. Always wash your hands after performing any maintenance or repairs to a used toilet.

Cleaning your CUDDY or CUDDY Lite.

We recommend using a soft cloth or sponge when cleaning your CUDDY composting toilet.

Using an abrasive cleaning agent such as the rough side of a dish sponge could scratch the plastic. Also, don't use chlorine bleach as a cleaning agent since it interferes with the composting process.

Don't force anything.

Do not exert excessive force on the agitator handle. If the handle is difficult to turn, try reversing direction. If the difficulty persists, inspect the mechanism to determine the cause of the resistance. Ensure that there is no debris under the solids bin to cause misalignment of the agitator and drive shaft.

This also goes for the switch that opens and closes the drop-zone flaps. If the switch won't turn or has resistance, don't force it. Open the lid and check to see if there is anything interfering with the gear.

If you have any issues, contact us at info@compocloset.com immediately and we'll get right back to you.

Follow guidelines for waste composting before using in your garden or lawn.

The contents of the solids bin will require 6- 12 months to complete the composting process and fully kill any pathogens. To find out more about composting human waste, we refer people to *The Humanure Handbook* by Joseph Jenkins:
<https://humanurehandbook.com/>.

What's in the box?

Besides the CUDDY or CUDDY Lite in the box, you'll find

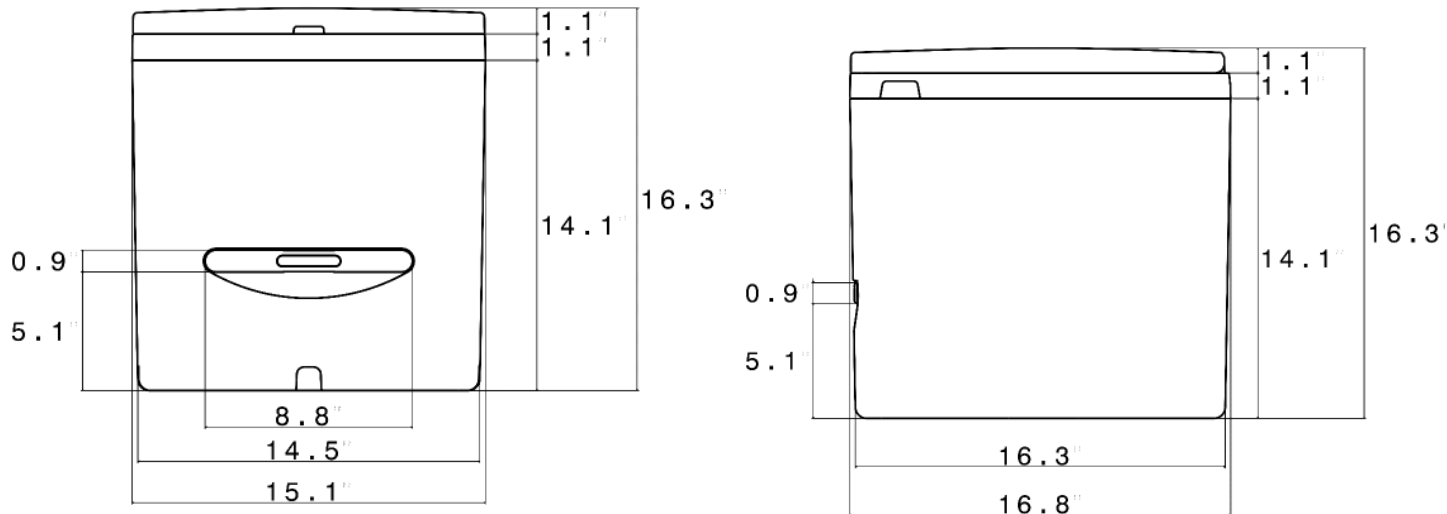
- a reusable carbon filter
- a 4 foot / 120 cm power cable for the fan
- a 9V batter connector inside of the battery housing

You will need to buy

- a 9V battery OR
- a 12V Kit (sold separately)

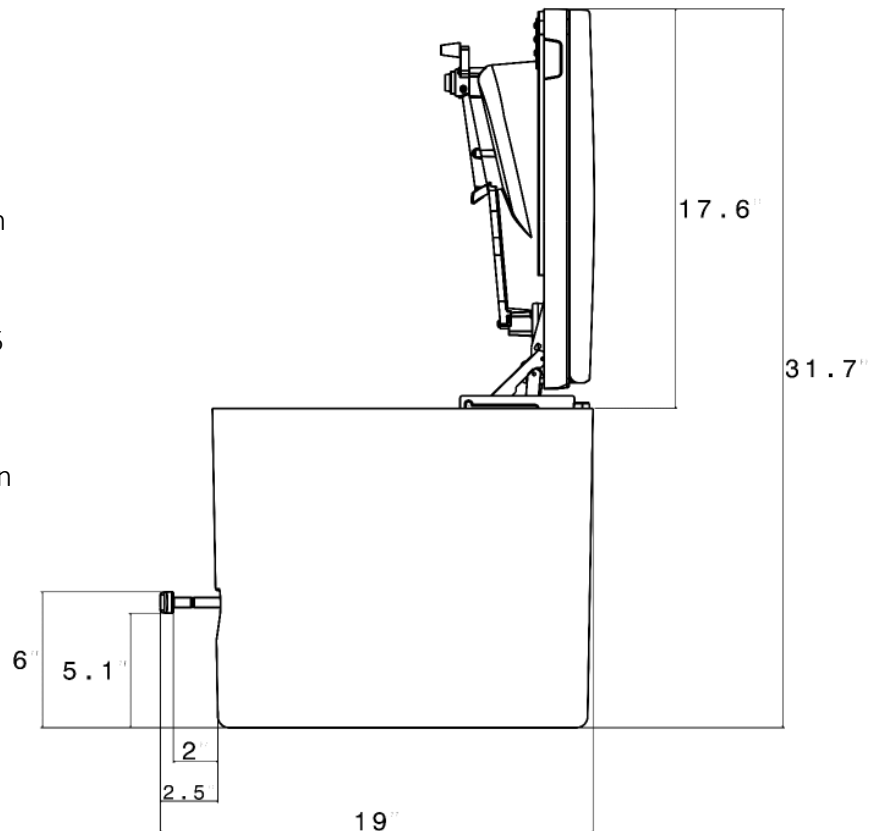
to power the LED liquid-full indicator light for the urine bin.

CUDDY and CUDDY Lite dimensions



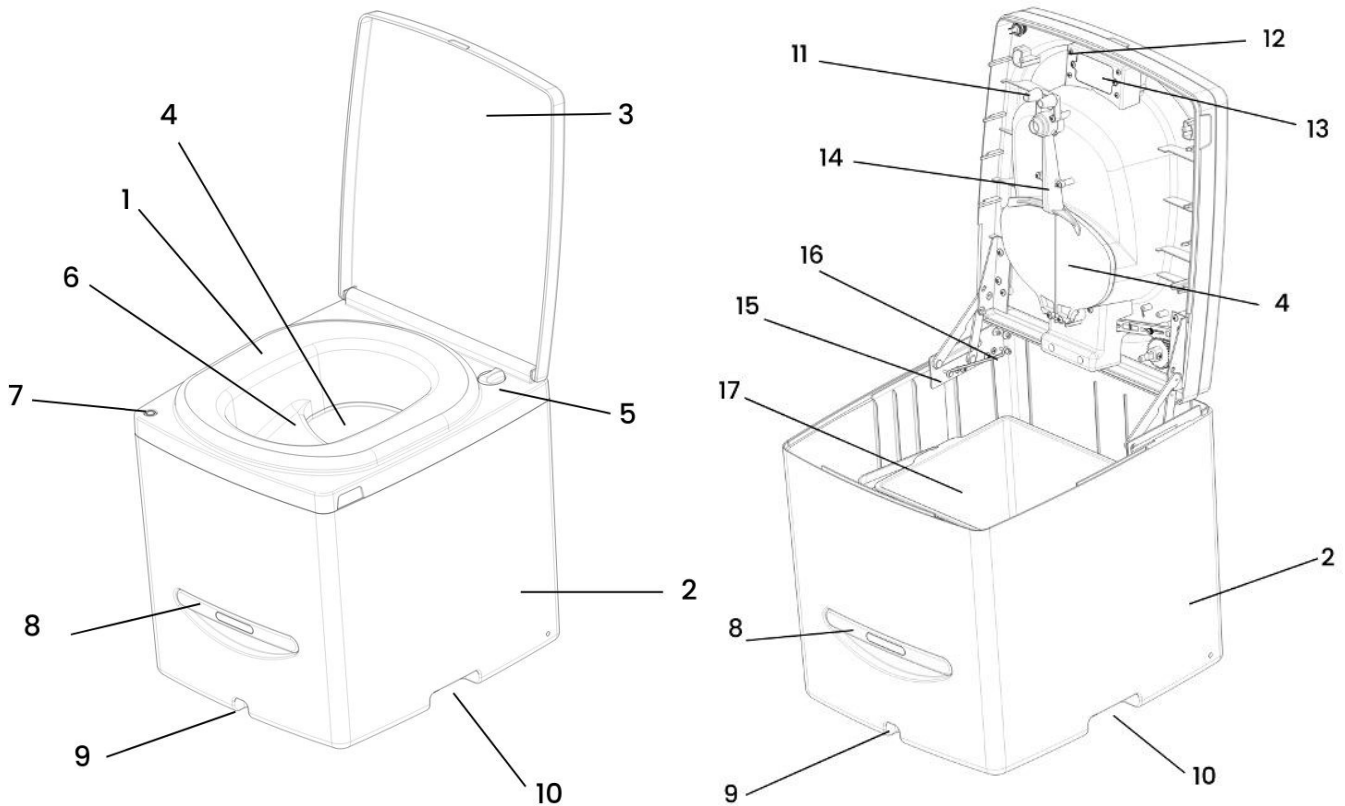
The CUDDY and CUDDY Lite are the same dimensions overall. The only difference from a size perspective is that the CUDDY Lite does not have a handle that extends outward to turn an agitator.

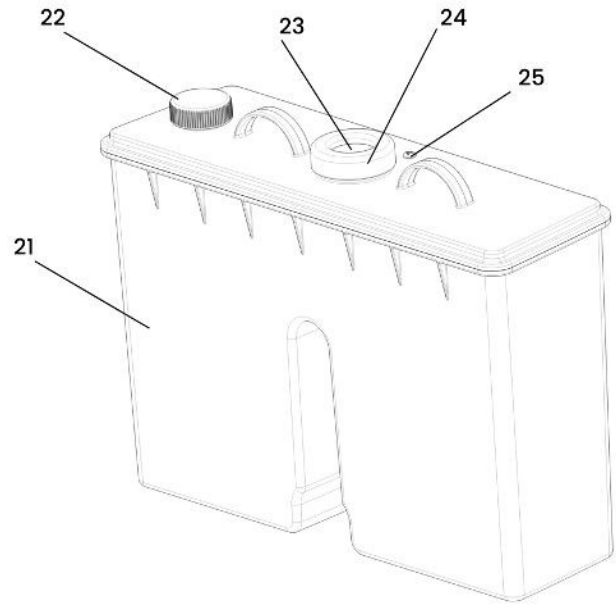
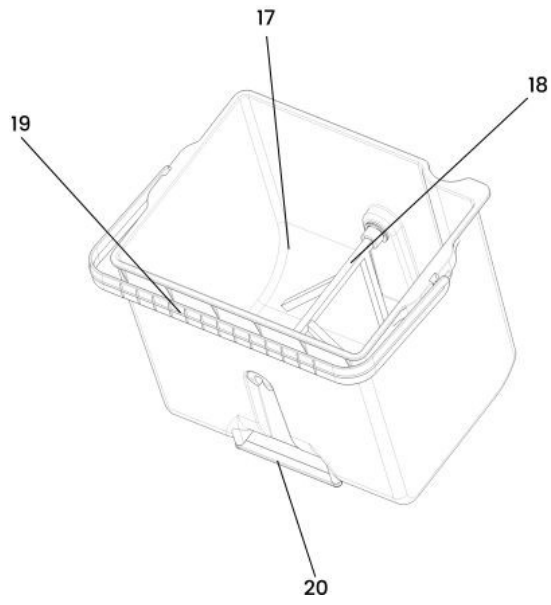
The CUDDY agitator handle extends 2.5 inches and then pushes back into a recessed slot and does not affect the overall depth of the CUDDY when not in use.



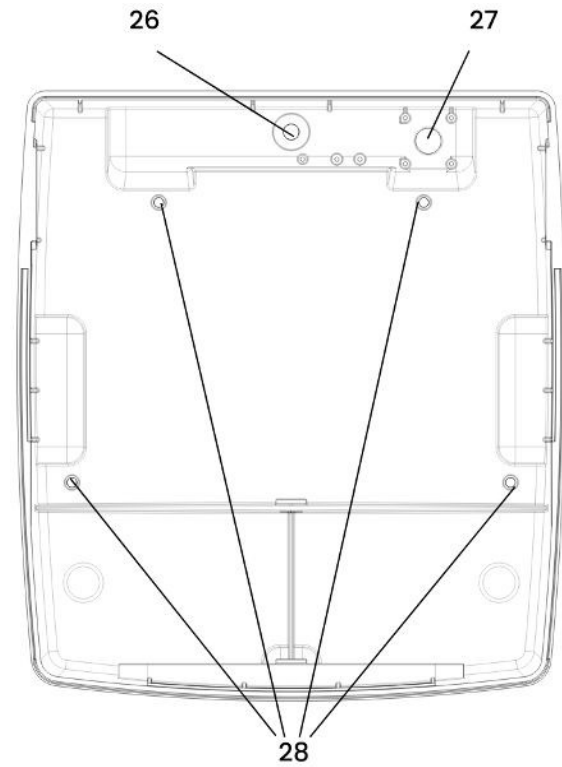
CUDDY and CUDDY Lite Pieces and Parts

- | | | | |
|---|------------------------------|----|------------------------------|
| 1 | Seat | 10 | Handle |
| 2 | Base | 11 | Liquid Level Contact Springs |
| 3 | Seat Cover | 12 | Battery Housing |
| 4 | Cover Plates / 'Drop Zone' | 13 | Battery Cover |
| 5 | Knob for Cover Plates | 14 | Drain Chute |
| 6 | Urine Diverter | 15 | Hinge |
| 7 | Liquid Full Indicator | 16 | Hinge Support Rod |
| 8 | Agitator Handle (CUDDY only) | 17 | Solids Bin |
| 9 | Finger Pull | 18 | Agitator (CUDDY only) |





- 19 Main Solids Bin Handle
- 20 Bottom Solids Bin Handle
- 21 Liquids Bottle
- 22 Drain Cap
- 23 Valve
- 24 Valve Retaining Ring
- 25 Liquid Level Contacts
- 26 Power Input
- 27 Optional Exhaust Vent
- 28 Securing Eyelets



Setting up your CUDDY or CUDDY Lite

1

Once your CUDDY or CUDDY Lite is out of the box, lift the lid and seat to view the inside of the unit. Inside the solids bin you'll find the carbon filter in cardboard packaging. Remove the tape and cardboard and be sure both ends of the filter are clear of obstructions.

2

Remove the solids bin. NOTE: The CUDDY solids bin is locked in place for shipping. To remove it, extend the handle at the front and rotate it 180 degrees so that the legs on the agitator point down towards the base. Another way to tell if your bin is locked: if the Compo Closet logo on the handle is right side up, the bin is unlocked. If the logo is upside-down, the bin is locked.

3

CUDDY: Place a carbon-rich cover material such as coco coir, sustainably sourced peat moss, or sawdust in the base of the solids bin. There should be enough of this composting aggregate to cover 1-2 inches of the agitator's legs. This is approximately 40% of a standard 650g coco coir brick.

CUDDY Lite: Line your agitator-less bin with an 8 gallon/30 liter compostable bag. Then add enough aggregate to cover the bottom of the bag. In each case, the cover material should be crumbly and damp to the touch.



Compo Tip: Remember that compostable and biodegradable are not the same.

Compostable bags are usually made from vegetable starch designed to compost along with the composting elements inside. Biodegradable bags are usually plastic and can break down, but the process takes much longer to do so and there is no nutritional value to the result.

4

Connect the 12V power cable to an appropriately fused power supply. CUDDY and CUDDY Lite each draw 0.1A, so a low amperage fuse is recommended for either unit.

5

Insert the male connector into the power connection at the bottom rear of the CUDDY or CUDDY Lite.

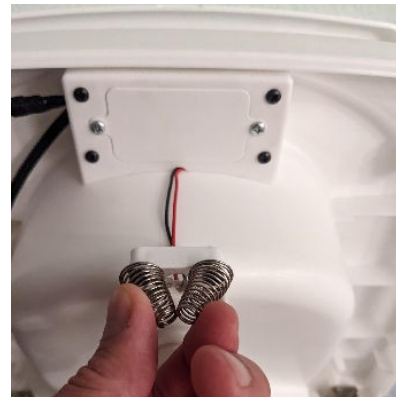
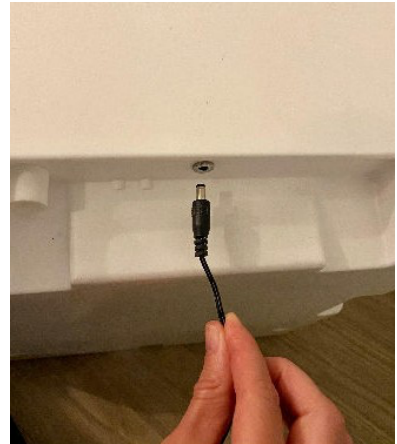
6

Confirm the fan is working by checking for the flow of air. The fan is located inside the unit on the lower back right. If the fan isn't blowing, check that your 12V connection is secure and that power is enabled to that circuit.

7

Insert a 9V battery into the battery box. Confirm the LED liquid-full indicator light is working by pinching the spring contacts near the urine drain enough to touch each other (this closes the light's circuit). The LED light should come on.

Compo Tip: CUDDY takes power for the fan via a 5.5 x 2.1mm DC power supply. These are commonly available worldwide for all domestic power supplies. To connect CUDDY to a regular power outlet, obtain an appropriate 5.5 x 2.1mm 12V adapter for your domestic power supply in either 1A or 2A power rating.



8

Press the carbon filter onto the circular fitting to secure it.

9

Replace the solids bin. For CUDDY: you must orientate the agitator legs downwards for the bin to fit back in.

10

Give your CUDDY or CUDDY Lite a good wipe down to remove any debris left over from the manufacturing and shipping processes. Lower the lid and you're good to go!



How to use your CUDDY or CUDDY Lite

The short version



The long version

Number 1

CUDDY is a urine-diverting dry toilet, commonly known as a composting toilet. CUDDY's seat is specially designed to divert liquids forwards into the urine collection area to prevent them mixing with solids.

We recommend that everyone sits down when using CUDDY. People with internal genitalia can adjust how they sit so that most liquid is captured in the urine collection area at the front. To minimize the liquid that enters the solids chamber, close the plates covering the solids chamber when urinating. Small quantities of liquid which fall on the plates will be diverted toward the main urine drain.

Compo Tip: Have a spray bottle with 5:1 water to white vinegar mix handy to rinse off the plates and urine tray after use.

Number 2

Rotate the knob on the seat to open the plates, sit back, and go.

Like other composting toilets with agitators, we advise not putting toilet paper into the solids bin. It takes a long time to break down, can become wrapped around the agitator and will quickly fill the solids bin. Instead, we suggest folding each used piece of tissue one extra time after use, and then placing it in a bag for disposal separately.

After using CUDDY, close the plates, extend the handle, and rotate the agitator several times each direction to mix the contents of the solids bin. Always stow the handle when the agitator legs are in the downward position —you should feel resistance on the agitator when it's pointing down.

After using CUDDY Lite, toss a handful or two of your chosen composting aggregate over your poo. Make sure it is completely covered up to avoid odors.

Do not put sanitary products or wipes into the solids bin.

Compo Tip: We recommend keeping some hydrated coco coir in a leak-proof plastic bag so that if you need some, it's ready for use.

Going 1 & 2 at the same time

If you're unsure whether you're going for a one, two, or both together just open the plates. Cleaning isn't fun but any excess moisture can be easily dealt with afterwards.

Emptying the urine bin

When the liquid chamber needs to be emptied, the LED indicator will turn on. To empty the urine tank, lift the seat up, remove the bottle and unscrew the drain cap. The blue valve will permit air to enter the bottle and prevent 'chugging'. Just in case, pour slowly to avoid splashback. The urine bottle can be emptied into a regular toilet, RV dump station or another appropriate facility. Check local laws and always be considerate of others when disposing of urine.

Compo Tip: We recommend checking the liquid level before going to sleep in case multiple people need to use the toilet overnight.

Emptying the solids bin

Emptying the solids bin is nobody's favorite task, but with CUDDY, we've tried to make it as quick and painless as possible. To help you out, we've placed handy handles on the base of the bin for speedy emptying and shaking it like a polaroid picture.

Remember: After using any composting toilet, the contents of the solids bin will require additional time to fully compost and kill any pathogens.

If you're on a short vacation, the most environmental way to dispose of the solids is to place them in your home composting bin. Make a hole for the material in the center of the compost pile and place the contents in the hole before covering with dry leaves, straw, or another suitable cover material.

Ensure that you leave the compost for at least 6-12 months (depending on season and climate) to fully mature before using the compost on flowers or fruit trees.

When traveling, it is normally possible to dispose of solids in the trash. To do so, empty the contents of the solids bin into a compostable bag and place in an appropriate trash can. Please be considerate when disposing of your waste and ensure the bag is strong and unlikely to leak into the trash bin.

Optional installation: Securing CUDDY or CUDDY Lite in place

CUDDY can be easily secured in place for bumpy roads, choppy seas, or very rough nights.

Unlike some other composting toilets, CUDDY can be secured flush against a wall while allowing access to the solids bin and liquids bottle. No disassembly is required.

Tools you'll need:

- Drill
- 4mm or 5/32 drill bit
- Pencil
- Screwdriver

Additional Materials (not included):

- Appropriate fixings for the surface you're securing CUDDY to (i.e. screws or rivets, etc.)

Steps:

1. Disconnect CUDDY from power source
2. Remove CUDDY's Solids bin and liquid bottle.
3. Lift CUDDY's seat and carefully lay the unit on its side.
4. Drill through the four eyelets in the base.
5. Place CUDDY upright and in the desired position. Mark the floor with a pencil through the holes in the base.
6. Drill pilot holes in the floor where marked and secure fixings if required.
7. Place screws through the eyelets in the base and into the floor.
8. Re-connect the power supply.

Optional installation: Converting LED light power to 12V

The liquids-full indicator LED can be configured to operate at 12V supplied at the main power input. 12V Power Kit required and can be purchased separately.

Tools you'll need:

- Philips Screwdriver
- Flat Screwdriver
- 10mm Drill

Additional Materials (not included):

- 12V Power Kit:
 - o 12v circuit Float switch
 - o Contact screws. Power extension cable Conduit
 - o Cable ties
 - o Self-adhesive fasteners
- An 8 inch (200mm) length of string

Optional Materials:

- 9mm or 3/8" Drill

Steps:

1. Disconnect the 12V power input from CUDDY- this can be checked by confirming the fan is not running.
2. Remove the screws securing the battery box to the seat.
3. Remove the battery box cover and any battery that may be inside. Replace the battery box cover.
4. Disconnect the LED and 9v power input from the circuit board.
5. Unscrew the spring contacts and place them somewhere safe.
6. You can now remove the 9v circuit board and replace it with the 12v circuit board.
7. Connect the ring terminals to the spring contacts on the drain tube.
8. Connect the LED and the free end of the 12V power cable to the POWER connection on the circuit board.
9. Pass the power extension cable through the split in the conduit.

10. Secure the conduit from the battery box to the rear of the toilet, as shown below, using the self-adhesive fasteners. Optionally, use a drill to make holes in the ribs of the seat and feed the conduit through.
11. Carefully ensure the conduit is located in the slot in the side of the battery box and the wires to the contact springs pass through the small channel. Re-attach the battery box to the seat again.
12. Re-connect the 12V power supply and test the installation by pinching the springs together to observe the LED turning on.

Optional installation: Venting externally

CUDDY and CUDDY Lite are configured to recirculate air through the carbon filter to reduce odors. Each can be configured to vent externally if desired.

Tools Required:

- Philips Screwdriver
- Flat Screwdriver

Additional materials required (not supplied):

- Ventilation hose (0.825"/21mm Internal Diameter)
- Jubilee clip to secure the hose
- Fly screen or similar

Steps:

1. Disconnect the power supply at the rear.
2. Remove CUDDY's solids bin and carbon filter.
3. Unscrew the filter adapter.
4. Using the flat head screwdriver, remove the circulation adapter between the four plastic bosses.
5. Invert the circulation adapter and secure it by replacing the filter adapter. Air will now vent externally from the unit through the exhaust pipe.
6. Place a fly mesh or screen over the vent outlet before securing the vent hose.
7. Vent the hose through the floor, wall, or ceiling using an appropriate cowl.
8. Confirm air is flowing through the external vent as expected by testing flow from the outlet with your hand.
9. Replace the solids bin and reconnect the power.

Optional installation: Drain-away kit

Your CUDDY or CUDDY Lite can be outfitted to drain to an external tank such as an existing gray tank so you don't have to worry about emptying the urine container. Our drain-away kit is available for purchase in our online store.

Tools needed:

- a
- b
- c

Additional materials needed:

- 1
- 2
- 3

Steps:

1. A
2. B
3. C



Cleaning your CUDDY or CUDDY Lite

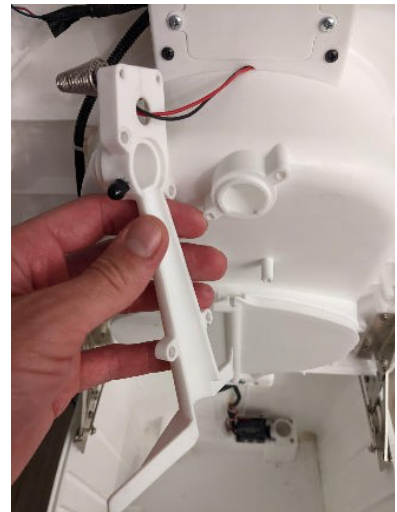
As the old saying goes, “a clean toilet is a happy toilet.” Thankfully, your CUDDY or CUDDY Lite is easy to clean and doesn’t require any toxic, abrasive materials.

Tools and materials you’ll need:

- Rubber gloves
- Eye protection
- Soft cloth or sponge (no abrasive sponges)
- #2 Philips screwdriver
- Soapy water
- Clean water

Steps

1. Using the soft cloth or sponge, use the soapy water to wipe down the CUDDY inside and out.
2. Moisten any stubborn marks for a few minutes with water to soften them before trying to clean them.
3. The ‘pee chute’ between the plates and the drain tube from the urine diverter can be removed for cleaning. Remove it by unscrewing the four screws and detaching it as shown in the image on the right.
4. After cleaning, replace the chute with the four screws.
5. The liquid and solids bins can be cleaned using a hose if available.



Refilling the carbon filter

The CUDDY comes with a carbon filter to reduce odors. Activated carbon is a natural material with many microscopic pores. These pores trap odors and prevent them from escaping. Over time, these pores become full , so we recommend replacing the carbon in the filter every 6-12 months.

Activated Carbon pellets can be purchased at pet stores or online. We recommend 4mm carbon pellets to allow sufficient airflow over the surface.

No tools required.

Materials needed:

- Activated Carbon pellets

Steps:

1. Remove the solids bin.
2. Remove the filter and carefully remove the top cap of the tube.
3. Place the spent carbon into the rubbish or your compost pile.
4. Refill the tube with fresh activated carbon pellets and replace the cap on top of the filter
5. Place the filter over the filter adapter and replace the solids bin.

Replacing the silicone bottle valve

Over time, the blue silicone valve within the liquids bottle can deteriorate. When this happens, the valve should be removed and replaced with a new valve. Replacement valves are available for sale on our site.

Tools you'll need:

- Flat Screwdriver

Additional Materials (not included):

- Replacement valve

Steps:

1. Remove the liquids bottle from CUDDY and dispose of the contents.
2. Remove the retaining ring from the liquids bottle- we recommend using the flat screwdriver to facilitate this.
3. Remove the old silicone valve from the bottle and dispose of it in the rubbish.
4. Place the new valve over the lip of the retaining ring.
5. Replace the retaining ring on the bottle and place the bottle back inside CUDDY™.
6. Wash your hands and enjoy your victory beverage.

Troubleshooting

Aggregate is too dry

If the contents of your solids bin are too dry this can cause it to smell. Add some water and mix well.

Excess moisture

If the solids bin is excessively moist so that the contents become clay-like, add some extra cover material and mix well using the agitator.

Condensation

If you have a buildup of condensation on the inside of the unit, this is nothing to worry about. We suggest adding a small amount of kitchen roll or absorbent material on either side of the solids bin (not under it) to absorb excess moisture.

Fruit flies

If you find that you are attracting small flies in your CUDDY composting toilet the first step is to try to determine how they are getting inside.

If you are venting externally, the most likely entry point is the external vent hose not having a suitable filter.

To kill any flies, we suggest adding 3 cups of food-grade Diatomaceous Earth to the solids bin and mixing thoroughly with the agitator. Diatomaceous earth is a naturally occurring mineral commonly used in the food industry to prevent insects.

Fan not working

Check if power is being supplied. Check the positive and negative wires are correctly connected. The fan will not work if the polarity is reversed. Check that the fan is not blocked from rotating by any debris.

If you still experience difficulty, please contact us for assistance. If the fan needs to be replaced, a free replacement will be sent.

Agitator handle not turning

Don't forcefully turn the handle! Check that nothing is under the solids bin to misalign the agitator in the bin and the drive shaft. Try to rotate the handle in the opposite direction to free it.

Check if blocks of unhydrated coco coir are blocking it. Ensure that the coco coir is fully hydrated by adding additional water.

Ensure nothing is wrapped around the agitator—if so empty the solids bin and untangle it.

The Solids bin moves when I turn the handle.

Check that there are no small parts or coco coir under the solids bin.

Check that there is nothing stuck between the interface between the solids bin and the drive shaft.

The liquid light is always on and won't turn off.

Check that the circuit board isn't damaged. If the circuit board is damaged, disconnect the power and contact us for a replacement circuit board.

Ensure there is no water or moisture on the circuit board. If drying the circuit board resolves the problem, the waterproof coating has failed and the board needs to be replaced. Contact us for a replacement circuit board.

Try reversing the polarity of the 12V power supply. If this resolves the issue with the LED but disables the fan, contact us for a replacement cable.

The LED liquid indicator light isn't turning on.

First check that power is being supplied to the indicator light circuit:

If the LED is powered by 9V battery, check that the battery is not dead.

If the LED is powered by 12V (optional setup), check that 12V power is being supplied—if the fan is connected it should be running. If that doesn't work, try supplying power with a 9V battery. Test it by pinching the spring contacts together. If this resolves the issue, contact us for a replacement 12V power lead.

The LED liquid indicator light is permanently on.

Try reversing the polarity of the power supply. If this resolves the issue and you are using a 9V battery, please contact us for a replacement battery connector. If this resolves the issue and you are using 12V power, confirm that the fan is running with the reverse polarity. If the fan is not running, please contact us for a replacement power lead.

For other issues check our website and Facebook group for more help and information.

Limited Warranty

Compo Closet Ltd warrants to repair or replace any CUDDY™ Composting Toilet or CUDDY Lite™ and its components made by Compo Closet and purchased directly from Compo Closet or Compo Closet's authorized distributors and dealers if it is found defective in material, construction, or workmanship under normal use and following instructions for installation, use, and care for a period of two (2) years from the date of purchase and or delivery in the case of pre-orders. This Limited Warranty is valid only in the countries where Compo Closet sells directly or through its authorized distributors and dealers.

Should your product require warranty service, please contact us at info@compocloset.com for a warranty evaluation. Upon approval of your claim, Compo Closet will repair or replace the item(s) without charge. At this time Compo Closet will decide whether or not to have the items returned postage prepaid to Compo Closet or if they should be according to local laws properly disposed of.

Exclusions

This warranty extends to the original purchaser only and is non-transferable.

This warranty does not cover any problems caused by any condition, malfunction, or damage:

- a. Caused by defects other than defects in materials or workmanship;
- b. Resulting from normal wear and tear;
- c. Improper installation;
- d. Improper maintenance or repair;
- e. Misuse, abuse, negligence, accident, alteration of a part or the product, or any external causes; or
- f. To any accessories, materials, products, or parts not manufactured or supplied by Compo Closet Ltd.

Limitation of liability

Except as provided in this warranty and to the maximum extent permitted by applicable law, Compo Closet Ltd. is not responsible for special, incidental, or consequential damages, including but not limited to damages to personal or real property, resulting from any breach of warranty or condition, or under any other legal theory, including but not limited to loss of use. The forgoing

limitation shall not apply to death or personal injury claims, or any statutory liability for intentional and gross negligent acts and or omissions.

Index

1	
12V power, 13, 19, 20, 27, 28	
9	
9V power, 8, 13, 27, 28	
A	
activated carbon, 24	
aggregate, 12, 16, 26	
agitator, 6, 9, 12, 14, 16, 26, 27	
C	
carbon filter, 2, 8, 12, 14, 21, 24	
cleaning, 6, 23	
community, 3	
Compo Crew, 3	
Compo Crew Facebook group, 2, 3	
compostable bag, 12, 17	
composting human waste, 7	
condensation, 26	
D	
dimensions, 2, 9	
drain-away kit, 2, 22	
drop zone, 6	
E	
emptying, 16, 17	
F	
fan, 4, 8, 13, 19, 26, 27, 28	
Fruit flies, 26	
G	
Going 1 & 2 at the same time , 16	
guidelines, 2, 4	
	H
	how to use CUDDY, 6
	<i>Humanure Handbook, The</i> , 7
	L
	LED, 2, 8, 13, 16, 19, 20, 27, 28
	liability, 29, 30
	lid, 5, 6, 12, 14
	liquid indicator light, 27, 28
	liquid light, 27
	M
	moisture, 4, 16, 26, 27
	N
	Number 1 , 15
	Number 2 , 16
	P
	plates, 15, 16, 23
	power cable, 8, 13, 19
	power supply, 13, 18, 20, 21, 27, 28
	Prop65 warning, 5
	S
	safety, 2, 4, 6
	securing CUDDY or CUDDY Lite in place, 2, 18
	silicone valve, 25
	solids bin, 6, 7, 12, 14, 16, 17, 18, 21, 24, 26, 27
	U
	urine-diverting, 15
	V
	valve, 2, 16, 25

venting externally, 2, 21

warranty, 2, 3, 29

wet bath, 4

W

warnings, 2, 4