

BERLIN
SPIRAL STAIRS



GERMAN STEPS LLC

On behalf of everyone at German Steps LLC, we would like to thank you for your purchase of one of our products. This product is designed and manufactured in Romania.

These stairs come with an Installation Manual.

It is important that you read and fully understand this manual prior to installation. If you follow the steps exactly as specified in the manual, you will easily carry out the installation and reduce the amount of time necessary to complete the process.

Keep this manual even after the installation process has been completed. Understand how to use tools that may be required during the installation process. Observe all safety warnings called out in this manual. Make sure those who may install this product for you understand this manual.

WARRANTY:

The German Steps LLC provides one-year warranty on materials and workmanship, beginning on the day you take delivery of the Stair Kit. We will replace any part returned to us during that period at no cost. This guarantee is invalid if the installation was not completed in accordance with our assembly procedures or if the Stair Kit is abused or not maintained by the customer.

Stairs that are hot-dipped galvanized and stairs constructed of aluminum or stainless steel, are highly recommended for salt water conditions.

It is the customer's responsibility to advise us of any and all building codes or special requirements for your Stair Kit from German Steps. As manufacturers of quality stairs, we can design a stair to meet almost any requirements.

If you have any questions, please do not hesitate to write us.

EXCHANGE, RETURN, AND CANCELLATION POLICY:

Standard Stair Kits ("Kit") on which assembly has not begun may be exchanged for credit* towards a different diameter Kit provided that German Steps receives the customer's written exchange request no later than 90 days from the date of customer's receipt of the original Kit.

Custom orders may not be exchanged. Custom orders include, without limitation, any non-standard Stair Kit, multi-story units, Welded Stair sand any other custom work.

RETURN POLICY:

Standard Stair Kits ("Kit") on which assembly has not begun may be returned for refund* provided that German Steps receives the customer's written return request no later than 90 days from the date of customer's receipt of the Kit. All returns must be authorized and accompanied by an authorization number.

Custom Orders may not be returned. Custom orders include, without limitation, any non-standard Stair Kit, multi-story units, Welded Stairs and any other custom work.

*All returns are subject to a 15% restocking charge, which will be deducted from the credit allowed towards a different Kit. Further reductions may be made, at German Steps's sole discretion, on credit after returned Kits are inspected. Refunds will be calculated according to the following formula: Total Purchase Price (including tax) less shipping, handling, destination, insurance charges less 15% restocking fee.

CANCELLATION POLICY:

Custom Orders may not be cancelled for a refund after 5 business days from the date of order.

Custom orders include, without limitation, any non-standard Stair Kit, multi-story units, Welded Stairs and any other custom work.

- GERMAN STEPS WILL NOT BE RESPONSIBLE FOR ANY REPAIR WITHOUT PRIOR WRITTEN APPROVAL.
- ALL FREIGHT CHARGES ON EXCHANGES AND RETURNS WILL BE PAID BY THE CUSTOMER.

SAFETY NOTICE:

CHECK YOUR LOCAL CODES FOR RAIL HEIGHTS AND SPINDLE SPACING.

Prohibit use and access of Stair Kit until all steps of installation have been completed. Wear safety goggles during assembly.

Before starting the installation of your Spiral Stair Kit, please read the instructions to become familiar with all of the components and procedures.

Unauthorized modifications may present extreme safety hazards and could also result in injury or product damage. German Steps LLC strongly warns against, rejects and disclaims any modifications, add-on accessories or product alterations that are not designed, developed, tested and approved by German Steps's Engineering Department. Any German Steps product that is altered, modified or changed in any manner not specifically authorized after original manufacture – including the addition of “aftermarket” accessories or component parts not specifically approved by German Steps LLC – will result in the German Steps warranty being voided. Any and all liability for personal injury and/or property damage caused by any unauthorized modifications, add-on accessories or products not approved by German Steps LLC will be considered the responsibility of the individual(s) or company designing and/or making such changes. German Steps LLC will vigorously pursue full indemnification and costs from any party responsible for such unauthorized post-manufacture modifications and/or accessories should personal injury and/or property damage result.

If any portion of this manual is unclear, contact the German Steps Customer Service Department for clarification.

It is the owner's responsibility to be familiar with the use of any tools that may be necessary to complete the installation of this product. Read the manual for these specific tools.

Do not install or allow anyone to install this product if there are any questions about the installation process.

Never attempt to install this product if any of the components are damaged or have any unauthorized modifications.

Wear the appropriate personal protective equipment during installation.

Keep the Installation Manual legible and intact.

Do not attempt to install this product while under the influence of drugs or alcohol.

SITE PREPARATION

Check the area where the product is to be installed.

- Be sure the area is clear of pets and people, especially children.
Stop the installation process if any enter the area.
- Only use components approved by the manufacturer.
- Installation should be done in daylight or in good artificial light.

INSTALLATION PREPARATION

Do not tamper with any component.

- Use extra care when unloading or moving any component. Some components may be heavy and require multiple people to move them safely.
- Keep all fasteners such as nuts and bolts well secured.
- Verify that all components are in good condition and are not damaged in any way.
- Do not start the assembly process until you read the Installation Manual.
- Do not use the stair until the assembly process is complete.

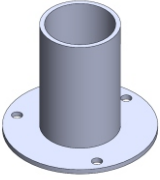
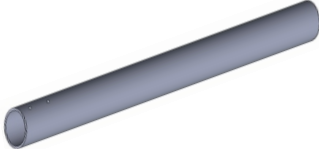
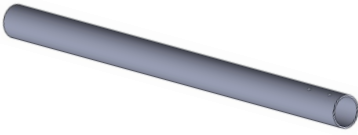

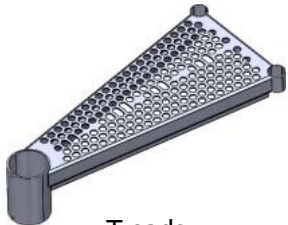
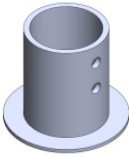


The special feature of the steps is again in the foreground here: an elegant and optically unobtrusive honeycomb structure ensures particularly high stability on the one hand and prevents the formation of puddles and ice on the other. Just like the heavyweights of the other editions of the BRLN external staircase, the Premium Edition also impresses with its straight lines and the associated puristic appearance. The end-to-end precision standpipe ensures absolute stability to hold this heavyweight with its enormous material strength made of 0.2 in hick steel securely. The spiral staircase is made of hot-dip galvanized steel and is therefore particularly weather-resistant.





The open-air staircase for the upper part of the room is 7 ft 1.03 in long and is ideal for a balcony staircase. The current height of the staircase in the diameter of 3 ft 11.24 in to 5 ft 10.86 in is determined by the fact that the BRLN is designed in the design. To the right of the opening BRLN is a new gate. Parallel with the strap, a length of about 1.30 may be applied to the upper part of the wicket. The parallel line is connected to the spindle staircase. Naturally, the handles are made of an anodized aluminum model with a diameter of 1.57 in. For the purposes of this step, there shall be a stable version of the transfer system. The great feature of the BRLN outdoor staircase is the structure of the steps.



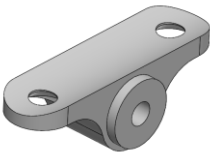

Unlike the other models, no diamond-shaped steps or WPC pads are used here. The BRLN has steps with an elegant honeycomb structure and thus offers a particularly high-quality look. A steplessly adjustable incline from 7.09 in to 9.25 in ensures maximum walking comfort.

PARTS

GERMAN STEPS LLC






<p>(A)</p>  <p>Starting Base Plate</p>	<p>(B)</p> <p>approx. 9' 9"x 3 9/16" 2990 mm x 90mm</p>  <p>Center Pole</p>
<p>1 pcs</p>	<p>1 pcs</p>
<p>(C)</p> <p>approx. 3' 2" 990 mm</p>  <p>Center Pole for Landing</p>	<p>(D)</p>  <p>Landing</p>
<p>1 pcs</p>	<p>1 pcs</p>
<p>(E)</p>  <p>Treads</p>	<p>(F)</p>  <p>Starting Base Plate for Railing</p>
<p>11 pcs</p>	<p>1 pcs</p>
<p>(G)</p> <p>approx. 3' 6" 1090 mm</p>  <p>Railing Spindles</p>	<p>(H)</p>  <p>Railing Spindles for Landing</p>
<p>12 pcs</p>	<p>3 pcs</p>









<p>(i)</p> <p>approx. Ø 1/4" Ø 7 mm</p>  <p>Horizontal Railing Spindles</p>	<p>(j)</p> <p>approx. Ø 1/4" Ø 7 mm</p>  <p>Horizontal Railing Spindles</p>
<p>4 pcs + 5 pcs (landing)</p>	<p>16 pcs</p>
<p>(k)</p> <p>approx. Ø 1 9/16" Ø 40 mm</p>  <p>Aluminium Handrail Grip</p>	<p>(l)</p> <p>approx. Ø 1 9/16" Ø 40 mm</p>  <p>Aluminium Handrail Grip for Landing</p>
<p>5 pcs</p>	<p>1 pcs</p>

<p>(m)</p>  <p>Reducer Handrail Brackets to Railing Spindles</p>	<p>(n)</p>  <p>Handrail Brackets</p>
<p>15 pcs</p>	<p>15 pcs</p>
<p>(o)</p>  <p>Handrail Brackets (part 2)</p>	<p>(p)</p>  <p>Handrail Inline Connector</p>
<p>15 pcs</p>	<p>4 pcs</p>

PARTS


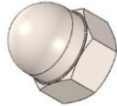




GERMAN STEPS LLC




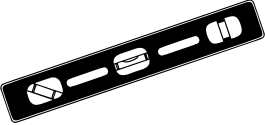

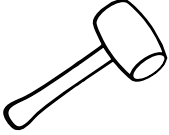
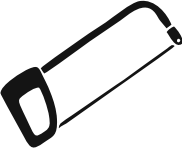





<p>(R)</p> <p>approx. \varnothing 5/16" \varnothing 8 mm</p>  <p>Gray Plastic Insert Cup (for Horizontal Railing Spindles)</p>	<p>(S)</p> <p>approx. \varnothing 1 9/16" \varnothing 40 mm</p>  <p>Gray Plastic Insert Cup (for Handrail Grip)</p>
<p>18 pcs</p>	<p>4 pcs</p>
<p>(T)</p> <p>approx. \varnothing 3 15/16" \varnothing 10 mm</p>  <p>INOX Center Pole Cap</p>	
<p>1 pcs</p>	
<p>(U)</p> <p>approx. 1/8" 3 mm</p>  <p>Hex Key (for Socketset Screw)</p>	<p>(U1)</p> <p>approx. 5/32" \varnothing 4 mm</p>  <p>Hex Key (for Socketset Screw)</p>
<p>1 pcs</p>	<p>1 pcs</p>

<p>1</p> <p>approx. 5/16" x 1/2" M8 x10 mm</p>  <p>Socketset Screw (Cup Point Socket)</p>	<p>2</p> <p>approx. 1/4" x 1/4" M6 x6 mm</p>  <p>Socketset Screw (Cup Point Socket)</p>
<p>28 pcs</p>	<p>50 pcs</p>
<p>3</p> <p>approx. 1/4" x 1" 6,0 x 25 mm</p>  <p>Button Head Lag Screw</p>	<p>4</p> <p>approx. 3/16" x 5/8" 4,8 x 16 mm</p>  <p>Pan Head Lag Screw</p>
<p>15 pcs</p>	<p>15 pcs</p>
<p>5</p> <p>approx. Ø 3/16" Ø 4,0 mm</p>  <p>Twist Drill</p>	<p>6</p> <p>approx. Ø 3/16" Ø 4,8 mm</p>  <p>Twist Drill</p>
<p>1 pcs</p>	<p>1 pcs</p>
<p>7</p> <p>approx. 3/16" x 5/8" 4.8 x 16 mm</p>  <p>Flat Head Lag Screw</p>	<p>8</p> <p>approx. 1/16" x 7 7/8" 2,5 x 200 mm</p>  <p>Cable Ties</p>
<p>30 pcs</p>	<p>30 pcs</p>

HARDWARE

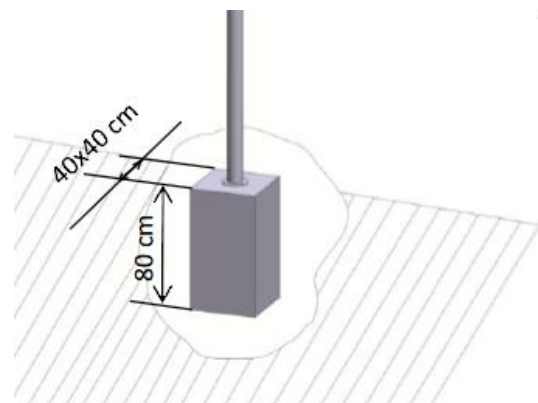
GERMAN STEPS LLC

<p>9</p> <p>approx. 1/4" M6</p>  <p>Hook (for Horizontal Railing Spindles)</p>	<p>10</p> <p>approx. 1/4" M6</p>  <p>Cup Nut (for Hook 7)</p>
<p>63 pcs</p>	<p>63 pcs</p>
<p>11</p> <p>approx. 3/16" x 13/16" 5 x 20 mm</p>  <p>Elastic Pin</p>	<p>12</p> <p>approx. 5/16" x 1" M8 x 25 mm</p>  <p>Hex Head Bolt (for Landing)</p>
<p>12 pcs</p>	<p>6 pcs</p>
<p>13</p> <p>approx. Ø 5/16" Ø 8 mm</p>  <p>Flat Washer (for 12)</p>	<p>14</p> <p>approx. 5/16" M8</p>  <p>Nut (for 13)</p>
<p>6 pcs</p>	<p>6 pcs</p>

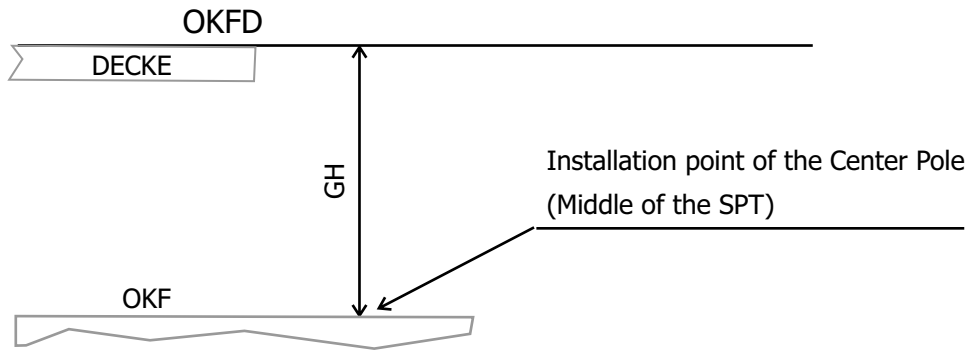
 <p>Safety Goggles</p>	 <p>Tape Measure</p>	 <p>Plum Bob</p>
 <p>Level</p>	 <p>Screwdrivers (Standard & Philips)</p>	 <p>Rubber Mallet</p>
 <p>Hack Saw</p>	 <p>Adjustable Wrench</p>	 <p>Square Metal File</p>
 <p>Electric Drill</p>	 <p>Caulk Gun (Silicone)</p>	 <p>Cutter</p>

FOUNDATION DETAILS FOR EXTERIOR SPIRAL STAIRCASE:

Foundation information according to normal
Soil conditions with grown soil.
Concrete material: Bn25
Dimensions 40 x 40 cm
Founded frost-free (approx. 80 cm)
on grown ground!



LEAD CALCULATION:



Measure the storey height (**GH**) from the top edge of the floor (**OKF**) up to the top edge of the floor of the ceiling opening (**OKFD**) » see **Figure 1**.

ATTENTION - Also take into account the levelness of the foundation. To do this, measure the correct dimension from the installation point of the standpipe (**OKF**) to the starting point of the platform (**OKFD**).

Rise (floor height) min - max	Number of risers	Number of treads	Riser height min - max
6ft 5.95 in-10ft 0.28 in	12	11	7.09 in - 9.25 in

Divide (:) the floor height by the number of risers (=number of steps + landing).

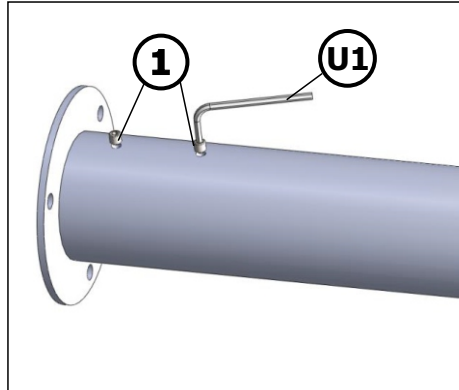
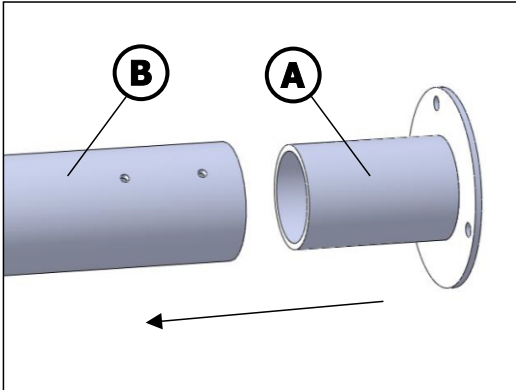
EXAMPLE – Floor height (rise) 8ft 3.21in : 12 risers = 8.26 in

**Check all screw connections regularly
firmly seated on you!**

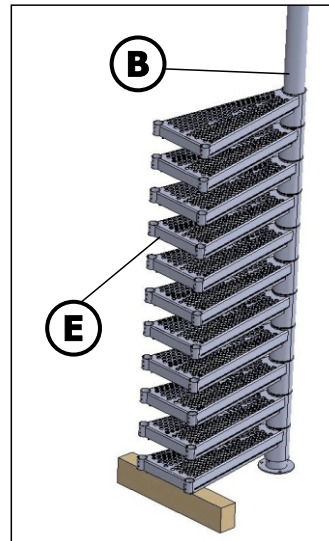
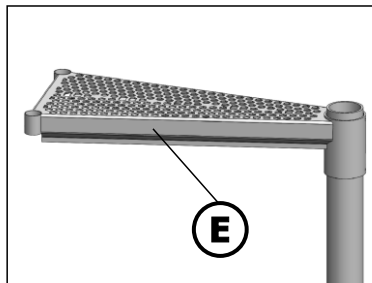
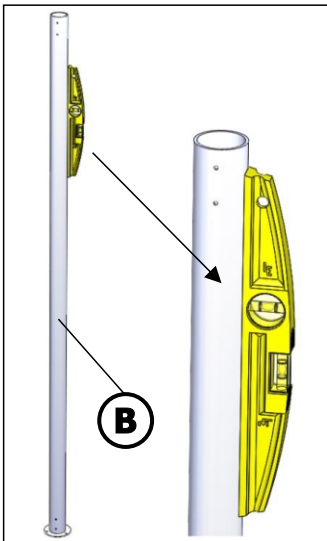
**Use the parts list to check that the material is complete.
No liability is accepted for damage caused by improper installation.**



The numbers in brackets (...) specify the positions of the parts list



Insert the footplate **(A)** into the central standpipe **(B)** and screw the two components together with the threaded pins **(1)**.



Determine the attachment point of the central standpipe and erect the pipe over this point. Then slide the steps **(E)** onto the central standpipe. In the last step you put the pedestal **(D)** on the tube.

Align the steps opposite the landing. As an aid, take a piece of wood, for example, for a better support. Do not leave the standpipe with the steps standing freely, but ensure safety.

PARTS

(A)

(B)

(E)

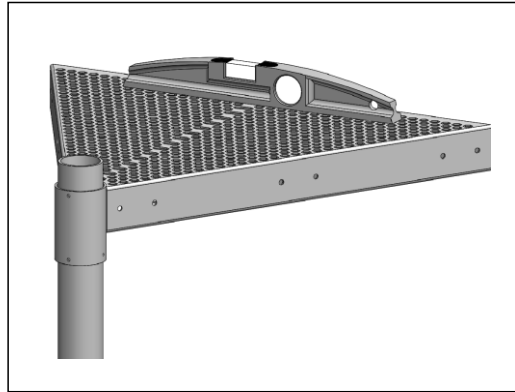
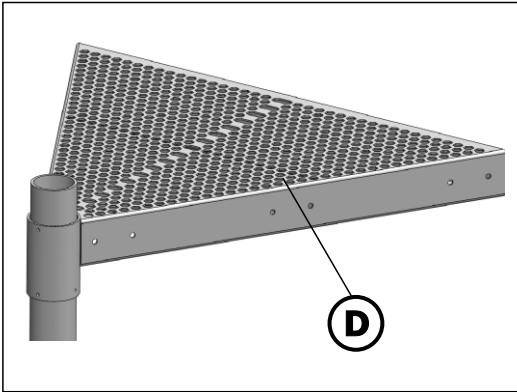
(U1)

HARDWARE

(1)

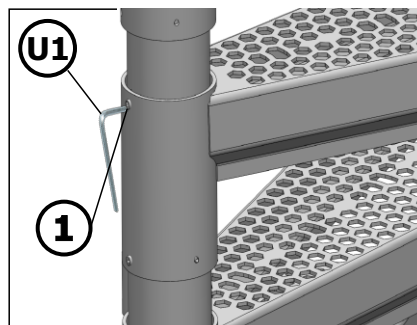
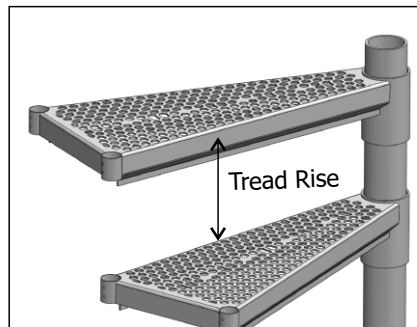
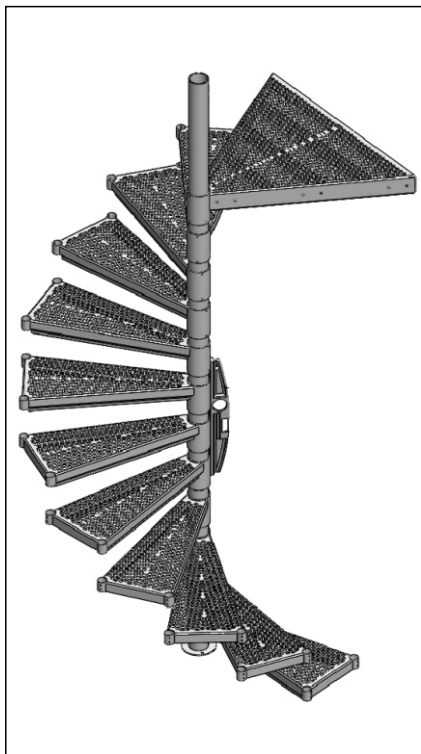
TOOLS





Align the exit platform flush with the top edge of the finished floor and screw on. For wooden ceilings, use at least 8x50 mm key screws. For concrete ceilings, anchor the platform with heavy-duty dowels. After you have attached the platform, the central standpipe must be aligned vertically and screwed to the foundation. All screws must be tightened carefully.

 Note! Staircase - building fastening material is not included.



Determine the riser height and align the steps starting from the top. Screw the steps with the threads **(1)**. Do this very carefully. It may well be necessary to adjust the level several times.

PARTS

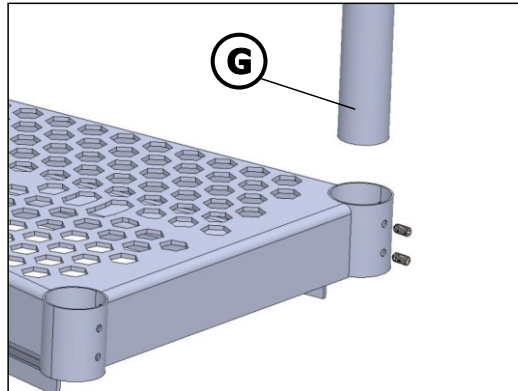
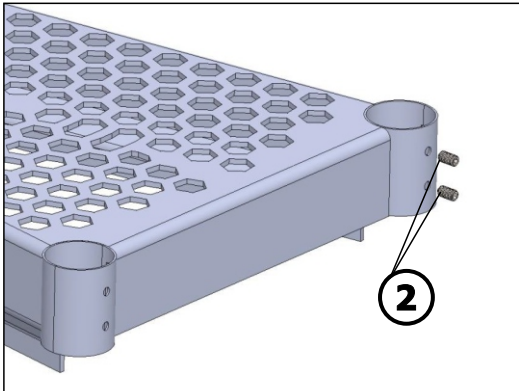


HARDWARE

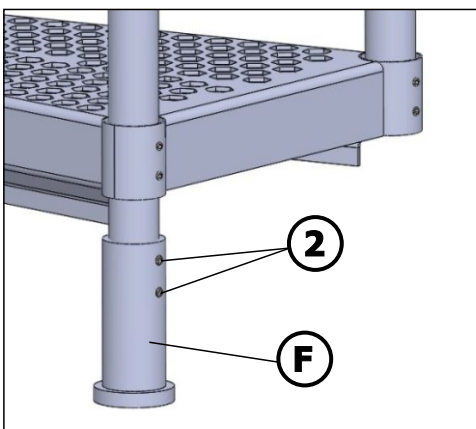
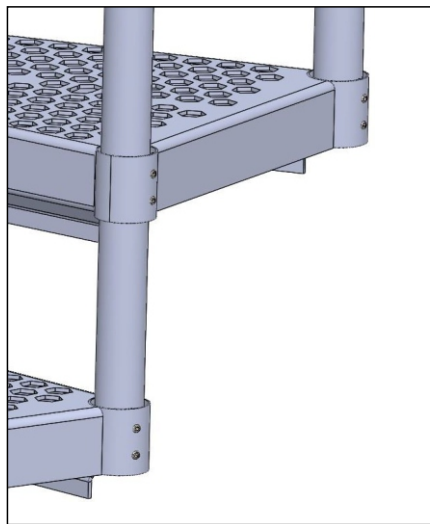
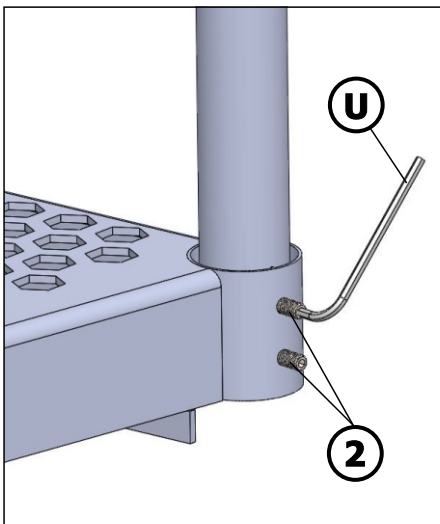


TOOLS





Now the railing rods (G) are inserted into the railing holder for the rear edge of the steps. Secure the rods in the top hole with the grub screws (2).



Include the rail foot (F) under the first baluster of the step.

Fastening with a threaded pin (2).

PARTS

G

U

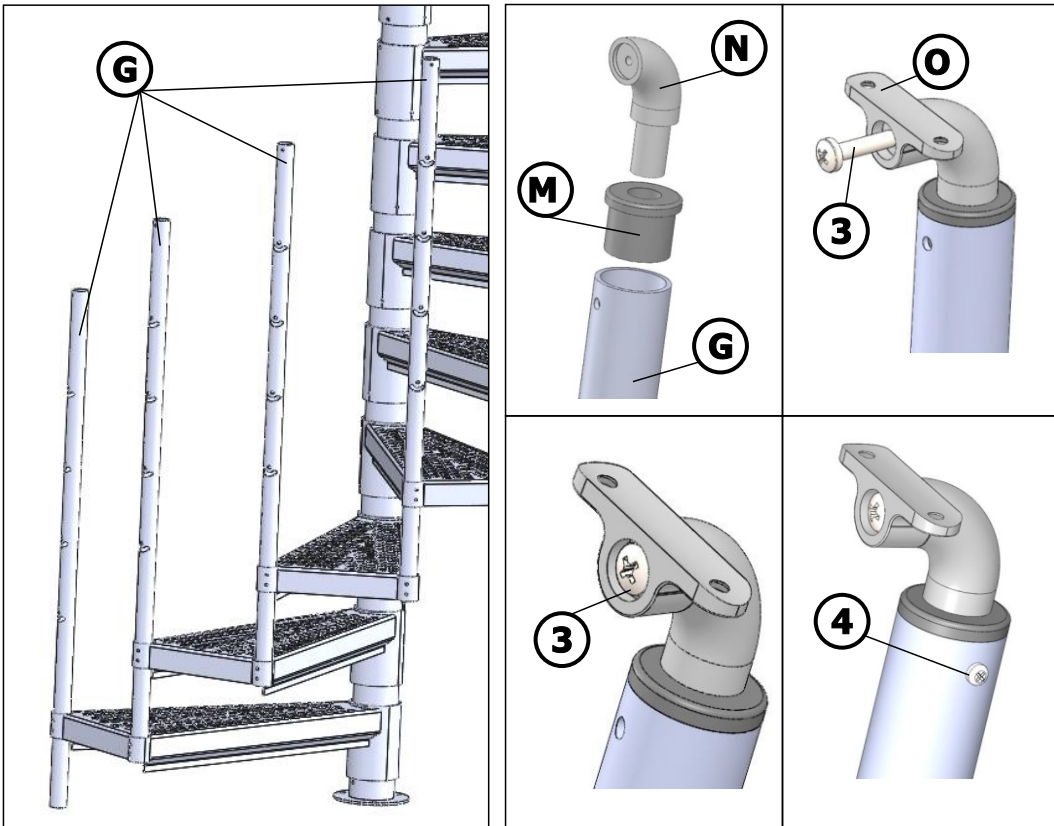
F

HARDWARE

2

TOOLS





PARTS

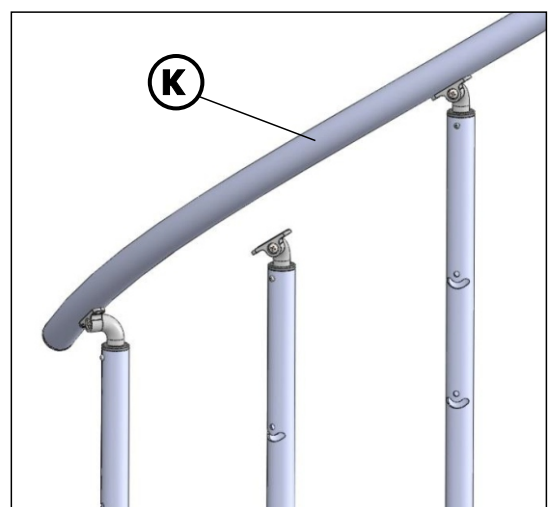
- G** **K**
- M**
- N**
- O**

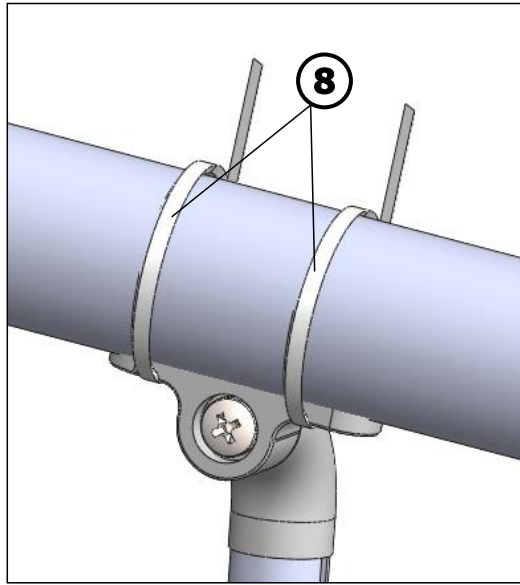
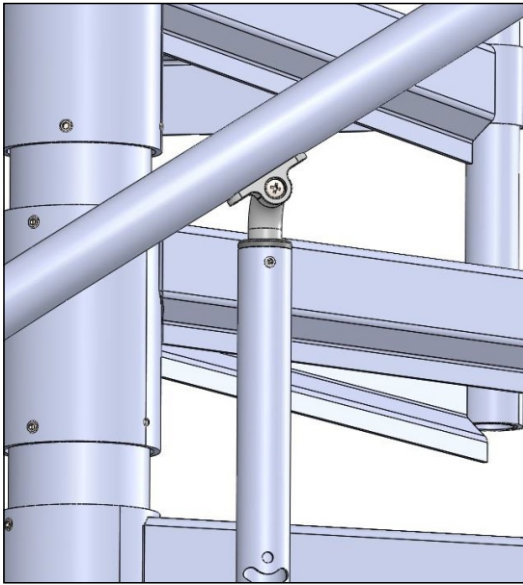
HARDWARE

- 3**
- 4**

Insert the adapter **(M)** and the handrail holders **(N,O)** into the railing rods **(G)** and screw the plastic holder to the rod using the pan head screw **(4)**.
 The 2-piece holder comes with the button head screw **(3)**.

TOOLS





PARTS

(K)

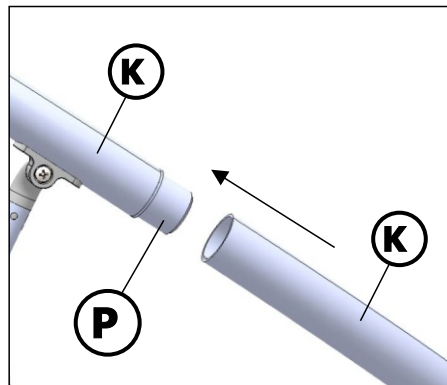
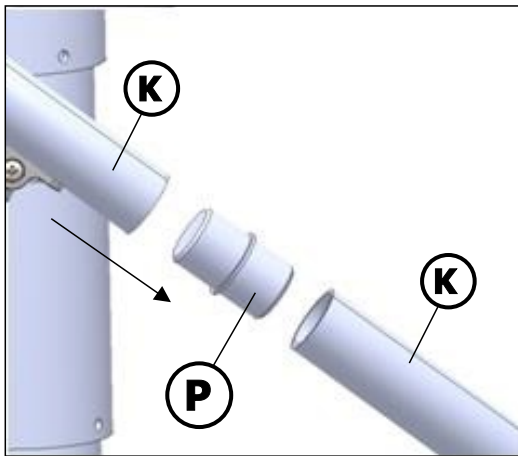
(P)

(S)

HARDWARE

(8)

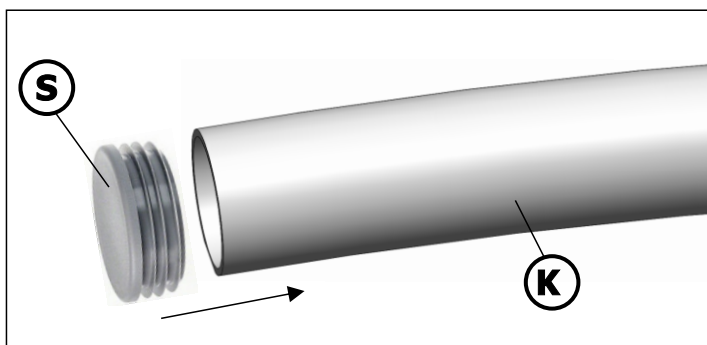
Now place the handrail pipe segments on the handrail holders, starting from the middle. Cable ties are an excellent tool for preliminary fastening of elements at least 14 cm in length. Determine the downward protrusion of the pipe at your own discretion.

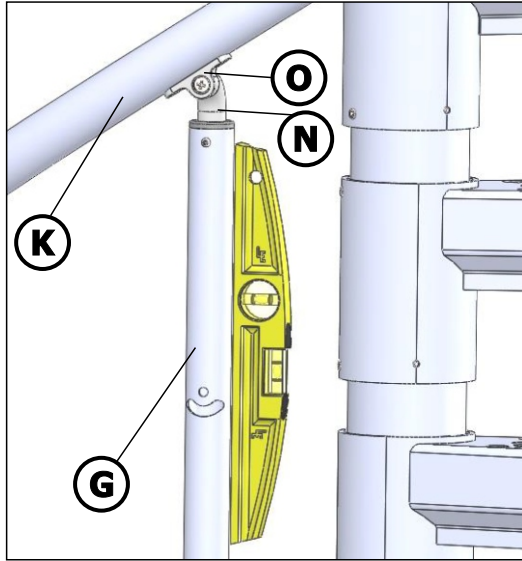


TOOLS

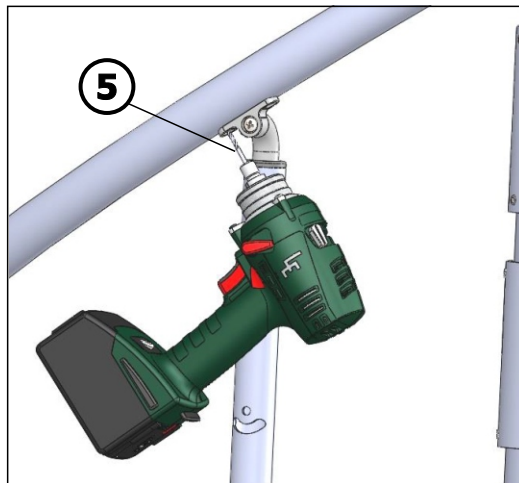


Insert the handrail connectors (P) between the tube segments as shown.

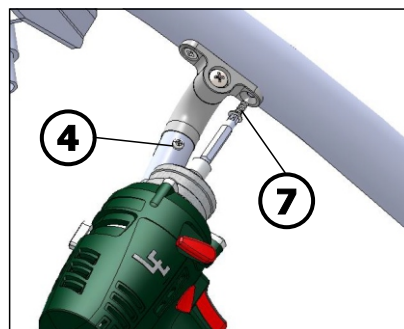




Once you have attached the tube segments to the railing rods, align the railing rods vertically and connect the handrail holder (**N,O**) to the handrail tube (**K**) using the countersunk screw (**7**).
Use the enclosed 4mm twist drill (**5**) for pre-drilling.



If all existing screw connections are in place, cut the cable ties.



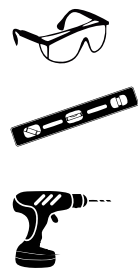
PARTS



HARDWARE



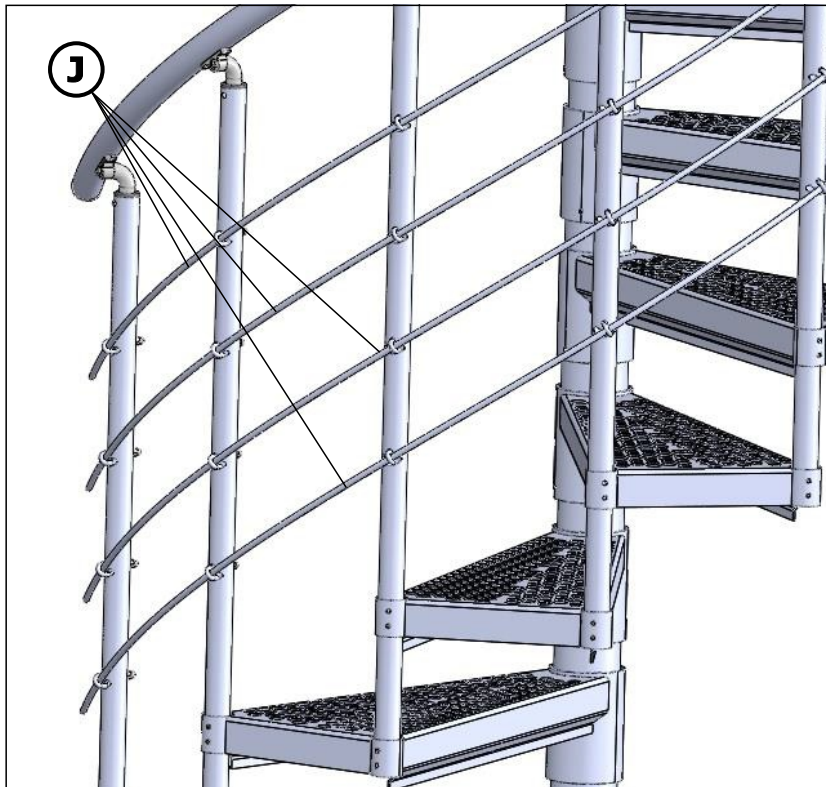
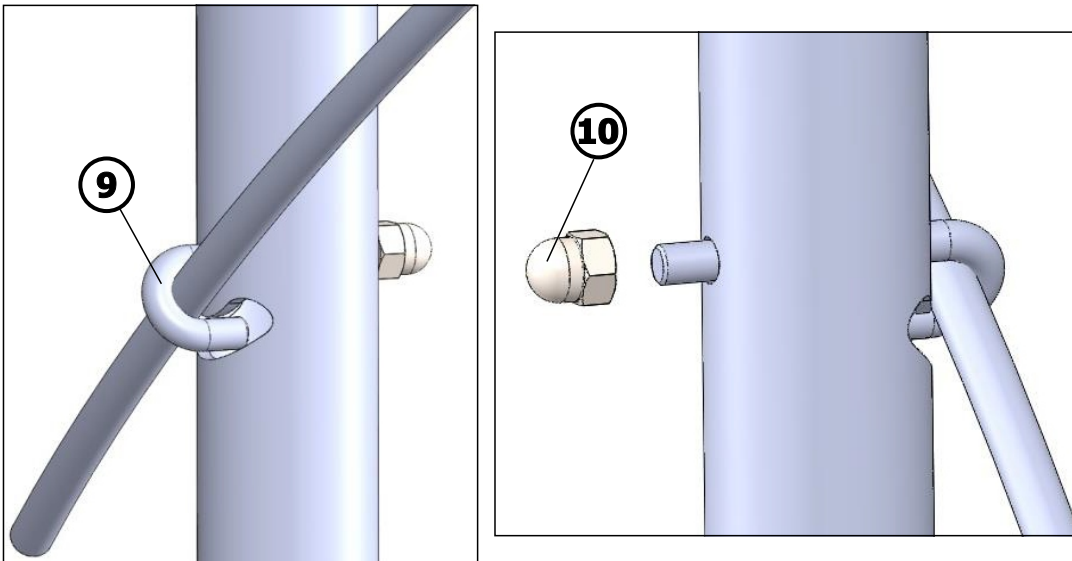
TOOLS



The alignment of the balusters and the attachment requires extremely careful work

If you have screwed the railing completely, you should screw the pipe segments to the connectors at the transition points. Pre-drill on both sides with a 4 mm twist drill (drill deep enough) and also screw in with the pan head screw **(4)**.

Now bring the entire railing to the correct height by gradually loosening the threaded pins of the railing brackets of the step. You should be guided by the flush termination of the front railing rod with the lower railing mount (front edge of the step). Then shorten any protruding railing rods.



PARTS

J

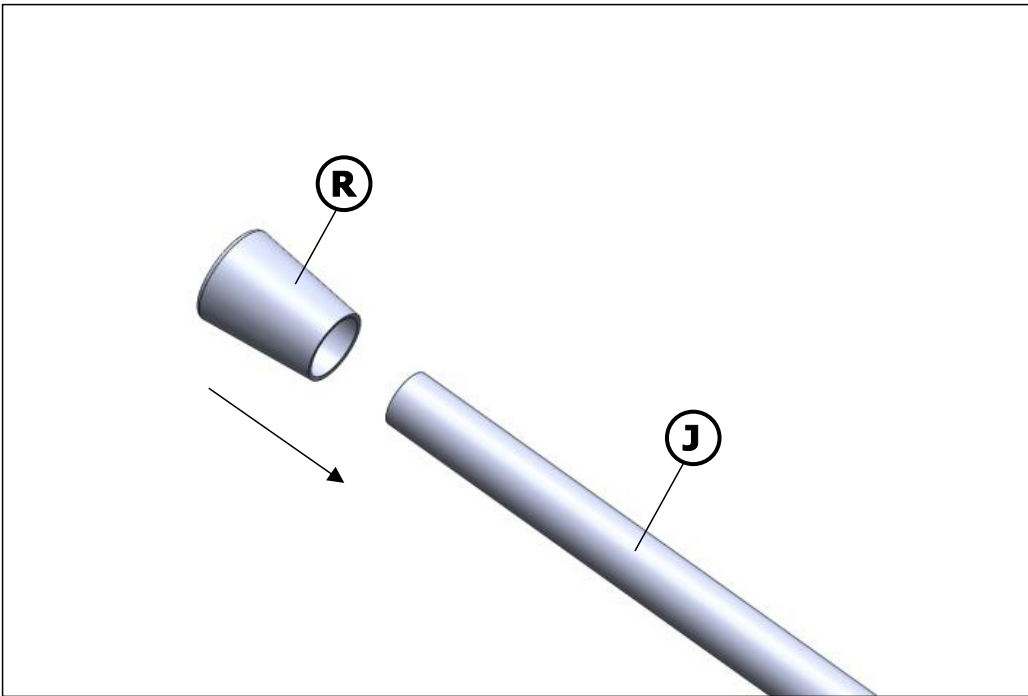
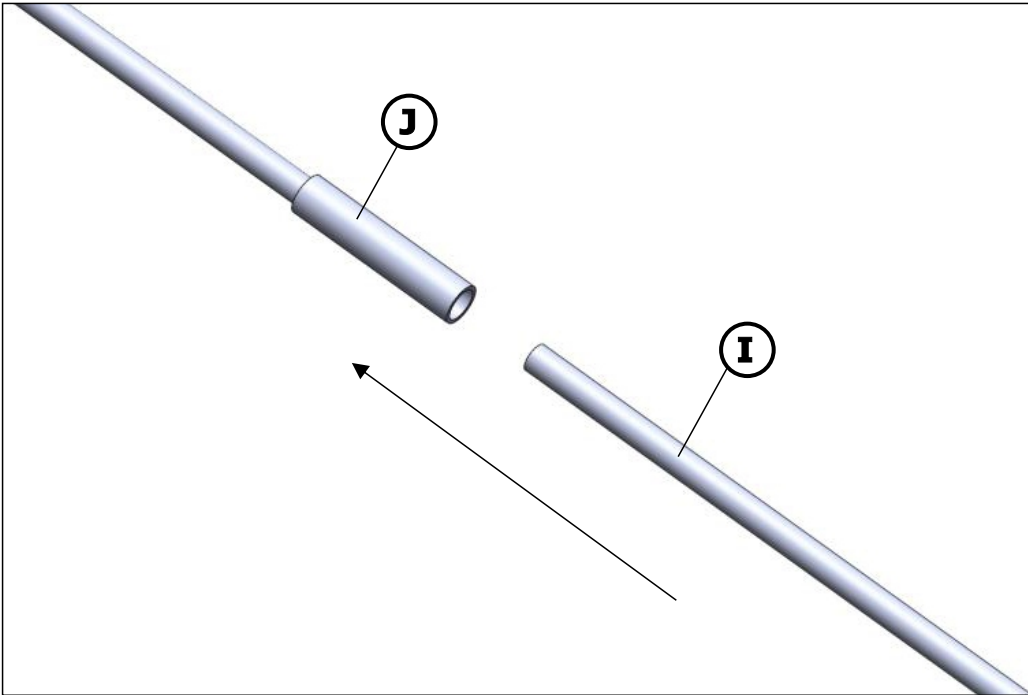
HARDWARE

9

10

TOOLS





PARTS

I

J

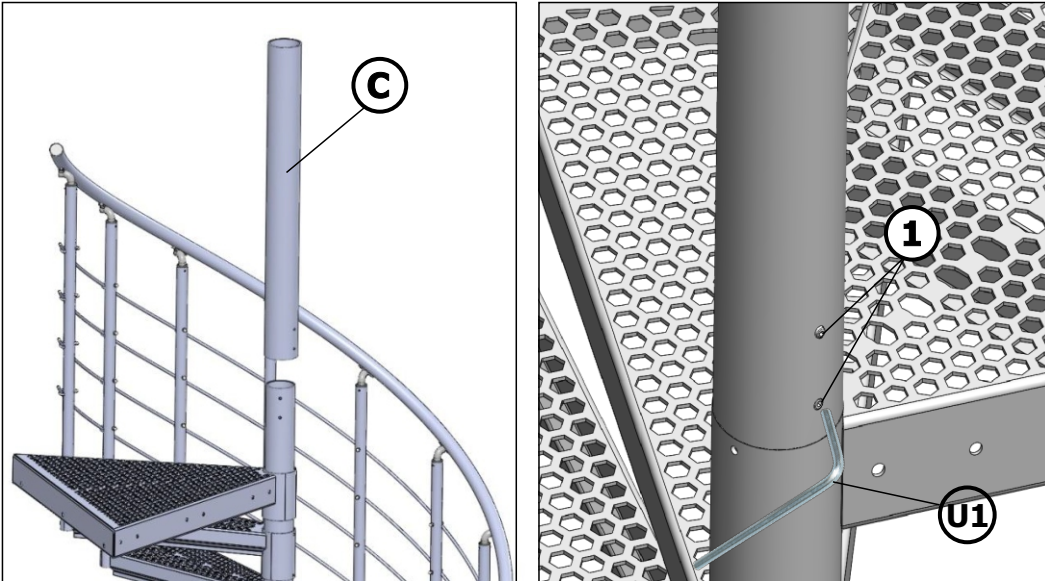
R

HARDWARE

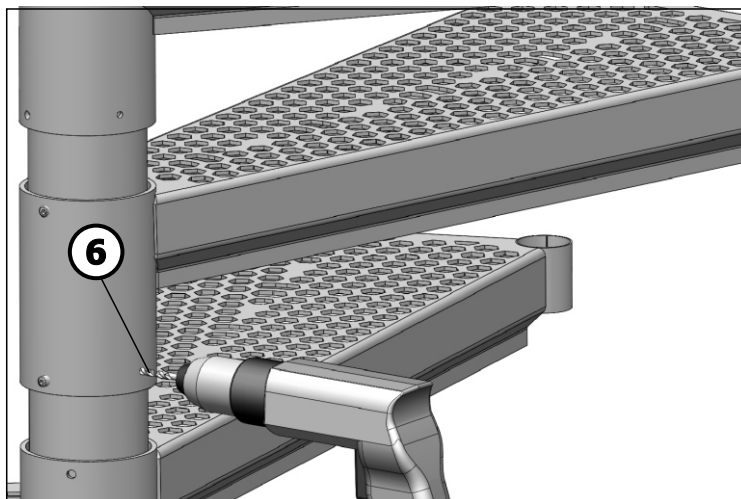
TOOLS



Mount the open connecting sleeve pointing downwards!!!
 So that no water accumulates!
 Secure the end caps of the railings with some silicone.



Now push the end tube onto the central stand tube and fasten the tube with the setscrews **(1)**.



The steps, the platform and the upper end tube - i.e. all telescopic tube connections - must be secured with the clamping sleeves **(11)**. Pre-drill with the enclosed 4.8 mm twist drill **(6)** and drive in the clamping sleeves **(11)**.

PARTS

C

U1

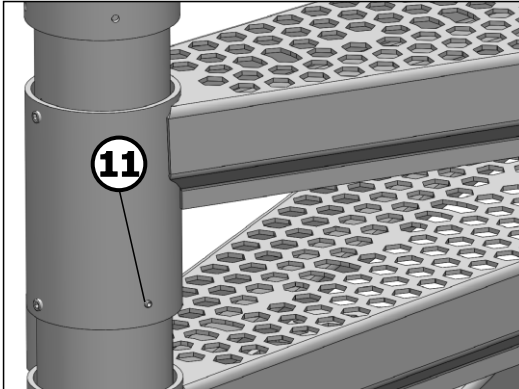
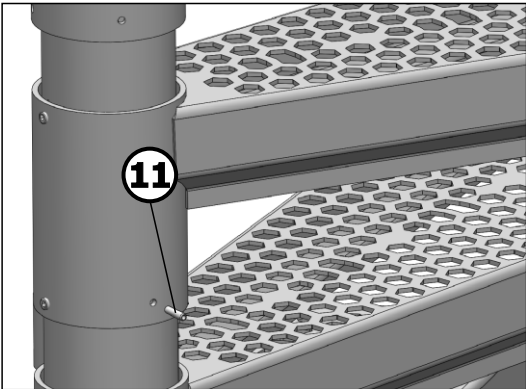
HARDWARE

1

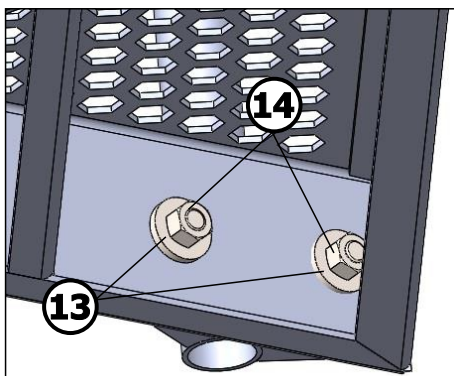
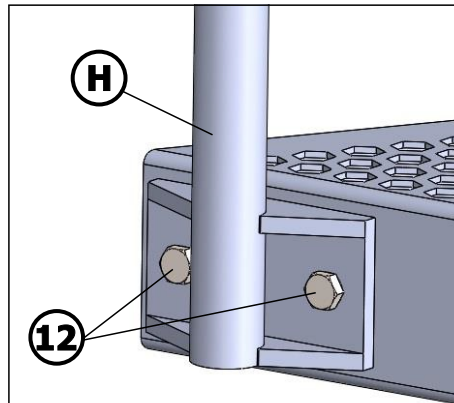
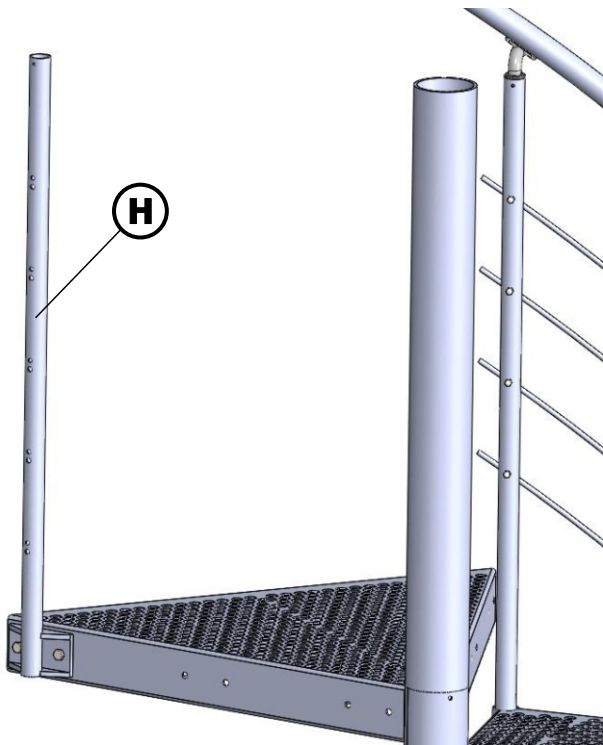
6

TOOLS





Now the railing rods are installed on the platform according to figures below.



PARTS

(H)

HARDWARE

(11)

(12)

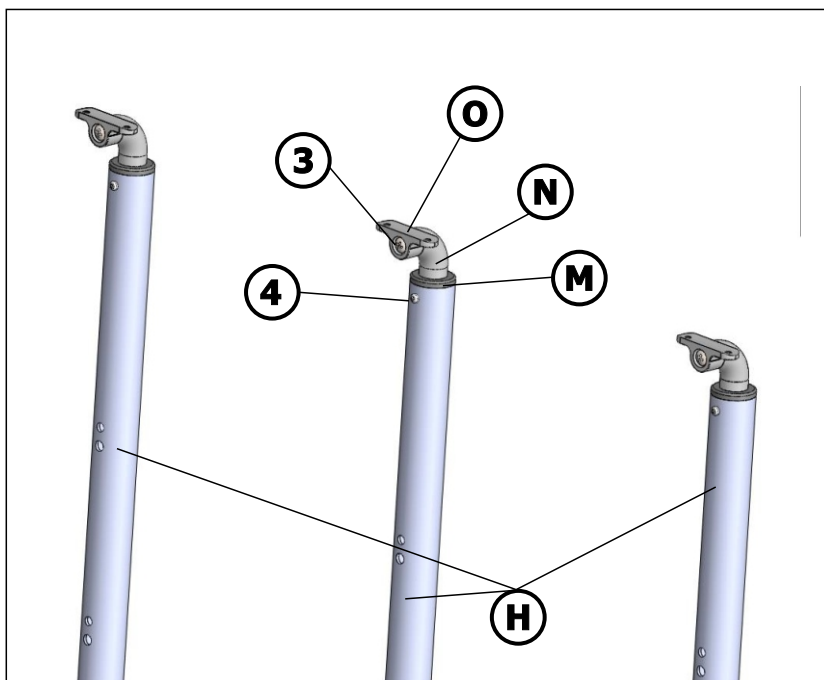
(13)

(14)

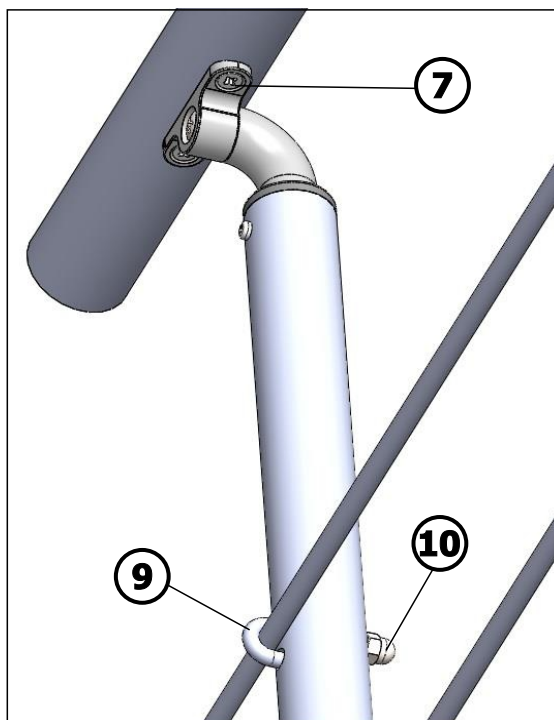
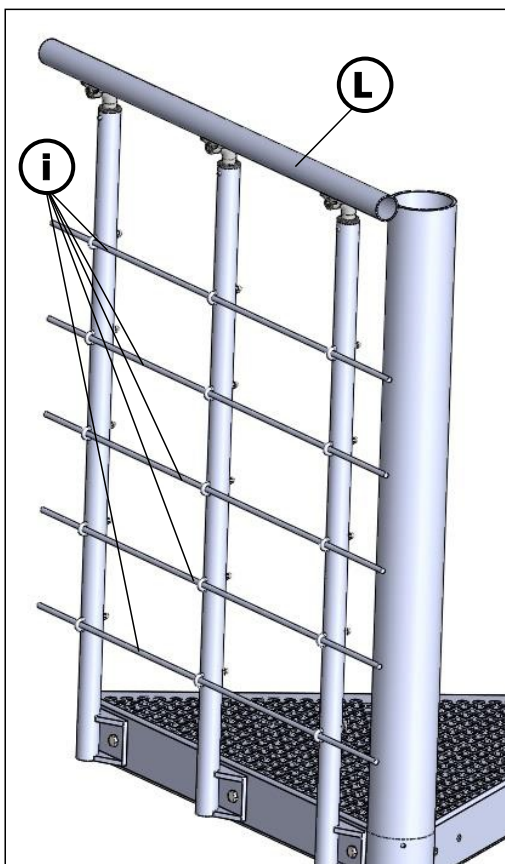
TOOLS









Now attach the platform handrail as shown in the illustrations below.



 The bends of the handrail brackets point outwards.








PARTS

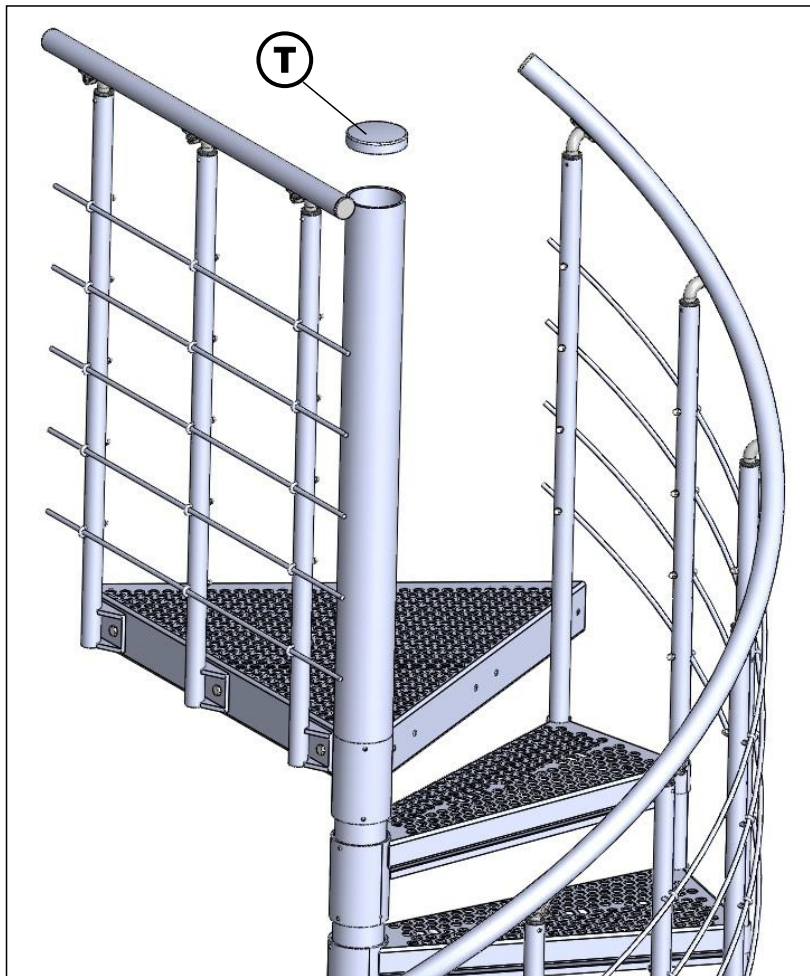
- 
- 
- 
- 
- 
- 

HARDWARE

- 
- 
- 
- 
- 

TOOLS

- 
- 
- 
- 
- 
- 



PARTS



HARDWARE

Now clamp the blank **(T)** on top of the end pipe.

Finally, please check all screw connections on these stairs and tighten the fasteners if necessary.

The points at which the clamping sleeves **(11)** were driven in or the threaded pins **(1, 2)** were screwed in must be sprayed with the zinc spray **(15)** at points. Use a sheet of paper with a small hole to serve as a template.

You can easily remove unsightly zinc residues in the fields of the grating with a hand brush.

IMPORTANT NOTICE FOR ADDITIONAL STAGES:

If the outside staircase is not on a balcony, but runs directly along a house wall, a connecting element is required as an accessory, which is to be mounted between the platform and the wall. The additional distance to the wall ensures that the handrail of the outside staircase does not hit the wall.

TOOLS



www.germansteelstairs.com
sales@germansteelstairs.com