

BRASS & ENAMEL

SUSPENSION SET INSTRUCTIONS

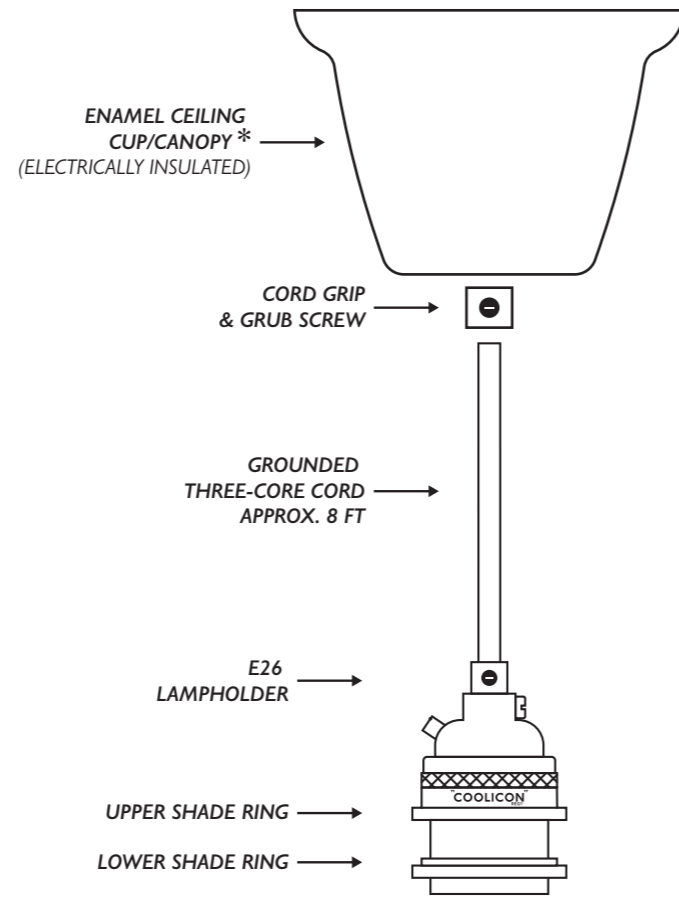
Model: SK03-E26-BRS

CONTENTS:

READ THE INFORMATION SECTION ON THE BACK OF THE LEAFLET BEFORE STARTING THE INSTALLATION

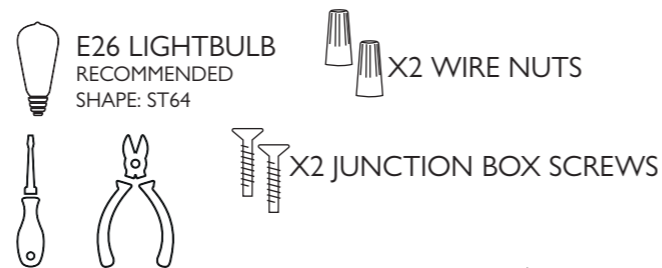
FIXING STRAP WITH GROUND SCREW *

THREADED TUBE WITH LOCK NUT & PLASTIC GROMMET



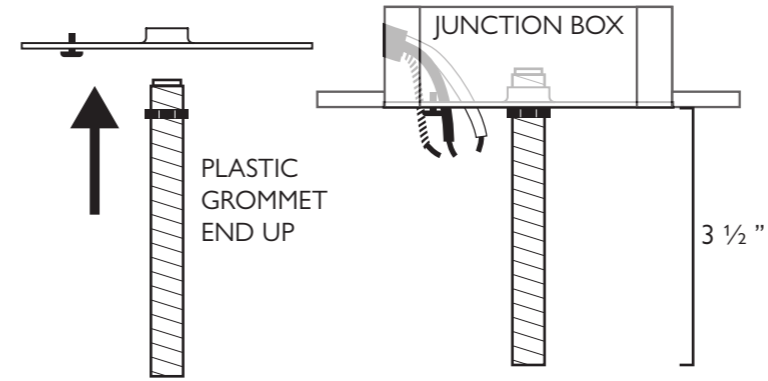
* CL02 MODEL PRE-ASSEMBLED FOR TRANSPORTATION

YOU WILL NEED



READ INSTRUCTIONS FULLY BEFORE STARTING THE ASSEMBLY

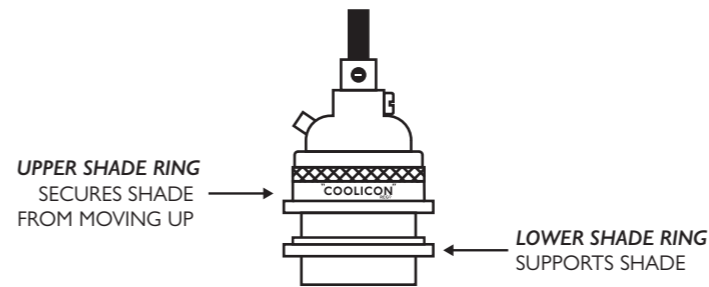
1 FIXING STRAP ASSEMBLY



TIGHTEN LOCK NUT AGAINST FIXING STRAP TO SECURE 3 1/2" TUBE POSITION
ATTACH FIXING STRAP TO JUNCTION BOX WITH JUNCTION BOX SCREWS

2 DROP LENGTH & CABLE ADJUSTMENT

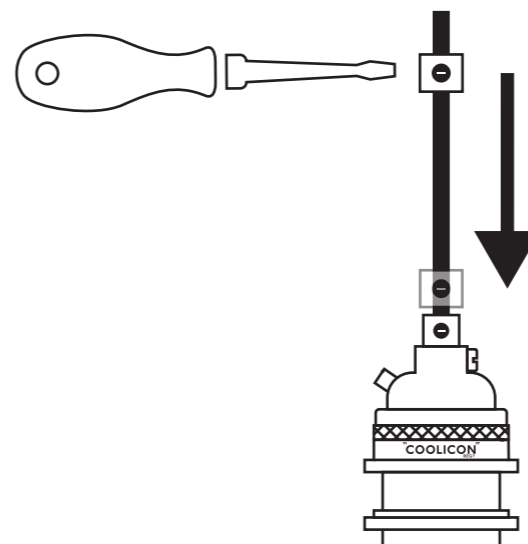
2.1 SHADE RINGS ADJUSTMENT:



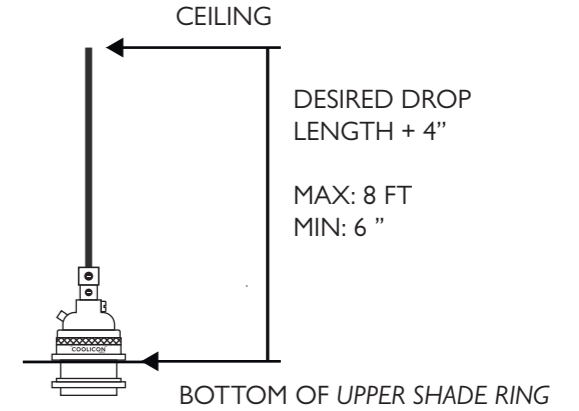
SCREW THE UPPER SHADE RING UP TO THE TOP POSITION

2.2 CORD GRIP ADJUSTMENT:

LOOSEN GRUB SCREW OF CORD GRIP
THREAD THE CORD GRIP ONTO CORD
THE CORD GRIP MUST BE FREEFLOWING AND LOOSE TO ENSURE FABRIC CORD **DOES NOT CATCH**

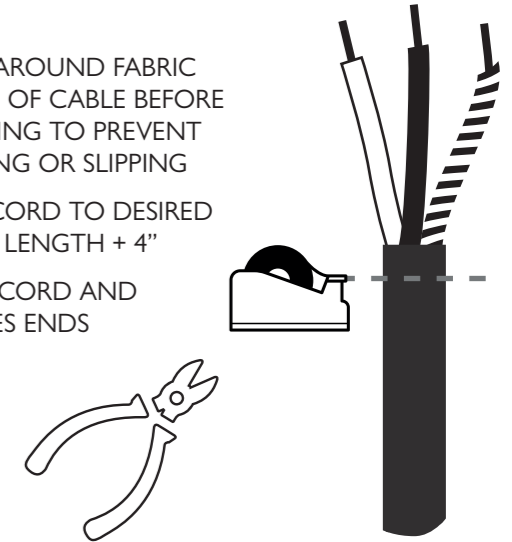


2.3 MEASURE AND MARK OUT FINAL DROP LENGTH, LEAVING AT LEAST 4" OF EXTRA CABLE FOR WORKING LENGTH TO CONNECT THE CABLE TO MAIN SUPPLY IN JUNCTION BOX



2.4 TAPE AROUND FABRIC BRAID OF CABLE BEFORE CUTTING TO PREVENT FRAYING OR SLIPPING

CUT CORD TO DESIRED DROP LENGTH + 4"
STRIP CORD AND CABLES ENDS

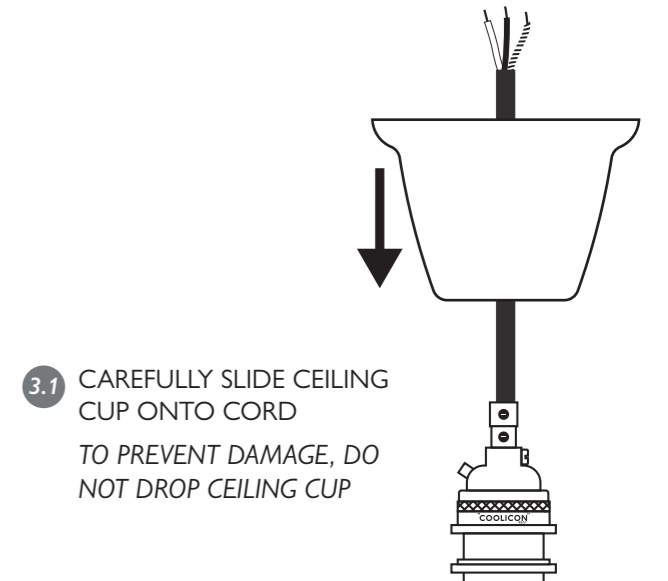


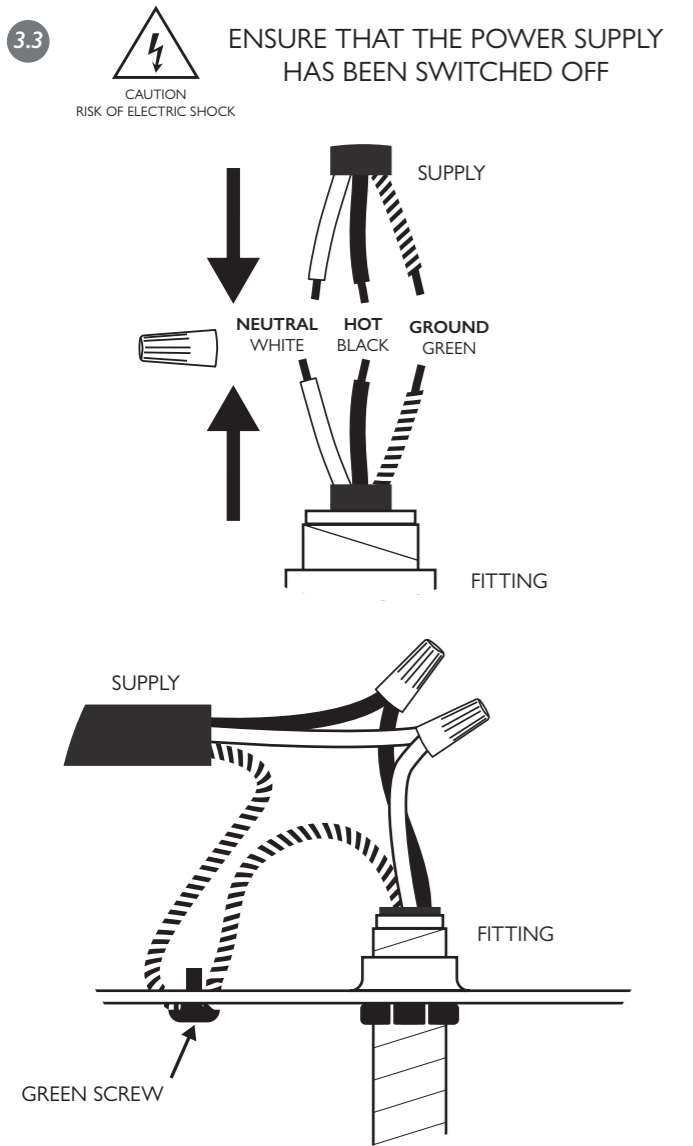
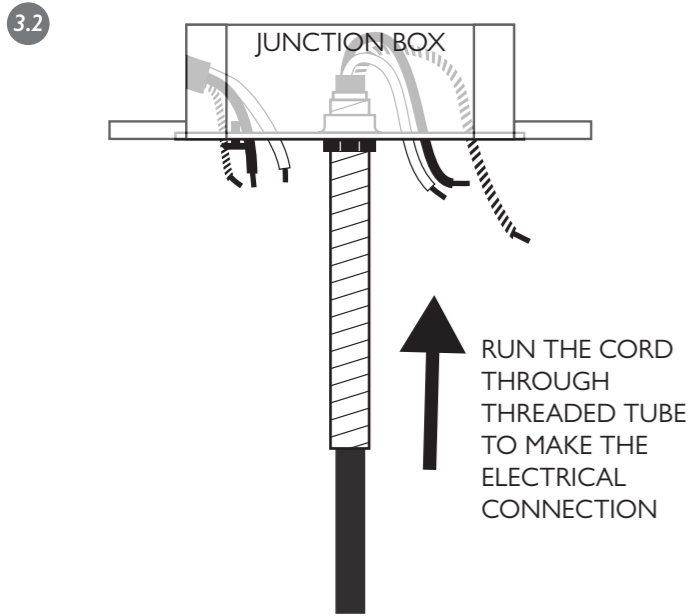
3 CEILING CONNECTIONS

ENSURE THAT THE POWER SUPPLY HAS BEEN SWITCHED OFF

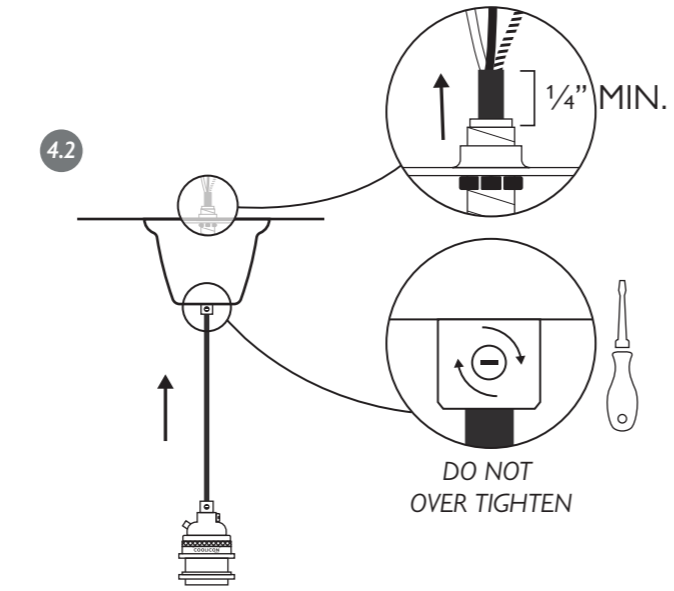
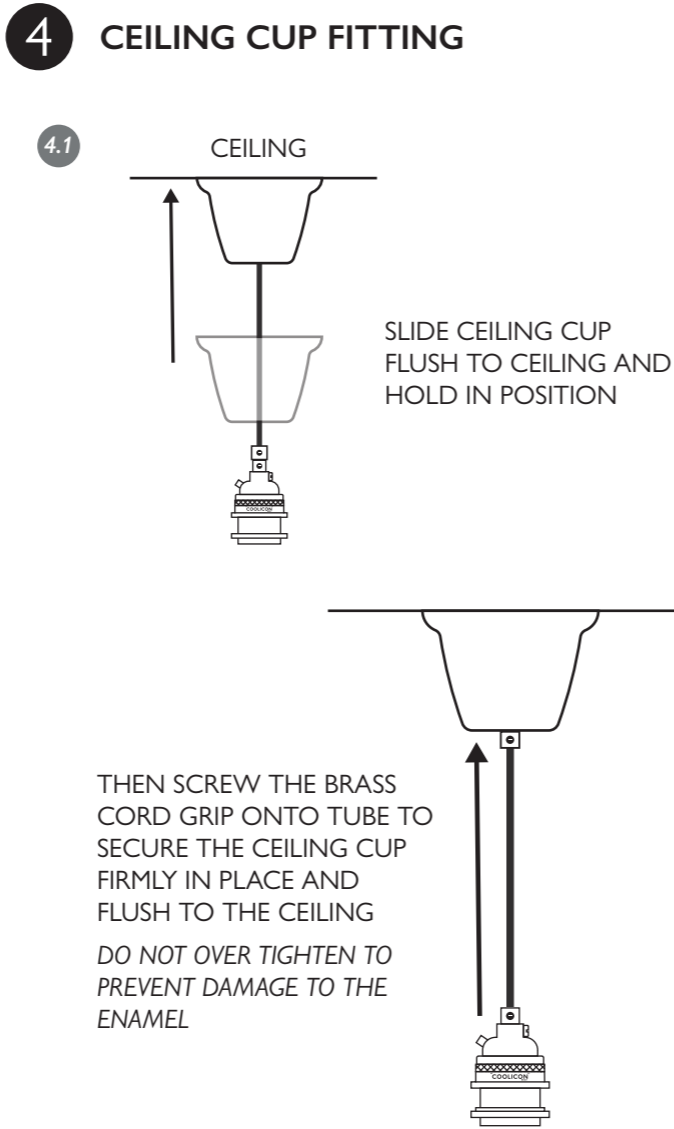


THIS PRODUCT IS FITTED WITH A PROTECTIVE GROUND AND **MUST** BE CONNECTED TO GROUND

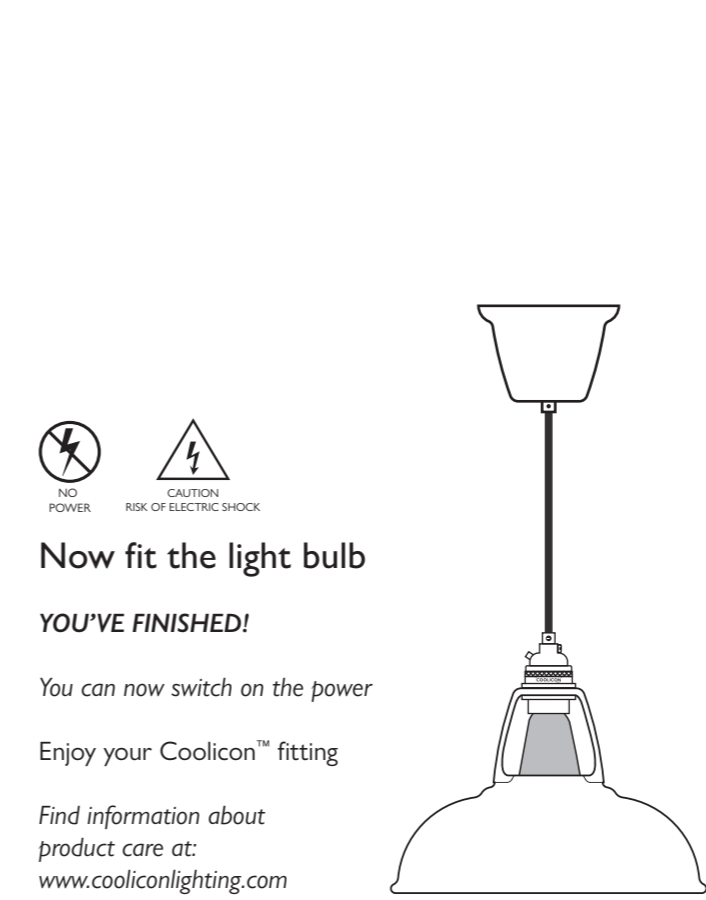
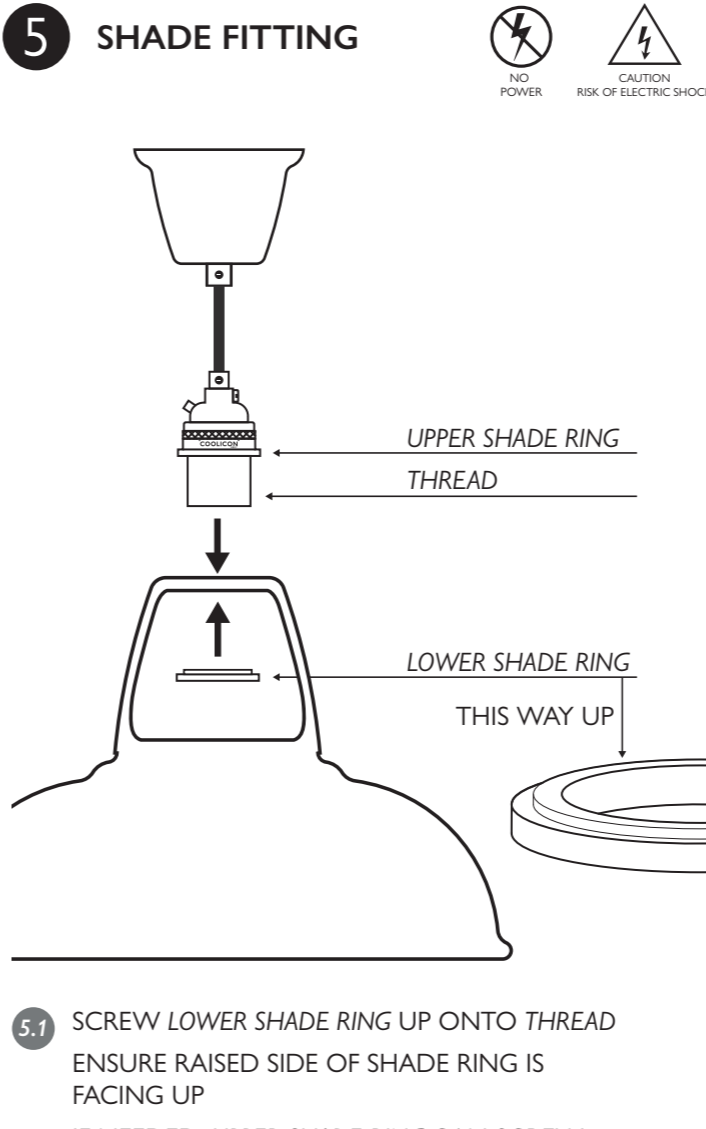




CONNECT **NEUTRAL CABLES** TOGETHER WITH WIRE NUTS
 CONNECT **HOT CABLES** TOGETHER WITH WIRE NUTS
 CONNECT **GROUND CABLES** TOGETHER USING GREEN SCREW ON FIXING STRAP

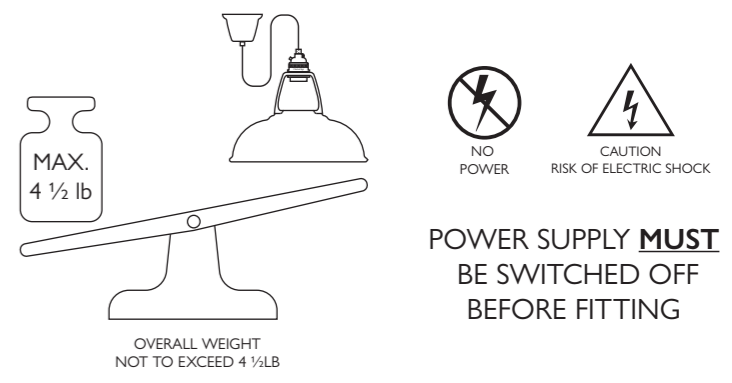


PUSH CORD UP BY AT LEAST 1/4 INCH TO REMOVE STRAIN FROM THE ELECTRICAL CONNECTION
 TIGHTEN THE CORD GRIP GRUB SCREW TO FIRMLY SECURE CORD IN PLACE
 CARE SHOULD BE TAKEN NOT TO DAMAGE THE CORD



INFORMATION:

THE ASSEMBLY **MUST** BE IN LINE WITH APPLICABLE REGULATIONS, BUILDING CODES AND ELECTRICAL CODES



DAMAGE:
 If any electrical component of this luminaire is damaged, it shall be exclusively replaced by the manufacturer, an appointed service agent or a similar qualified person to avoid a hazard.
 Should the lamp holder be damaged in any way the fitting should be removed from service immediately by a qualified person to avoid a hazard.

THIS PRODUCT MUST BE CONNECTED TO GROUND. THIS PRODUCT IS FITTED WITH A PROTECTIVE GROUND.

COMPATIBLE WITH THE FOLLOWING LIGHTBULBS:

BASE	TYPE	MAX. WATTAGE
E26	CFL	18W
E26	ECO-HALOGEN	42W
E26	INCANDESCENT	60W
E26	LED	10W

120V AC - 60Hz
 Bulb Not Included
 Fitted with SVT HT 105 cord 3x18 AWG size
 Cord in conformity to the standards UL 62/1581 - CSA 22.2
 Lamp holder UL listed for use in the USA.
 UL Listing#: E227063

RoHS 2011/65/EU Cord, cord grips, lamp holder and Ceiling Cup conform to RoHS 2011/65/EU
 Coolicon Lighting Ltd.
 36 Dalmeny St. EH6 8RG, UK.
 www.cooliconlighting.com

© Copyright Coolicon Lighting Ltd. 2023, all rights reserved.
 The Coolicon word and Coolicon logo are trademarks and used under a licence.
 Print Version 1.0