

DETAIL A

DETAIL B

DETAIL C

TT-US-825
REAR QUICK DISCONNECT
2" BACKING PLATE
FOR J-PLATE

TT-US-820
7 GAUGE QUICK DISCONNECT J-PLATE

CURTAIN SPECIFY :
LENGTH, HEIGHT, COLOR & BUCKLE SPACING



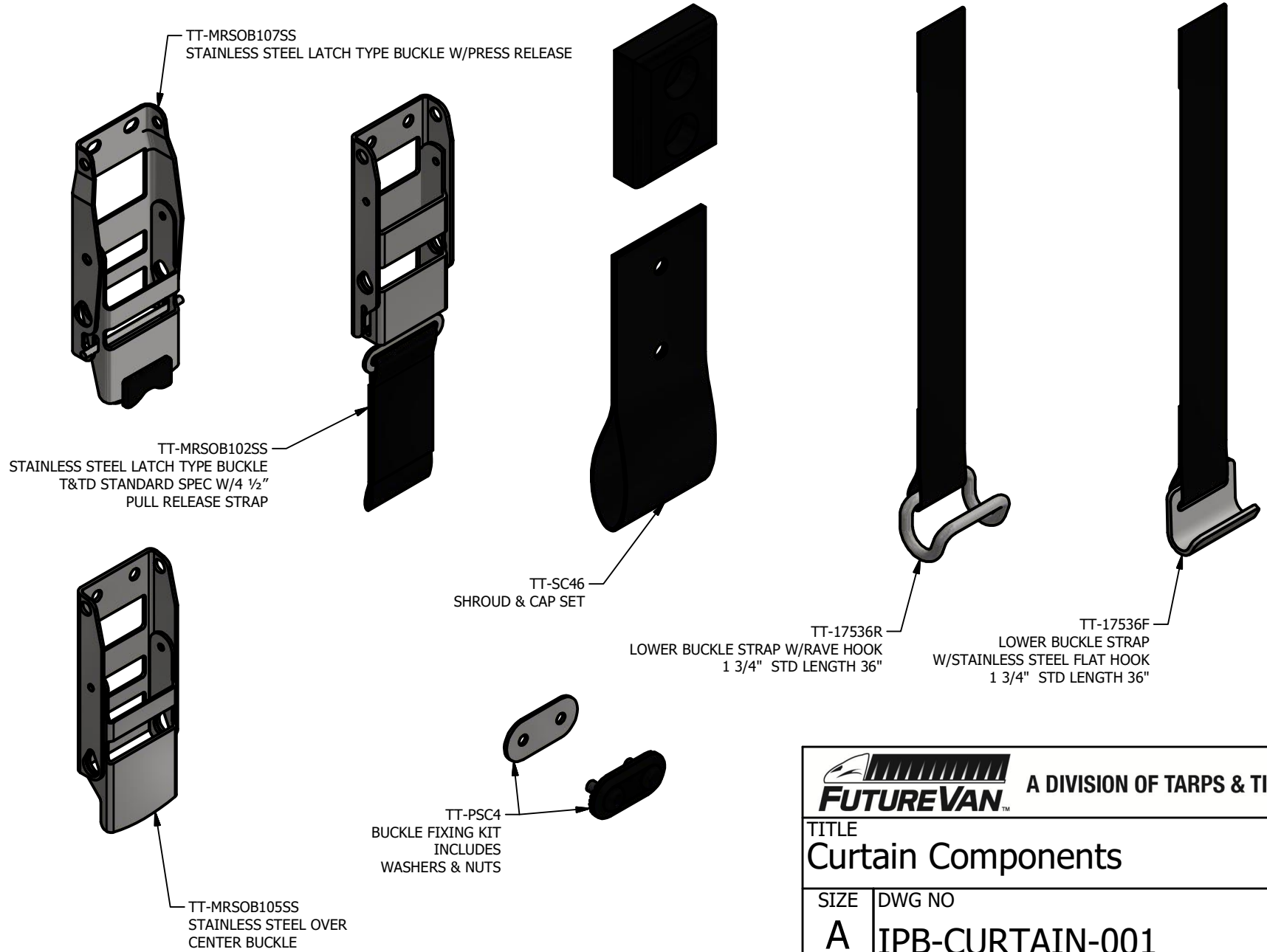
A DIVISION OF TARPS & TIE-DOWNS


TITLE
Curtain Components

SIZE	DWG NO	REV
A	IPB-CURTAIN-001	0

SCALE	0.03 : 1	SHEET 1 OF 4
-------	----------	--------------

DETAIL A



 FUTUREVAN A DIVISION OF TARPS & TIE-DOWNS		
TITLE Curtain Components		
SIZE A	DWG NO IPB-CURTAIN-001	REV 0
SCALE 1 / 3	SHEET 2 OF 4	

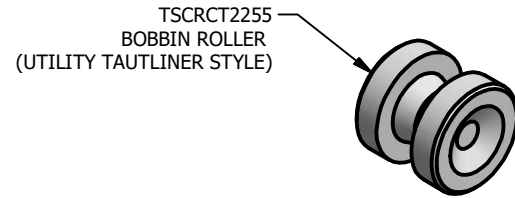
DETAIL B



TT-SPR0031
 FLAT WHEEL ROLLER STRAP DESIGN w/flat wheels
 1 1/8" wide x 1 1/8" dia. Strap Sold separately



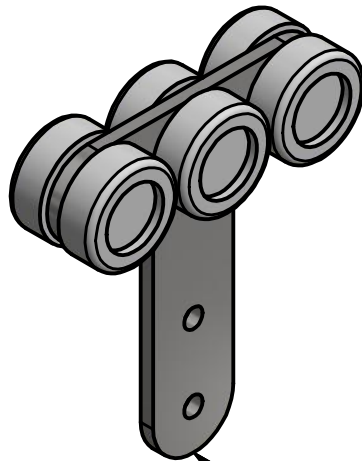
TT-SPR0931
 TAPERED ROLLER - STRAP DESIGN w/tapered wheels
 1 1/8" wide x 1 1/8" dia. Strap Sold separately



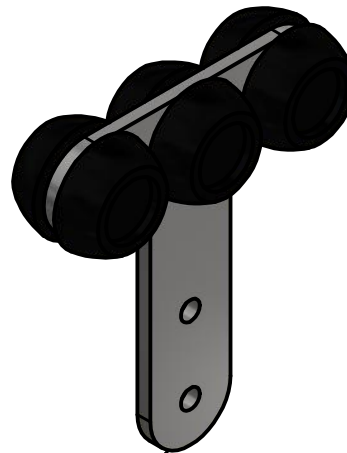
TSCRCT2255
 BOBBIN ROLLER
 (UTILITY TAUTLINER STYLE)



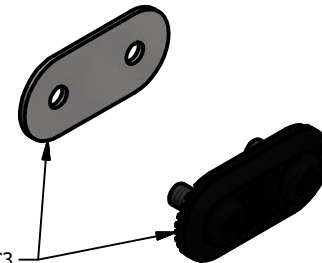
TT-MRSDR-288
 WAISTED D-RING
 (FOR BOBBIN ROLLER)



TT-SC530
 TRIPLE ROLLER W/FLAT WHEELS
 FOR DIVIDED RAILS



TT-SC529
 TRIPLE ROLLER W/TAPERED WHEELS



TT-PSC3
 ROLLER FIXING KIT
 INCLUDES WASHERS & NUTS



A DIVISION OF TARPS & TIE-DOWNS

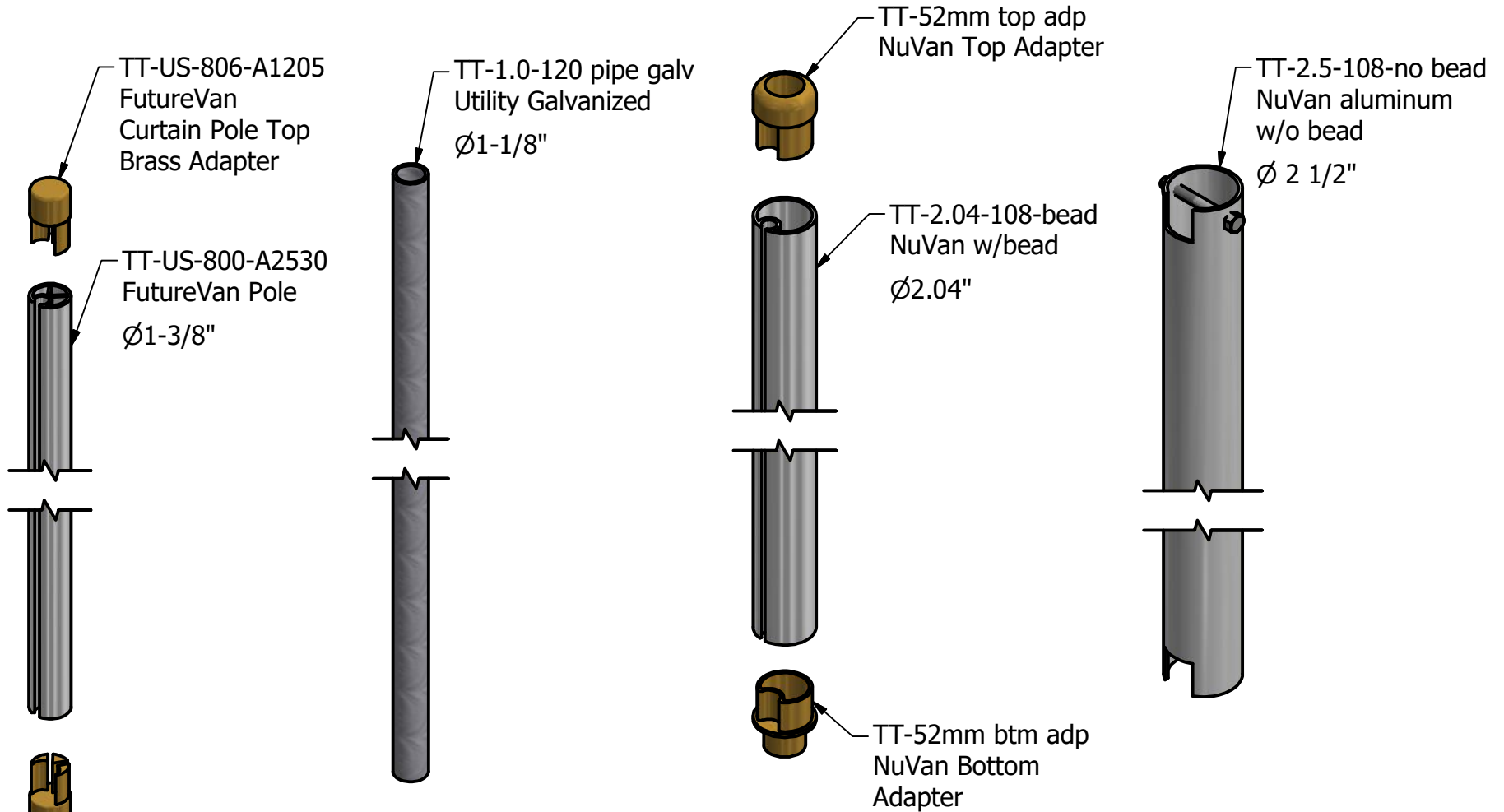
TITLE
Curtain Components


SIZE	DWG NO	REV
A	IPB-CURTAIN-001	0

SCALE 1 / 2 SHEET 3 OF 4

DETAIL C

SIDECURTAIN POLES



 A DIVISION OF TARPS & TIE-DOWNS		
TITLE Curtain Components		
SIZE	DWG NO	REV
A	IPB-CURTAIN-001	0
SCALE	1/5	SHEET 4 OF 4