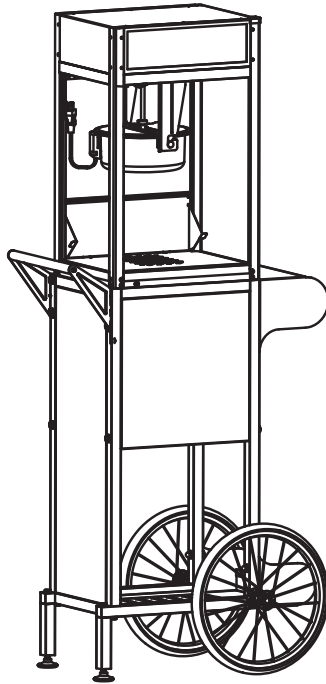


corn rush



**popcorn maker
instruction manual**

cornrush

vintage popcorn maker

This is an industrial-strength kettle popper. The same kettle used by sports stadiums, theaters, concession stands, convenience stores and mini-marts. Fresh popcorn for in just minutes. A professional popcorn scoop and bags are included.

We use only the finest grade material and workmanship when manufacturing our products. If for any reason our product doesn't live up to these standards described, please write us at service@cornrush.com.

This instruction manual covers the following poppers.

8oz vintage popcorn maker

8OZF-R Popper Red
8OZF-B Popper Black
8OZH-R Popper Red
8OZH-B Popper Black

110 volts - 850watts - 60 HZ

important safeguards and DO NOT's

READ ALL INSTRUCTIONS BEFORE USING YOUR POPCORN MACHINE.



DANGER! HOT!

- Please be extremely careful when dumping kettle after popping action stops, a heat resistant mitt is recommended. Our kettles can reach temperatures UP TO 475°F. **DO NOT** touch the hot surfaces. Always use handle to operate. Touching the kettle directly WILL RESULT IN BURNS.
- KEEP LOOSE CLOTHING and other flammables away from the hot kettle to avoid combustion, melting, or burns.
- KEEP PLASTIC BAGS or other containers not recommended for use away from hot kettles to avoid melting, combustion, or burns from melted plastic.
- **STEAM IS HOT!** It is NOT recommended that you open the lids of the kettle when in use or when it's hot. Escaping steam can BURN. Use only the kettle handle to tilt the kettle to extract any hot contents.
- **DO NOT** use this appliance for anything other than the indicated usage. Cornrush Popcorn Popper is intended for residential or personal use only. This appliance is NOT intended for commercial use.
- The popper must be properly assembled before using it. Follow instructions and recommendations carefully.
- ONLY connect to an electrical outlet with the correct electrical supply and proper grounding to reduce the risk of shock and fire. Do Not cut or remove the grounding pin. If you do not have a three-prong electric receptacle outlet available, have a certified electrician install a proper outlet.
- **DO NOT** use a wall receptacle that is not properly grounded. Consult a qualified electrician to make sure your wiring and circuit can handle the electrical load required to operate this appliance.
- Make sure ALL switches are in the "OFF" position after each use, disconnect the power cord from the electric outlet before cleaning.
- **DO NOT** immerse cord or plug into water or other liquids. DO NOT use extension cords or adapters to connect the unit to an electrical power source.
- **DO NOT** operate the appliance with damaged cord or plug, malfunction or with any mechanical damages.
- ALWAYS wear safety glasses when servicing this popper.
- Move the popper during operation. Allow hot parts to cool down before moving or handling.
- **DO NOT** add kernels into a dry pot (without oil). To avoid overheating, always have oil and kernels ready before turning on heat.
- **DO NOT** place the kettle into a dishwasher.
- **DO NOT** immerse the kettle into water.
- **DO NOT** place the unit on or near a gas or electric burner or near a heated oven.
- **DO NOT** use outdoors, in wet environments or near a swimming pool, pond or hot tub/Jacuzzi.
- **DO NOT** use accessories or attachments that are not provided or recommended by manufacturer.
- **DO NOT** use abrasive cleaning products or abrasive cloth or materials on any surface of this machine. Mild synthetic abrasive cloth may be used on the inside of pot. Absolutely NO Steel Wool.
- KEEP CHILDREN well away from poppers while in operation..
- NEVER force any parts or brackets into position.
- SAVE these instructions for future reference.

lesson 1:

how to make great popcorn

CAUTION: Pot, oil and popcorn are extremely hot. Escaping steam can cause severe scalding. Children are naturally attracted to the excitement of the popping event. Keep children well back out of harm's way.

1. We recommend using corn rush pre-measured portion packs for **PERFECT POPCORN EVERY TIME!** No need to preheat the kettle, just cut off the top of portion pack and empty the contents into the kettle.
(Note: Run warm water over the portion pack for a few minutes to loosen the oil portion.) If using other suitable ingredients, have pre-measured portions ready in advance. For best results use 3 tbsps. of coconut oil for every cup of popping corn.
2. Close the lid and door.
3. Switch the Stirrer to ON so that it starts stirring. Switch the kettle heater to ON. You will hear the sizzle in just a few minutes.
4. Switch the warming tray and spot light to ON.
5. Popcorn starts popping out through the lid after about 3 to 4 minutes.
6. When popping action stops (no more popping sound from the pot), switch the Stirrer and Pot Heater to the OFF position. Popping is complete. Rotate the handle bar in the pot and pour out all the remaining popcorn. Gently shake if necessary. Pot Heater switch must remain OFF if the unit is not popping. Only the spot light and the warming deck should be left ON, this will keep the popcorn warm, dry and tasty for a longer period of time.
8. Serve popcorn with the scoop provided.
Note: Do not add butter or other liquid flavoring in the main unit popcorn bin. Avoid a big mess! Remove popcorn to a suitable serve bowl or popcorn container before adding this type of flavoring.
9. Always remove plug from power supply before cleaning and if the unit is not being used for a period of time.

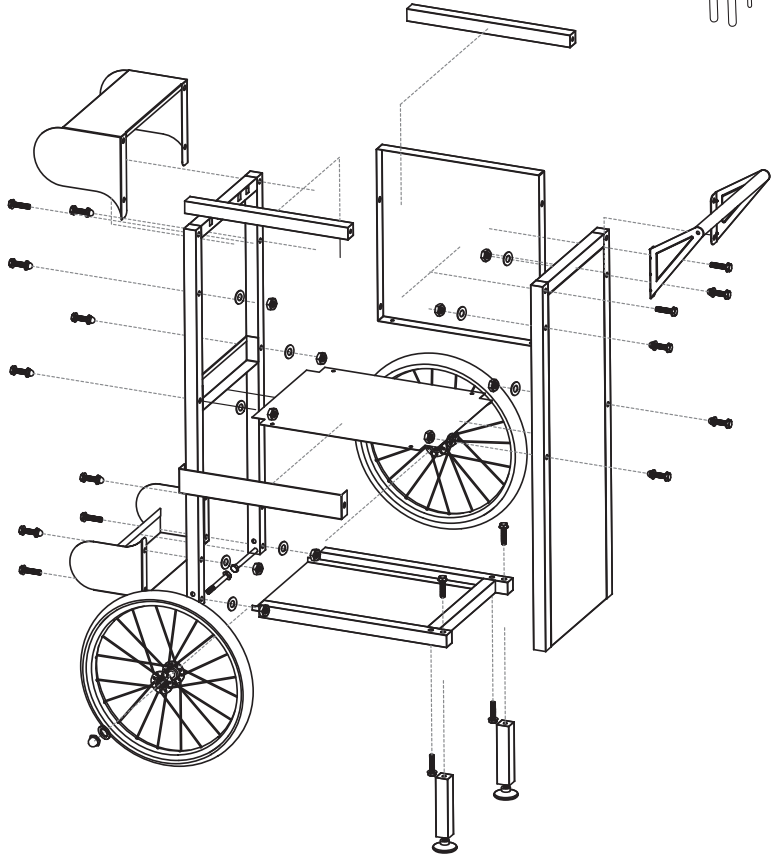
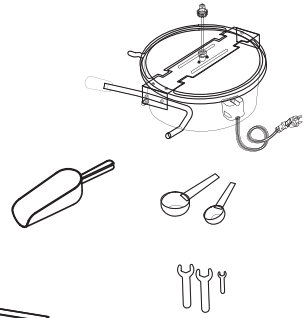
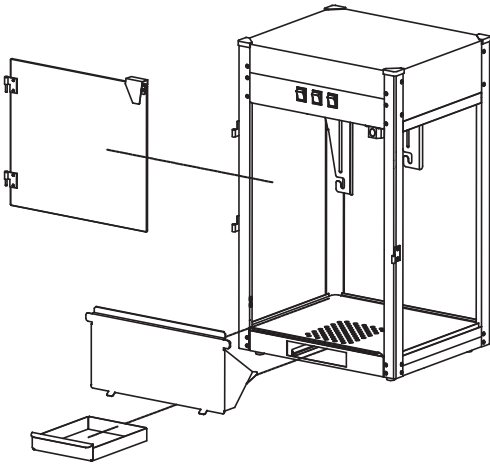
Important knowledge for unpacking









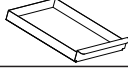
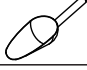


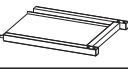






Unpacking the shipping crate that holds your new popper is the most exciting moment for a true popcorn aficionado like yourself. Corn rush has carefully engineered this shipping carton to ensure your popper arrives in pristine condition.

Upon removing anything from the carton, inspect the parts for damage. Photograph any damage that may have occurred to the outside of the carton. Photograph any damage to the popper.

For more information on corn rush's contact our customer service at : service@cornrush.com.

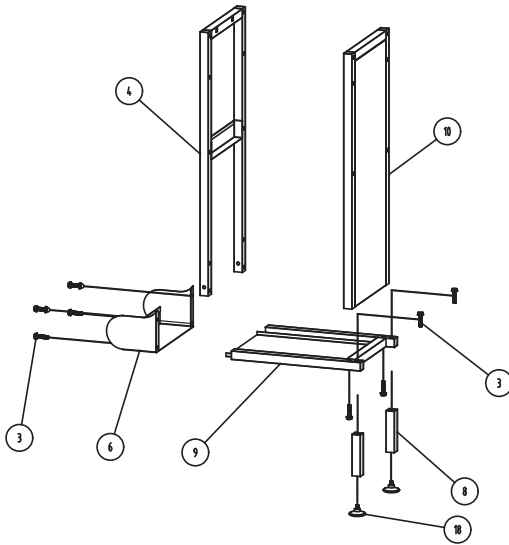
Compare the parts in the carton to the list on the following page. If you find that the carton is missing a part contact us at service@cornrush.com.



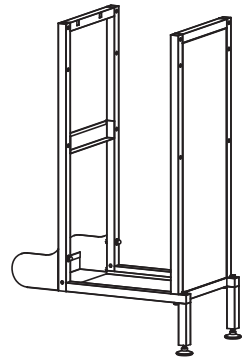
Part #	COMPONENTS INCLUDED	Qty	Part #	COMPONENTS INCLUDED	Qty
	Machine	1		On the platform	1
	Pan	1		handrail	1
	Glass door	1		Middle floor	1
	Middle baffle	1		Cross strut	1
	Slag drawer	1		Hardware kit	
	Popcorn spade	1		Hexagon bolt 8*35mm	20pcs
	Spoon sets	3		Hexagon bolt 8*95 mm	2pcs
	Cart			Spring pad M8	2pcs
	Lower platform	1		Cap nut M8	2pcs
	Bottom support plate	1		Pan head bolt 4*8 mm	4pcs
	Fixed frame left	1		Lock nut M4	4pcs
	Fixed frame right	1		Flat pad M8	32pcs
	Foot bar	2		Nut M8	10pcs
	wheel	2		Foot pad	2pcs
	Front baffle	1		Wrench 7#	1pcs
	Middle deck	1		Wrench 14 #	2pcs

assembly procedure

If you bought a popcorn machine with a Cart (80ZF-R/80ZF-B) , please follow the steps below to assemble the Cart.

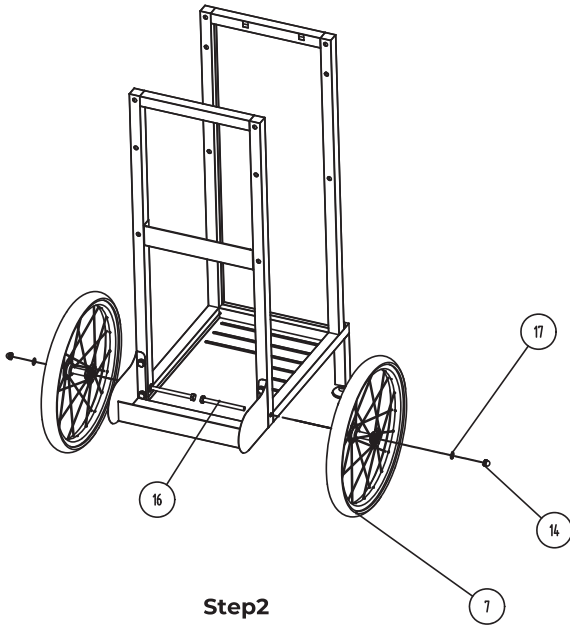


Step1

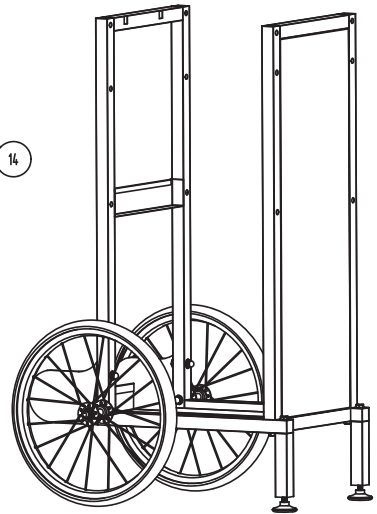


Step 1 After Assembly

The foot pad (18) is screwed into the column (8) and connected with the bottom support plate (9) with M8 screws (3), and the fixed frame right (10) is connected with the bottom support plate (9) with M8 screws (3) to fix the frame. The left (4) and lower platform (6) are connected to the bottom support plate (9) with M8 screws (3).

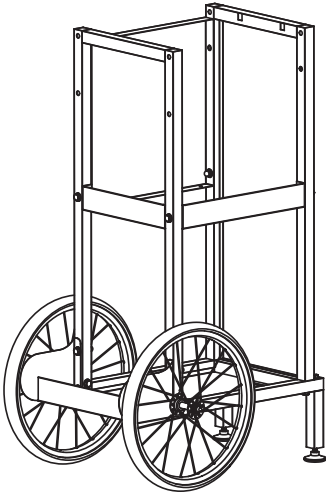


Step2

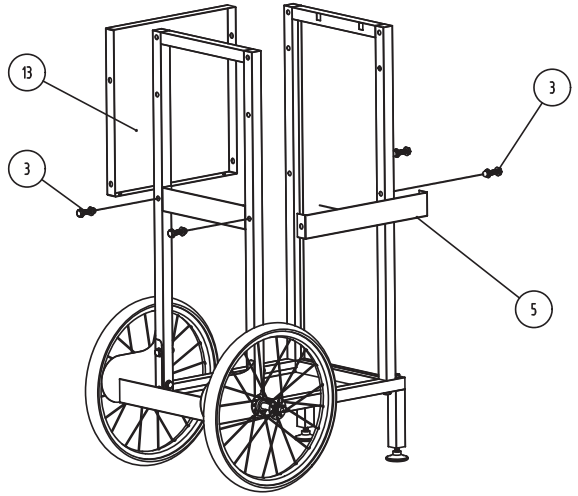


Step 2 After Assembly

The wheels (7) are connected to the main body with M8X95 screws (16), 08 spring washers (17) and dome nuts (14) and installed firmly

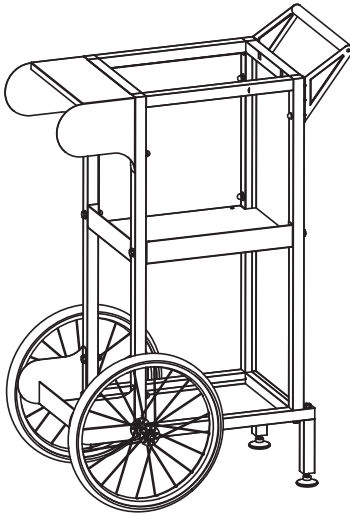


Step 3 After Assembly



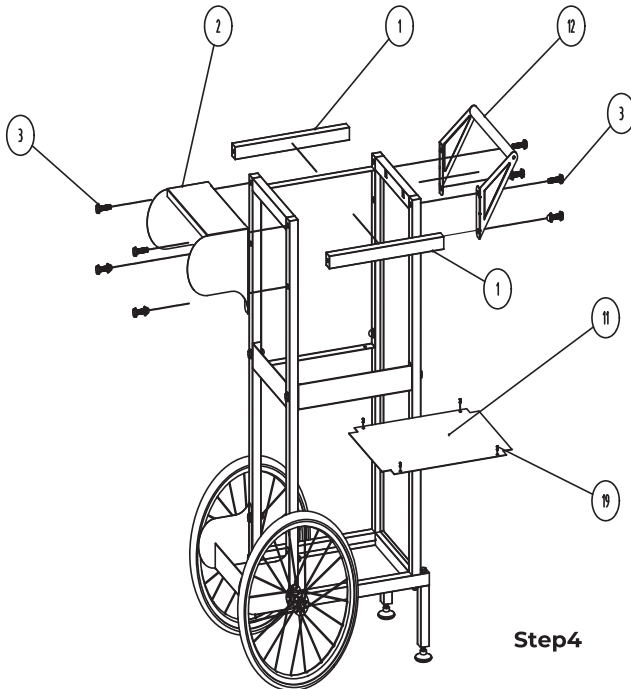
Step3

The middle horizontal plate (5) is connected with the main part with M8 screws (3) and installed firmly, and the front baffle (13) is connected with the main part with M8 screws(3) and installed firmly



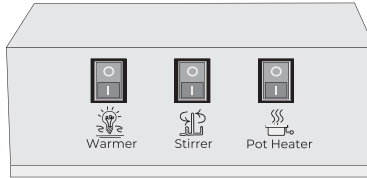
The armrest (12), the cross brace (1), the upper platform (2) are connected to the main body with M8 screws (3) and installed firmly, the middle floor (11) is placed in the middle of the main frame and connected with M4 screws and nuts (19). The installation is firm.

Step 4 After Assembly



success

Now that you have assembled your popper, you are ready to make popcorn the way it's made in theaters and concessions everywhere. Below are instructions on how to operate your popper. Read them carefully to make yourself a popping expert. When operated correctly your popper will give you many years of service and happiness.



Warmer

The Warmer switch operates the light in the back left corner of the popper unit and the warming element in the bottom tray. The warmer can be left on for extended periods of time. The two elements work together to keep the popcorn fresh and warm. Ready to Eat! Warning: Do not dump liquid toppings onto popped corn while in the popper. It will cause a huge mess and result in much clean-up time. Remove popcorn to a serving bowl before adding wet toppings.

Stirrer

The Stirrer switch operates the stirrer located inside the pot. Make sure it is free of obstruction and the axle gear and the motor gear are properly seated before turning the Stirrer switch on. If the pot is not cleaned at appropriate intervals or recommended popping oils are not used, the bottom of the pot will gum with burnt oil and debris. If the stirrer sounds the least bit strained, switch off immediately and solve the problem.

Pot Heater

The Pot Heater switch operates the heating element in the bottom of the pot. (Kettle) It is engineered to deliver the perfect temperature for popping Popcorn. The pot is extremely hot! Please be careful when in close proximity to it. When the pot is hot use heat resistant gloves. Only touch the safety knob on the pouring handle.

product warranty

Appliance 1 Year Limited Warranty

Corn Rush warrants this appliance from failures in the material and workmanship for one (1) year from the date of original purchase with proof of purchase, provided that the appliance is operated and maintained in conformity with the Instruction Manual. Any failed part of the appliance will be repaired or replaced without charge at the Company's discretion. This warranty applies to indoor household use only.

This warranty does not cover any damage, including discoloration, to any non-stick surface of the appliance. This warranty is null and void, as determined solely by the Company, if the appliance is damaged through accident, misuse, abuse, negligence, scratching, or if the appliance is altered in any way.

THIS WARRANTY IS IN LIEU OF ALL IMPLIED WARRANTIES, INCLUDING WARRANTIES OF MERCHANTABILITY, FITNESS FOR A PARTICULAR PURPOSE, PERFORMANCE, OR OTHERWISE, WHICH ARE HEREBY EXCLUDED. IN NO EVENT SHALL THE COMPANY BE LIABLE FOR ANY DAMAGES, WHETHER DIRECT, INDIRECT, INCIDENTAL, FORESEEABLE, CONSEQUENTIAL, OR SPECIAL ARISING OUT OF OR IN CONNECTION WITH THIS APPLIANCE.

If you think the appliance has failed or requires service within its warranty period, please email us at service@cornrush.com. A receipt proving the original purchase date will be required for all warranty claims, hand written receipts are not accepted. You may also be required to return the appliance for inspection and evaluation.

Not apply to:

- A. cosmetic damage, such as broken glass, scratches, nicks and dents;
- B. consumable

customer service

Customer service and product support are available at www.cornrush.com.

cornrush.com



cornrush.com

for a complete selection of concession supplies