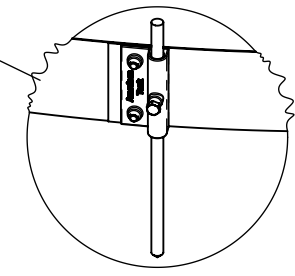
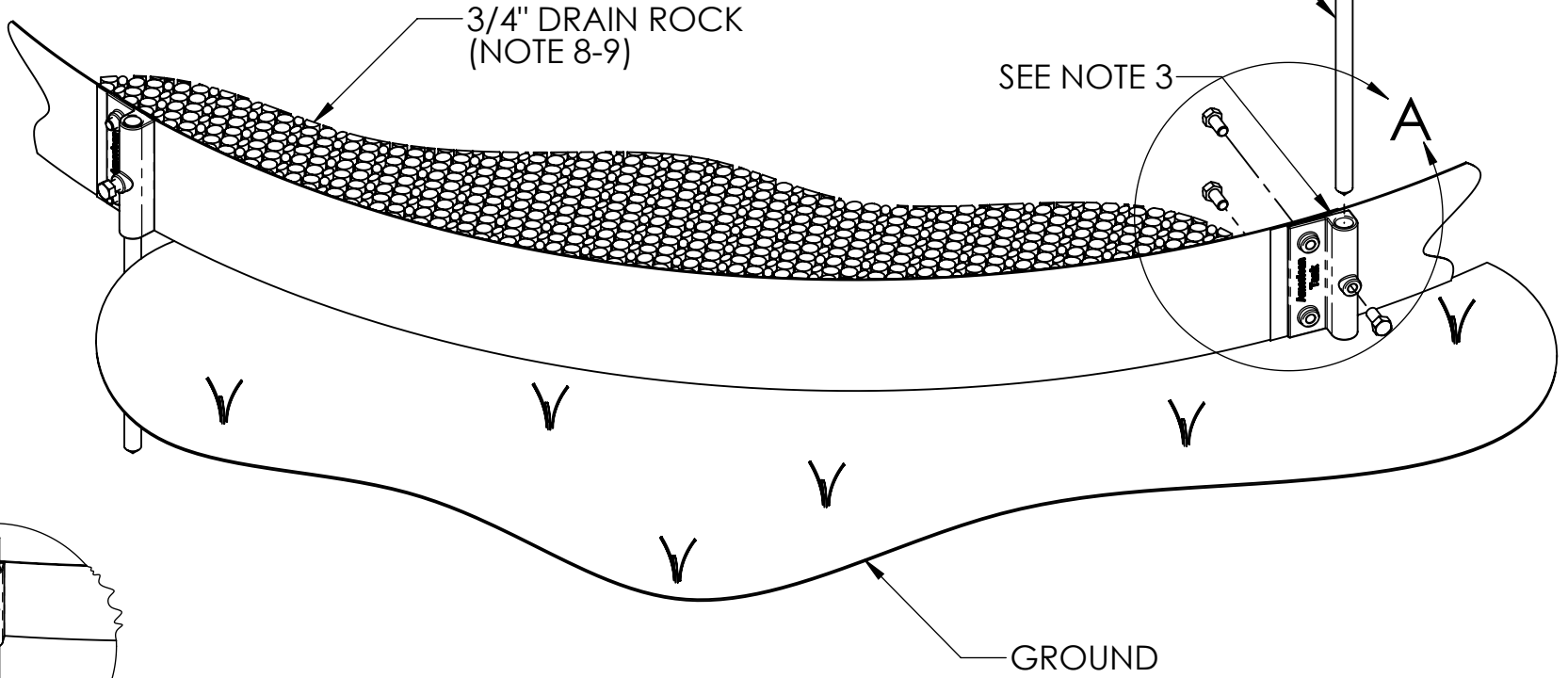
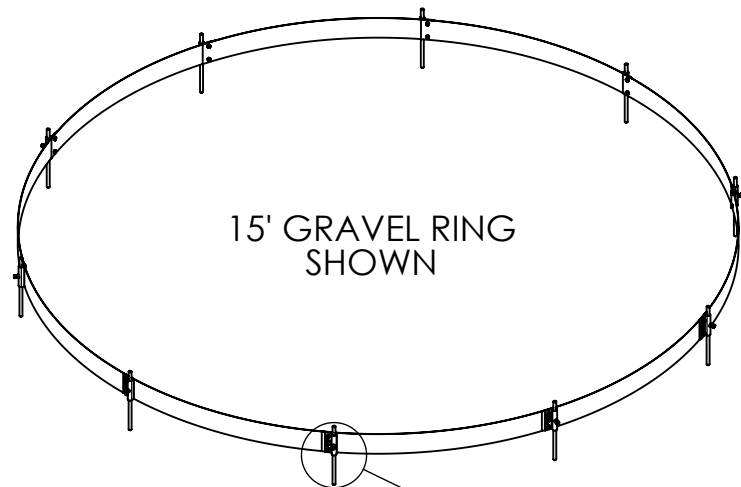
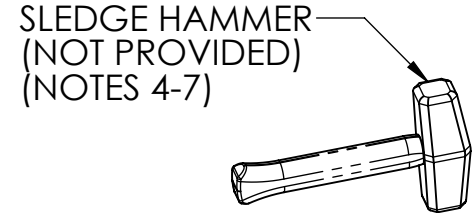
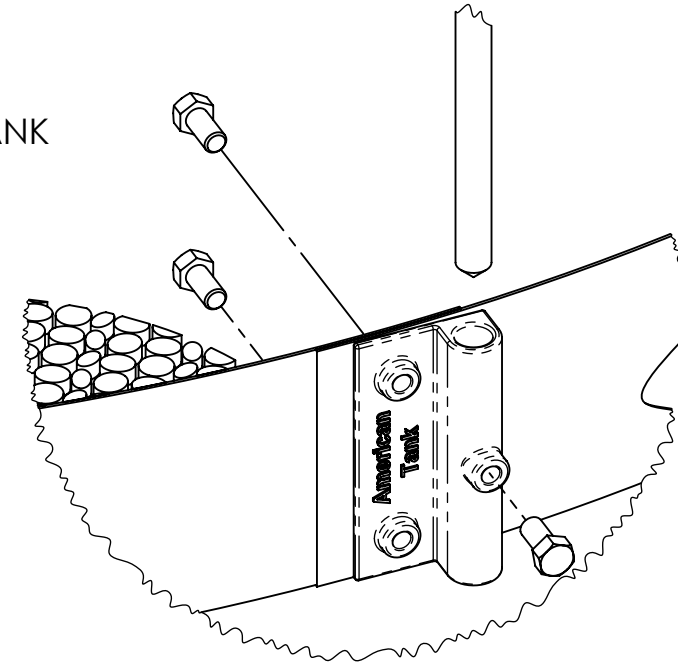
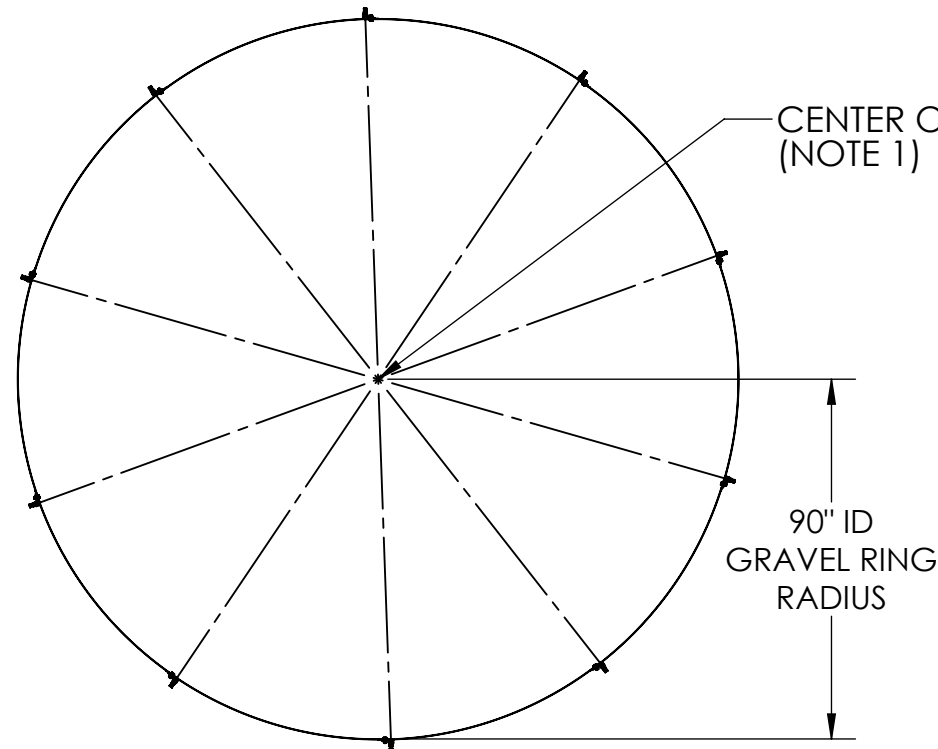


PART NO.	RING DIAMETER	NUMBER OF SECTIONS
0565-020	4.50	3
0565-025	6.00	4
0565-030	7.50	5
0565-032	9.00	6
0565-035	10.50	7
0565-040	12.00	8
0565-045	13.50	9
0565-047	15.00	10
0565-050	16.50	11
0565-055	18.00	12
0565-060	19.50	13
0565-062	21.00	14
0565-065	22.50	15
0565-070	24.00	16
0565-075	25.50	17
0565-077	27.00	18
0565-080	28.50	19
0565-085	30.00	20
0565-090	31.50	21
0565-092	33.00	22
0565-095	34.50	23
0565-100	36.00	24
0565-105	37.50	25
0565-110	39.00	26
0565-111	40.50	27
0565-115	42.00	28
0565-120	43.50	29
0565-125	45.00	30
0565-126	46.50	31
0565-130	48.00	32
0565-135	49.50	33
0565-140	51.00	34



**INSTALLATION NOTE:**

1. LOCATE CENTER OF TANK AND SCRIBE TANK RADIUS ON GROUND.
2. ASSEMBLE STAKES AND BANDS ON GROUND IN FLAT POSITION.
3. 'STAND' RING ON STAKES, FORM CIRCLE AND BOLT ENDS TOGETHER.
4. GRADUALLY POUND STAKES INTO GROUND WITH SLEDGE HAMMER
5. STRIVE TO MAINTAIN CIRCLE AND VERTICAL POSITION OF STAKES.
6. WORK STAKES INTO GROUND UNTIL GRAVEL RING CONTACTS GRADE.
7. RING MAY BE PARTIALLY BURIED TO ACHIEVE LEVEL CONDITION.
8. FILL RING FULL WITH GRAVEL. SHOVEL AND RACK FLAT.
9. 'SWEEP' ROCK FLAT AND LEVEL WITH 2X4 OR SIMILAR METHOD.



UNLESS OTHERWISE SPECIFIED DIMENSIONS ARE IN INCHES. TOLERANCES ARE: ANGULAR: BEND ±2° TWO PLACE DECIMAL ±.03 THREE PLACE DECIMAL ±.010 DO NOT SCALE DRAWING		PROPRIETARY AND CONFIDENTIAL THE INFORMATION CONTAINED IN THIS DRAWING IS THE SOLE PROPERTY OF AMERICAN TANK CO., INC. ANY REPRODUCTION IN PART OR AS A WHOLE WITHOUT THE WRITTEN PERMISSION OF AMERICAN TANK CO., INC. IS PROHIBITED.	
MATERIAL	3/4" DRAIN ROCK	NAME	DATE
FINISH		DRAWN	D.COTE 10/3/22
		CHECKED	
		APPROVED	

AMERICAN TANK CO., INC.		
TITLE: GRAVEL RING INSTALLATION CORRUGATED TANKS		
SIZE	DWG. NO.	REV
B	-	-
SCALE: 1:64	WEIGHT: -	SHEET 1 OF 1