

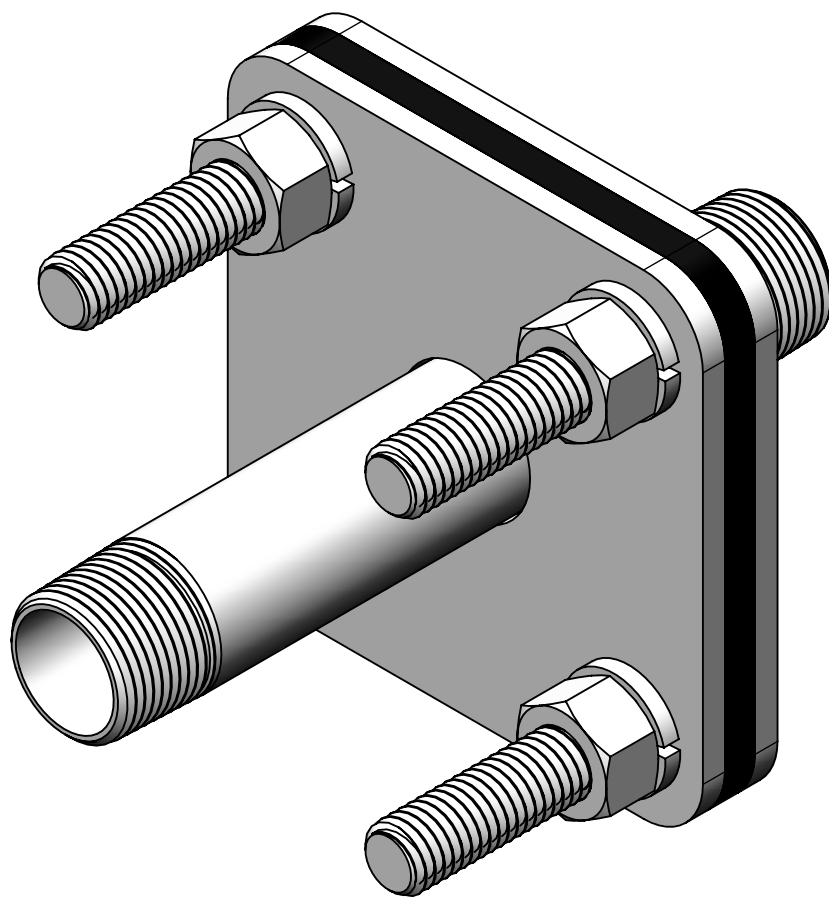
4

3

2

1

BOM TABLE			
ITEM NO.	PART NAME	DESCRIPTION	QTY
1	HEX NUT	1/2"-13 STAINLESS STEEL HEX NUT	4
2	LOCK WASHER	1/2" STAINLESS STEEL LOCK WASHER	4
3	BACKING PLATE	BACKING PLATE	1
4	EPDM GASKET	EPDM GASKET	1
5	THREADED STUD	1/2"-13 THREADED STUD	4
6	WELD PLATE	WELD PLATE	1
7	NIPPLE	3/4" MNPT NIPPLE	1



D

D

C

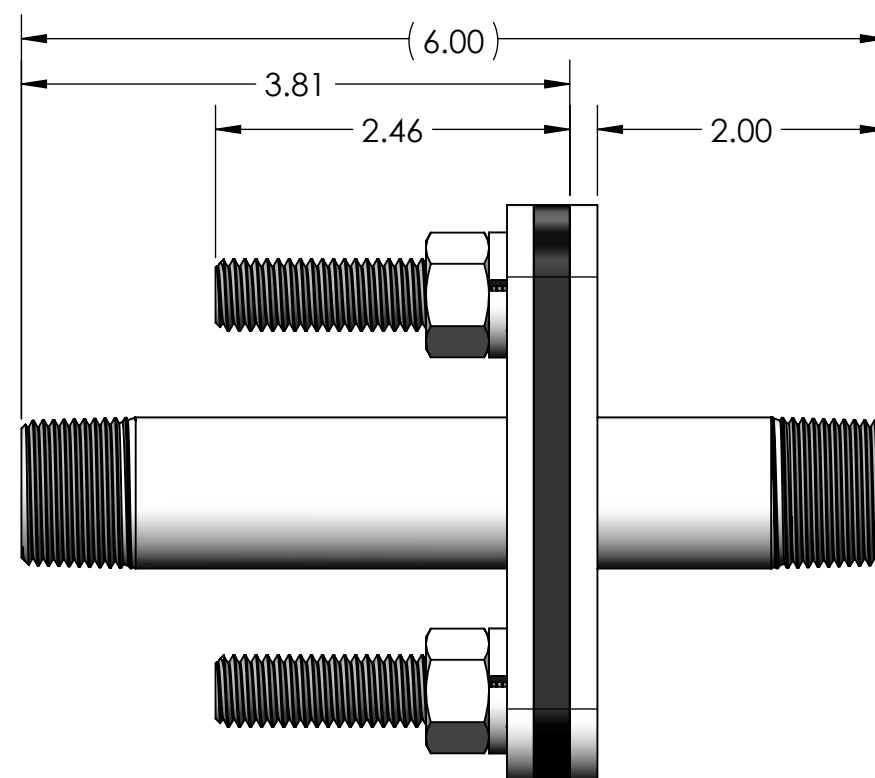
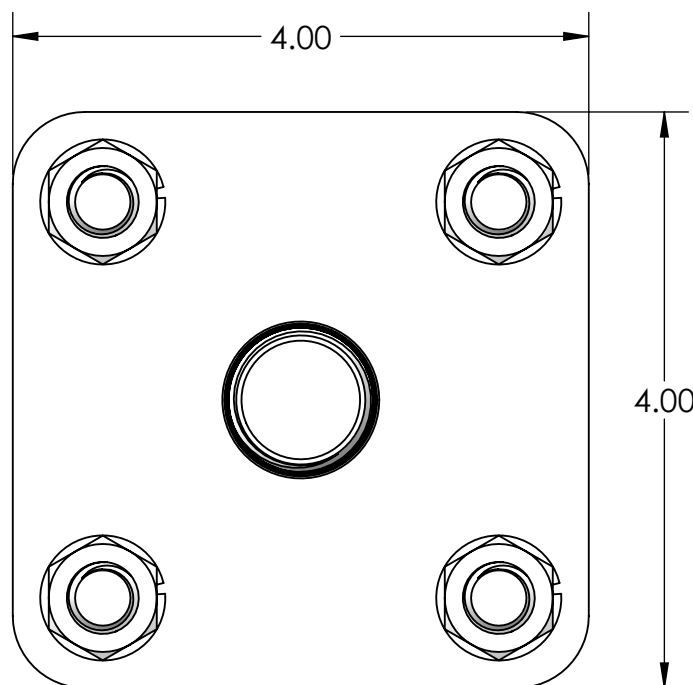
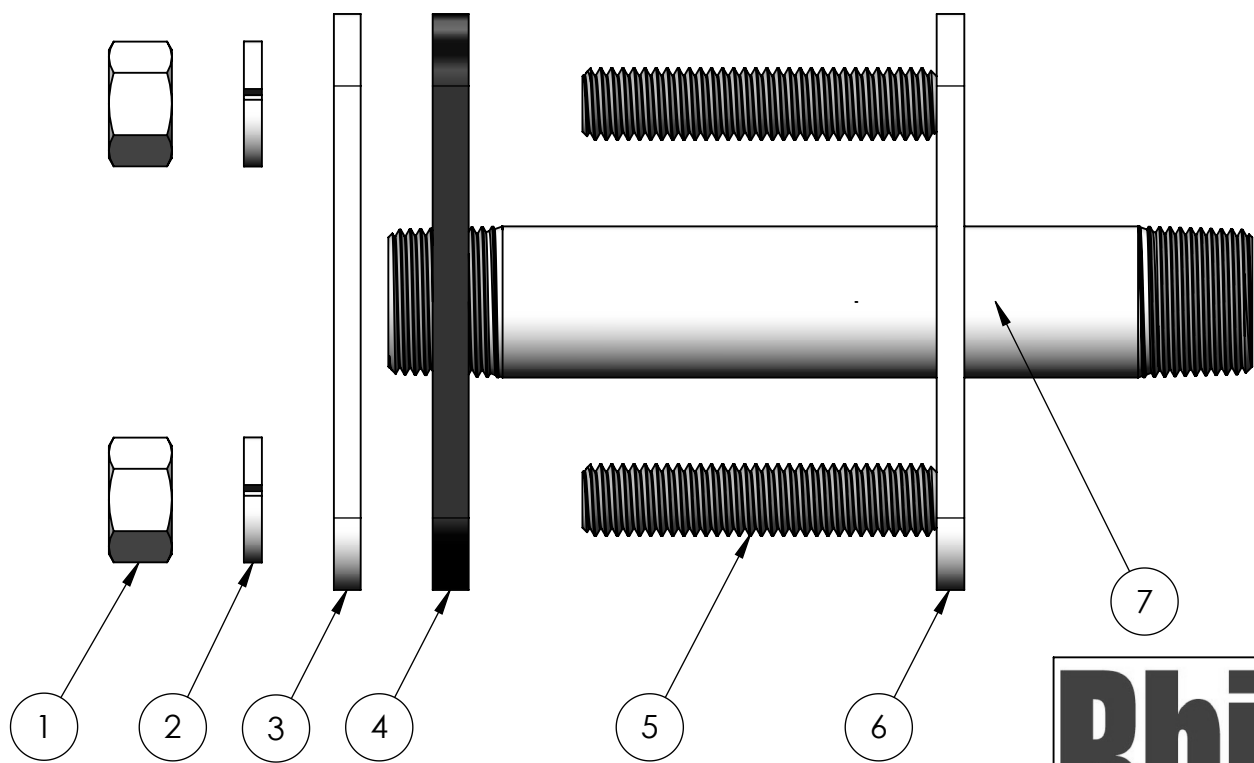
C

B

B

A

A



**Rhino**™  
**Stainless Steel Tank Fittings**  
 rhinofittings.com  
 "Built Tough"  
 1-877-655-7100



UNLESS OTHERWISE SPECIFIED  
 DIMENSIONS ARE IN INCHES.  
 TOLERANCES ARE:  
 ANGULAR: BEND ±2°  
 TWO PLACE DECIMAL ±.03  
 THREE PLACE DECIMAL ±.010  
 DO NOT SCALE DRAWING

MATERIAL  
 316L STAINLESS STEEL

FINISH

PROPRIETARY AND CONFIDENTIAL  
 THE INFORMATION CONTAINED IN THIS  
 DRAWING IS THE SOLE PROPERTY OF  
 AMERICAN TANK CO., INC. ANY  
 REPRODUCTION IN PART OR AS A WHOLE  
 WITHOUT THE WRITTEN PERMISSION OF  
 AMERICAN TANK CO., INC. IS PROHIBITED.

NAME	DATE
DRAWN	D.COTE
CHECKED	
APPROVED	

AMERICAN TANK CO., INC.  
 TITLE:  
**3/4" RHINO FULL NIPPLE  
 TANK FITTING (MNPT X MNPT)**

SIZE <b>B</b>	DWG. NO. <b>0632-010</b>	REV <b>1</b>
SCALE: 3:4	WEIGHT: 2.25 LBS	SHEET 1 OF 1

4

3

2

1