

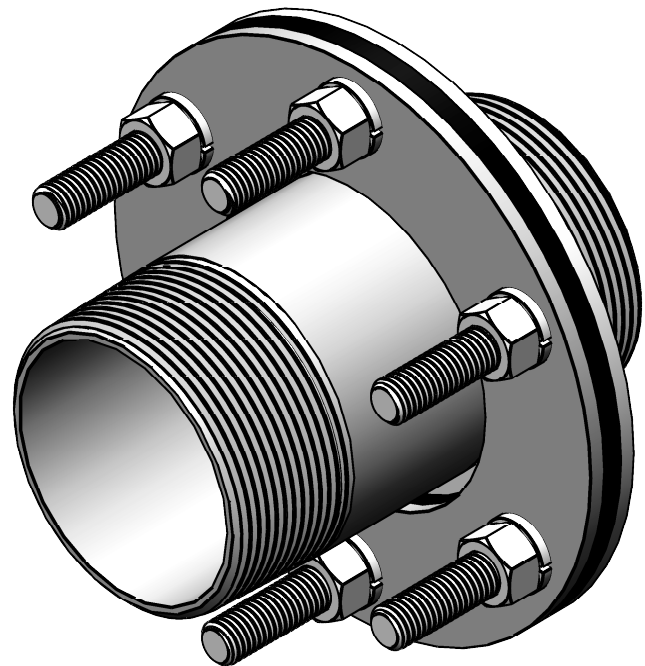
4

3

2

1

BOM TABLE			
ITEM NO.	PART NAME	DESCRIPTION	QTY
1	HEX NUT	1/2"-13 STAINLESS STEEL HEX NUT	6
2	LOCK WASHER	1/2" STAINLESS STEEL LOCK WASHER	6
3	BACKING PLATE	BACKING PLATE	1
4	EPDM GASKET	EPDM GASKET	1
5	THREADED STUD	1/2"-13 THREADED STUD	6
6	WELD PLATE	WELD PLATE	1
7	NIPPLE	3" MNPT NIPPLE	1



D

D

C

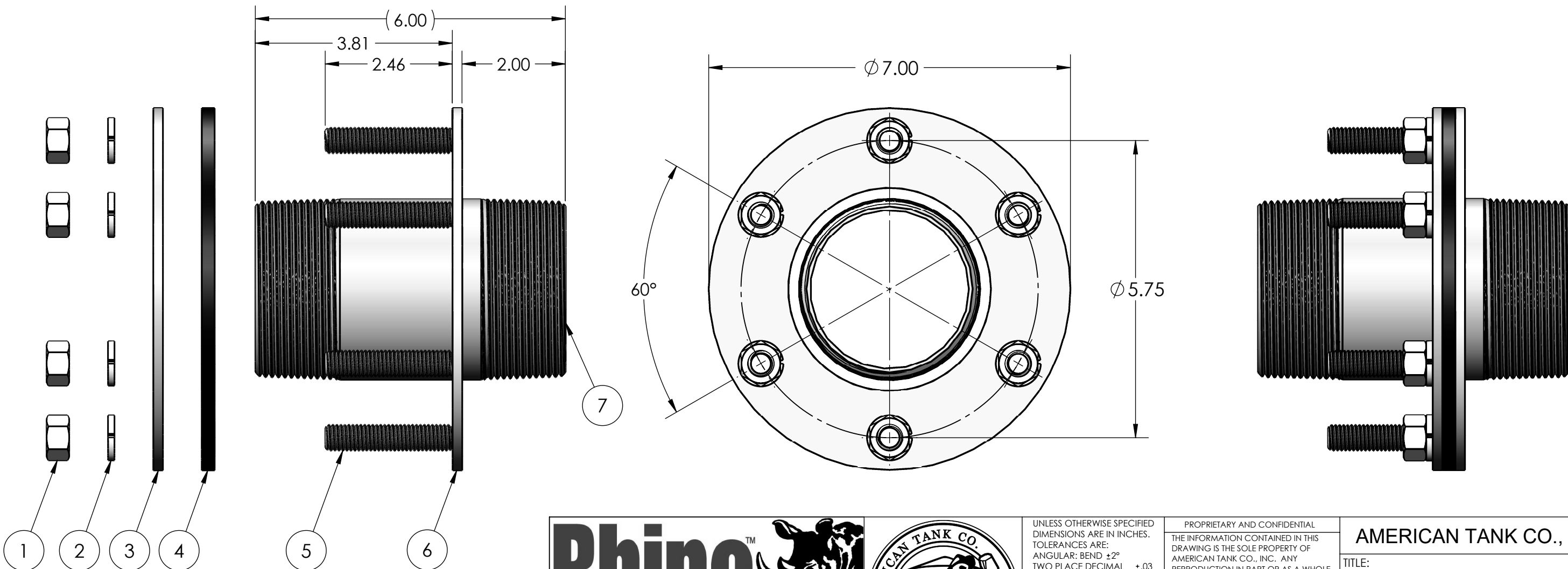
C

B

B

A

A



Rhino™
 "Built Tough"
 Stainless Steel Tank Fittings
 rhinofittings.com 1-877-655-7100



UNLESS OTHERWISE SPECIFIED DIMENSIONS ARE IN INCHES. TOLERANCES ARE:
 ANGULAR: BEND ±2°
 TWO PLACE DECIMAL ±.03
 THREE PLACE DECIMAL ±.010
 DO NOT SCALE DRAWING

MATERIAL: 316L STAINLESS STEEL
 FINISH:

PROPRIETARY AND CONFIDENTIAL
 THE INFORMATION CONTAINED IN THIS DRAWING IS THE SOLE PROPERTY OF AMERICAN TANK CO., INC. ANY REPRODUCTION IN PART OR AS A WHOLE WITHOUT THE WRITTEN PERMISSION OF AMERICAN TANK CO., INC. IS PROHIBITED.

NAME	DATE
DRAWN: D.COTE	
CHECKED:	
APPROVED:	

AMERICAN TANK CO., INC.
 TITLE:
 3" RHINO FULL NIPPLE TANK FITTING (MNPT X MNPT)

SIZE: B	DWG. NO.: 0632-040	REV: 1
SCALE: 1:2	WEIGHT: 3.334	SHEET 1 OF 1

4

3

2

1