

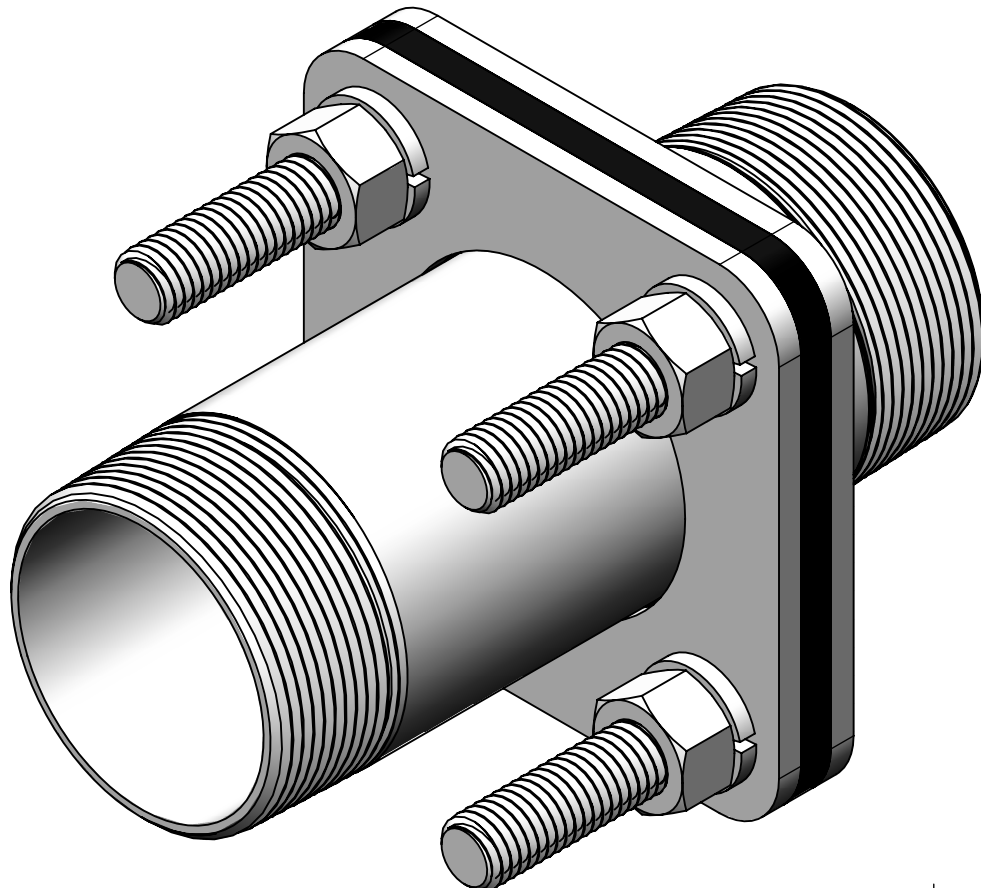
4

3

2

1

BOM TABLE			
ITEM NO.	PART NAME	DESCRIPTION	QTY
1	HEX NUT	1/2"-13 STAINLESS STEEL HEX NUT	4
2	LOCK WASHER	1/2" STAINLESS STEEL LOCK WASHER	4
3	BACKING PLATE	BACKING PLATE	1
4	EPDM GASKET	EPDM GASKET	1
5	THREADED STUD	1/2"-13 THREADED STUD	4
6	WELD PLATE	WELD PLATE	1
7	NIPPLE	2" MNPT NIPPLE	1



D

D

C

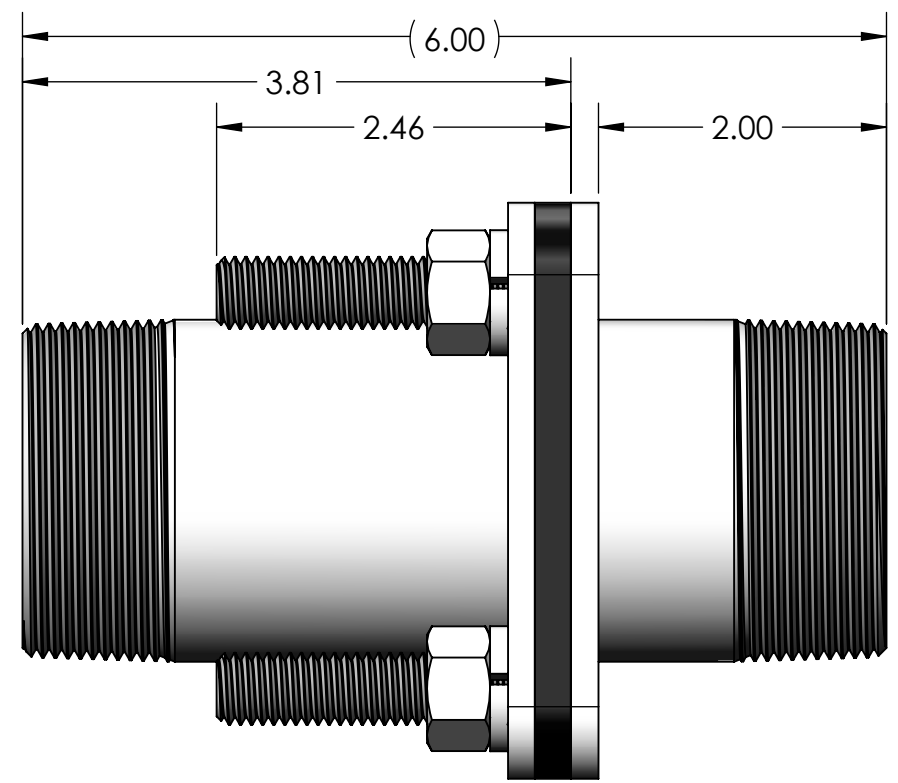
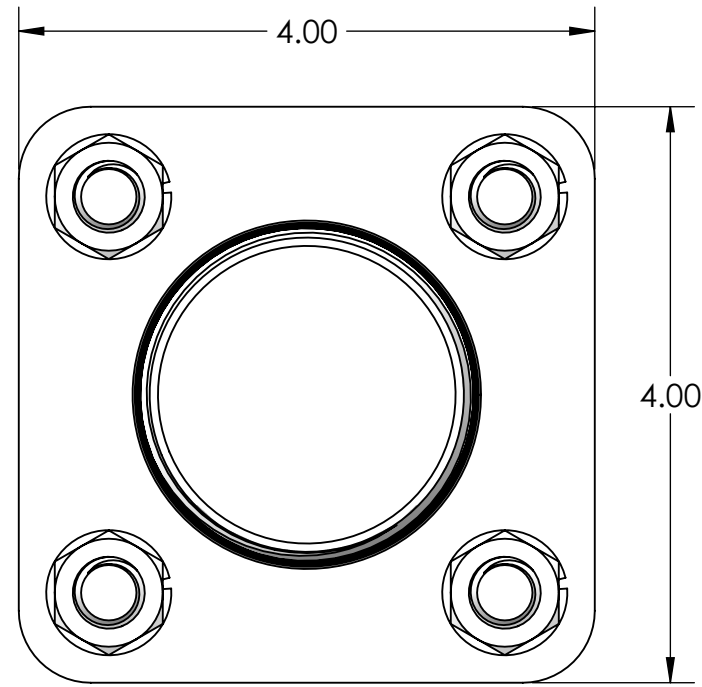
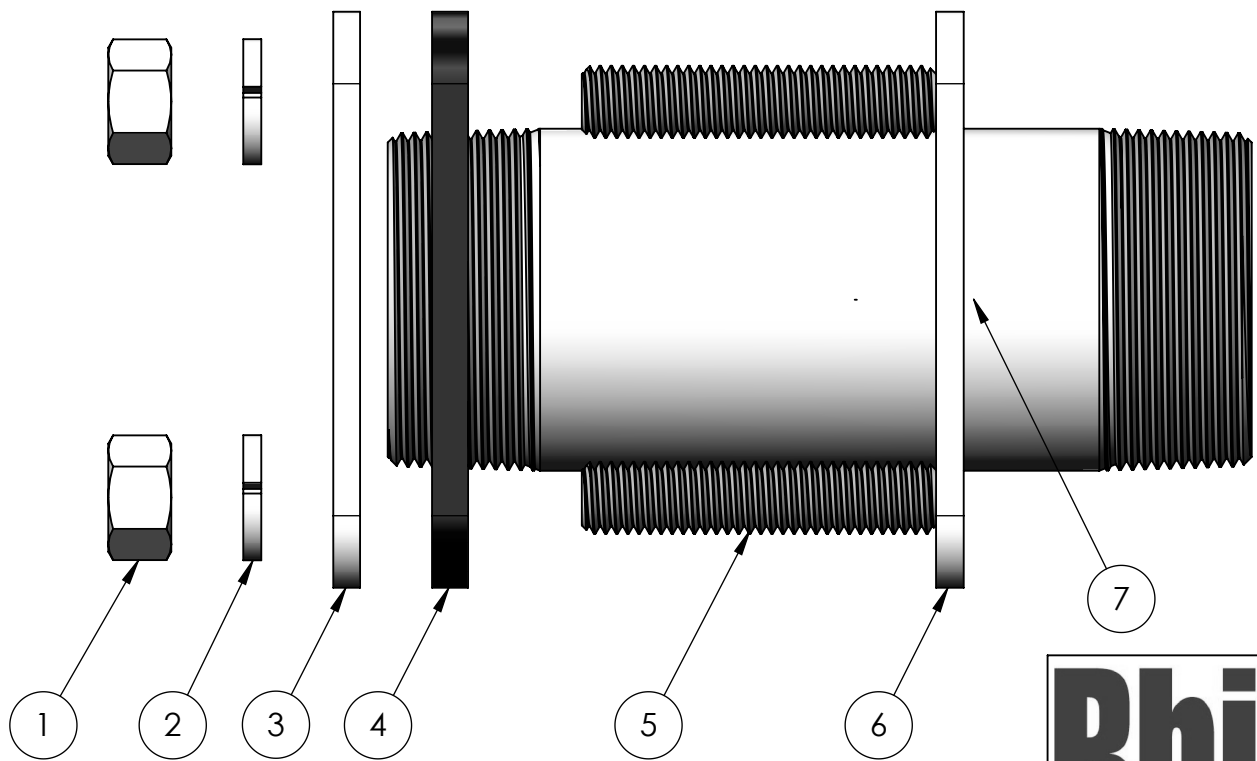
C

B

B

A

A



Rhino™
Stainless Steel Tank Fittings
 rhinofittings.com
 "Built Tough"
 1-877-655-7100



UNLESS OTHERWISE SPECIFIED DIMENSIONS ARE IN INCHES. TOLERANCES ARE: ANGULAR: BEND ±2° TWO PLACE DECIMAL ±.03 THREE PLACE DECIMAL ±.010 DO NOT SCALE DRAWING		PROPRIETARY AND CONFIDENTIAL THE INFORMATION CONTAINED IN THIS DRAWING IS THE SOLE PROPERTY OF AMERICAN TANK CO., INC. ANY REPRODUCTION IN PART OR AS A WHOLE WITHOUT THE WRITTEN PERMISSION OF AMERICAN TANK CO., INC. IS PROHIBITED.	
MATERIAL	316L STAINLESS STEEL	NAME	DATE
FINISH		DRAWN	D.COTE
		CHECKED	
		APPROVED	

AMERICAN TANK CO., INC.		
TITLE: 2" RHINO FULL NIPPLE TANK FITTING (MNPT X MNPT)		
SIZE	DWG. NO.	REV
B	0632-030	1
SCALE: 3:4	WEIGHT: 2.25 LBS	SHEET 1 OF 1

4

3

2

1