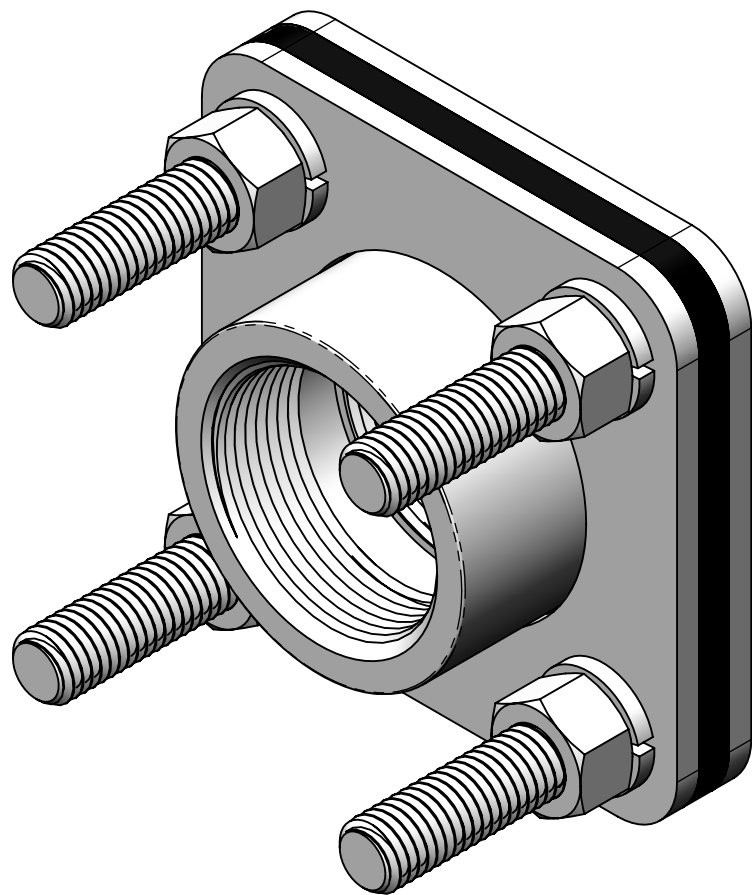


4

3

2

1



BOM TABLE			
ITEM NO.	PART NAME	DESCRIPTION	QTY
1	HEX NUT	1/2"-13 STAINLESS STEEL HEX NUT	4
2	LOCK WASHER	1/2" STAINLESS STEEL LOCK WASHER	4
3	BACKING PLATE	BACKING PLATE	1
4	EPDM GASKET	EPDM GASKET	1
5	THREADED STUD	1/2"-13 THREADED STUD	4
6	WELD PLATE	WELD PLATE	1
7	COUPLING	1-1/2" FNPT COUPLING	1

D

D

C

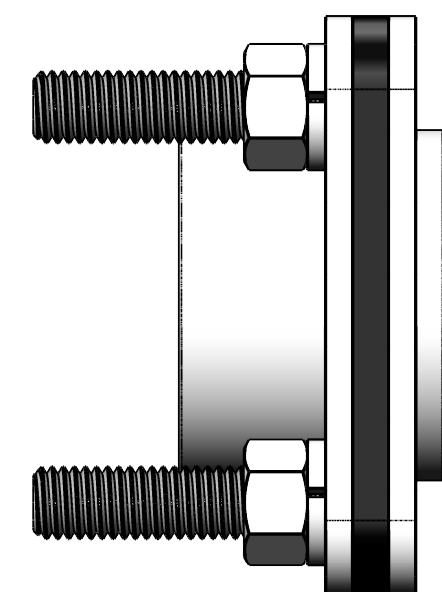
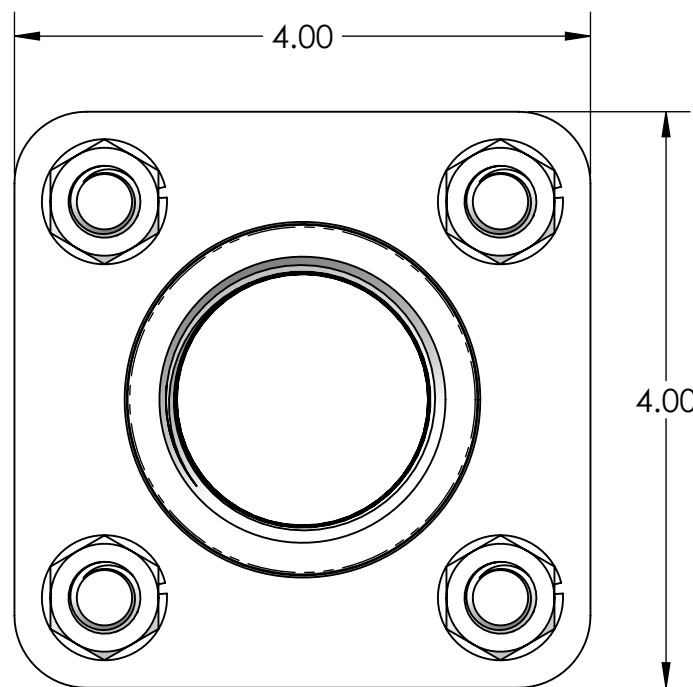
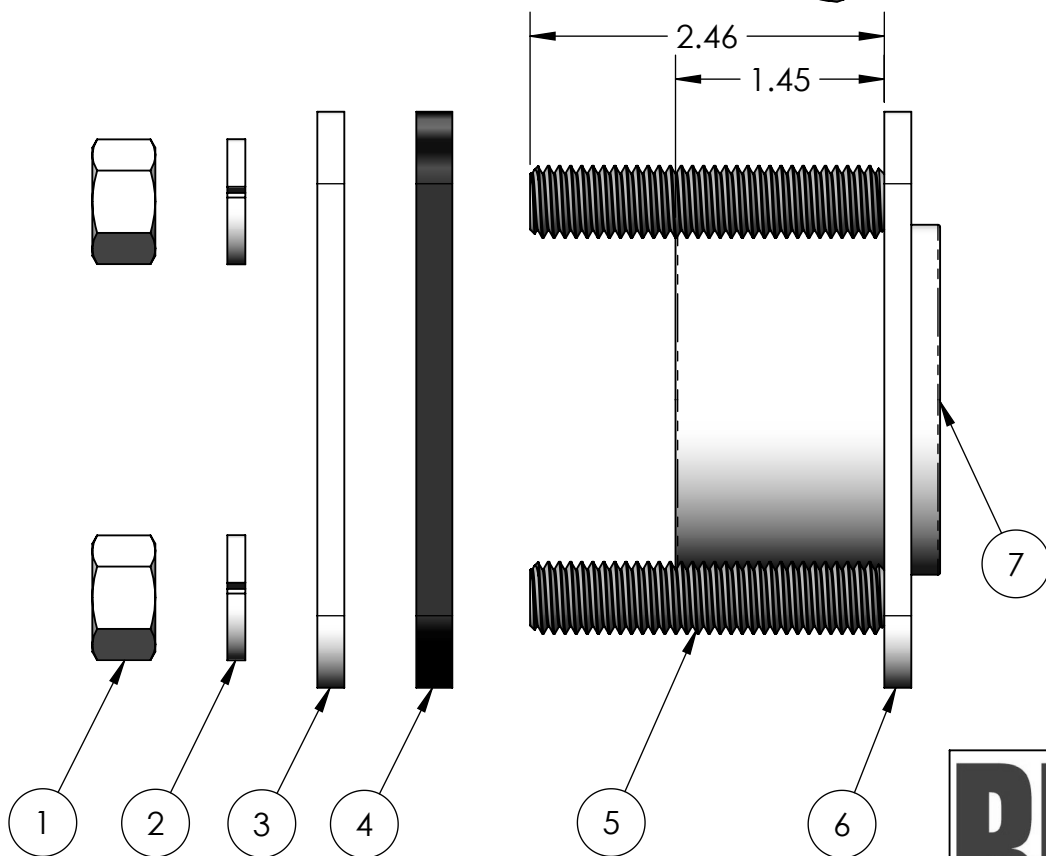
C

B

B

A

A



RhinoTM
 "Built Tough"
Stainless Steel Tank Fittings
 rhinofittings.com 1-877-655-7100



UNLESS OTHERWISE SPECIFIED
 DIMENSIONS ARE IN INCHES.
 TOLERANCES ARE:
 ANGULAR: BEND ±2°
 TWO PLACE DECIMAL ±.03
 THREE PLACE DECIMAL ±.010
 DO NOT SCALE DRAWING

MATERIAL
 316L STAINLESS STEEL

FINISH

PROPRIETARY AND CONFIDENTIAL
 THE INFORMATION CONTAINED IN THIS
 DRAWING IS THE SOLE PROPERTY OF
 AMERICAN TANK CO., INC. ANY
 REPRODUCTION IN PART OR AS A WHOLE
 WITHOUT THE WRITTEN PERMISSION OF
 AMERICAN TANK CO., INC. IS PROHIBITED.

NAME	DATE
DRAWN	D.COTE
CHECKED	
APPROVED	

AMERICAN TANK CO., INC.

TITLE:
**1-1/2" RHINO FULL COUPLING
 TANK FITTING (FNPT X FNPT)**

SIZE B	DWG. NO. 0630-025	REV 1
SCALE: 3:4	WEIGHT: 2.50 LBS	SHEET 1 OF 1

4

3

2

1