

Shelf support - for wooden shelves H 30 mm

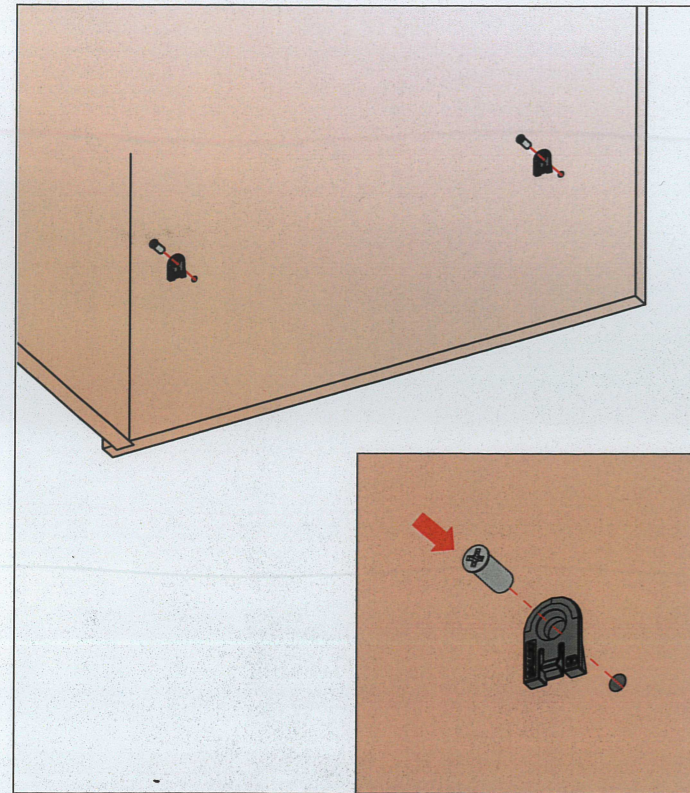
VE80MPFER030AB

PACKING

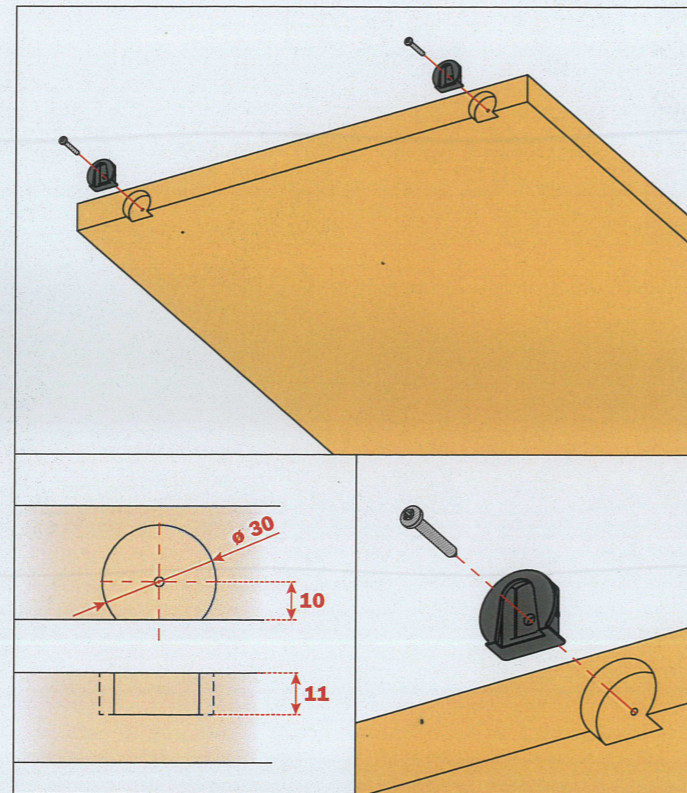
1 box:

- 120 shelf supports
- 120 supports for cabinet side

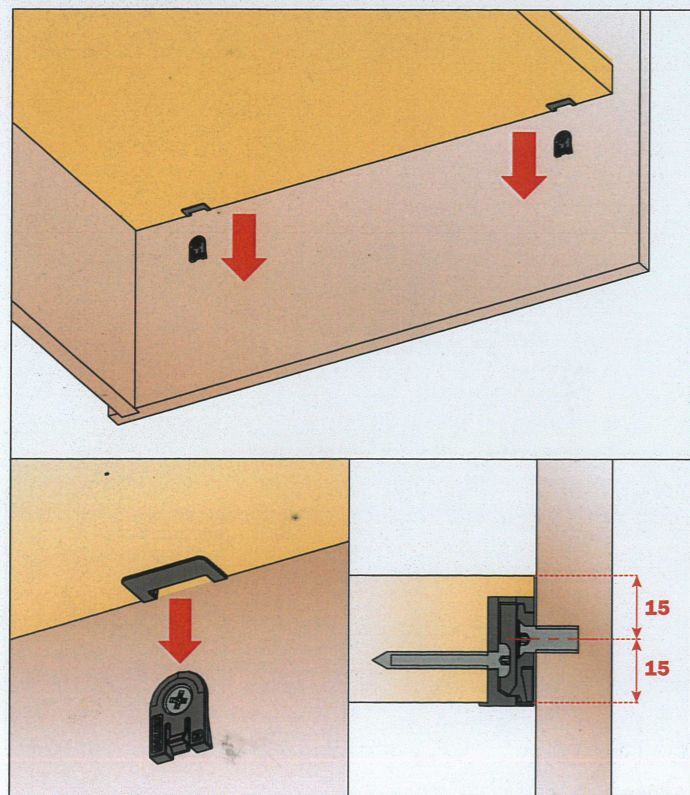
1. Screw-fix the supports to the cabinet side with EUROSCREWS
TPS \varnothing 6.3 x 14 Z.B.



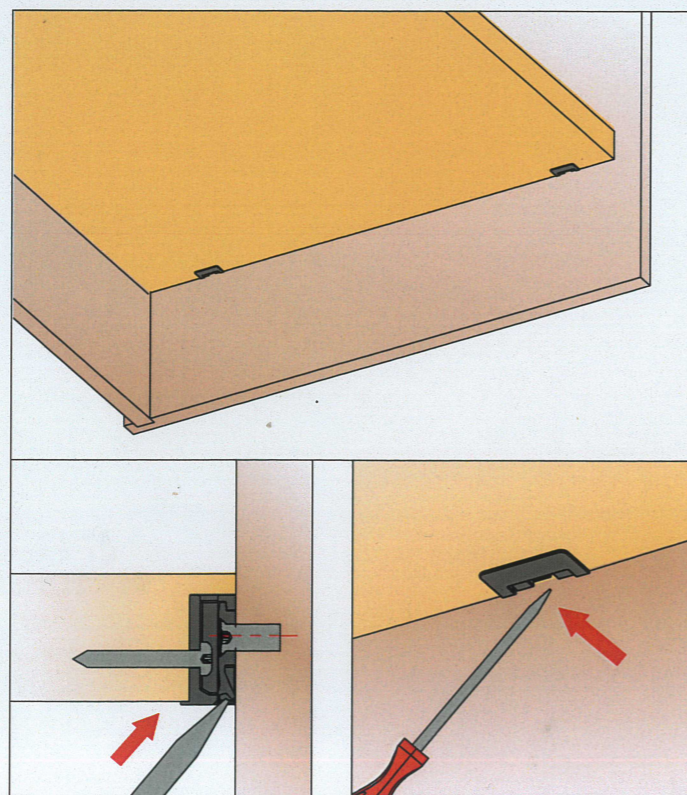
2. Drill the shelf with a \varnothing 30 mm hole.
Insert the shelf support in the hole and fix with WOOD screws
TC \varnothing 4 x 30 Z.B.



3. Press down firmly to lock the shelf in position



4. Use a screwdriver here to release the shelf



Shelf support - for wooden shelves H 35 mm

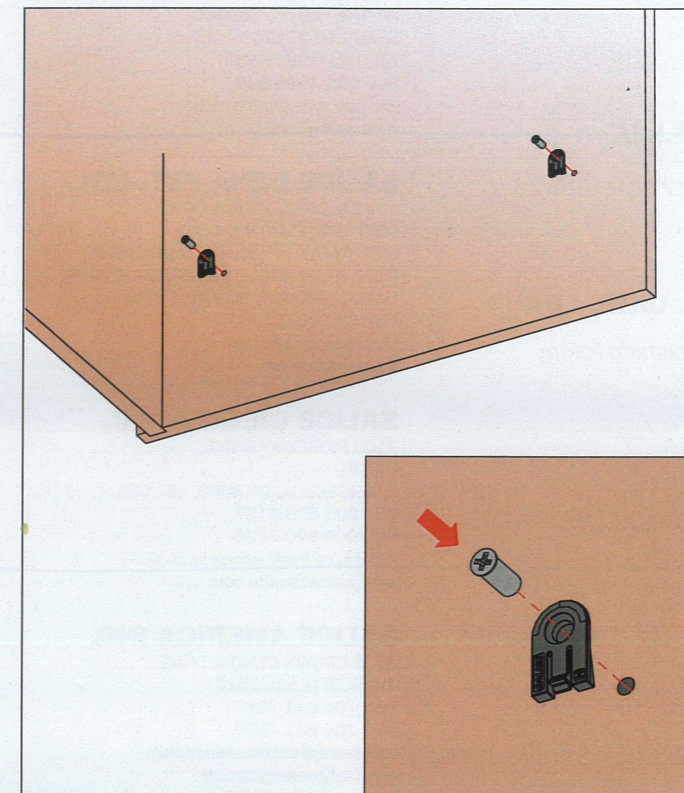
VE80MPFER036AB

PACKING

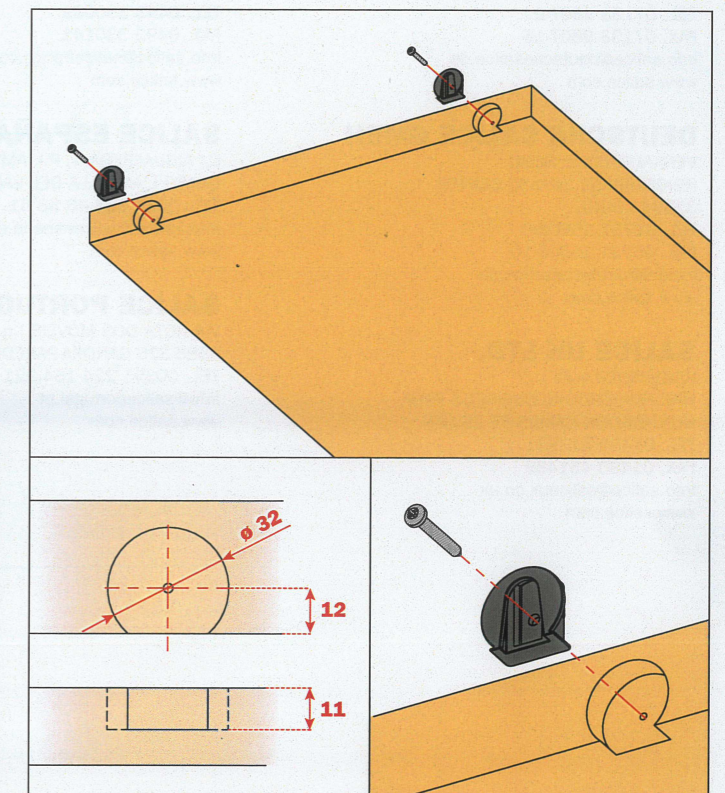
1 box:

- 120 shelf supports
- 120 supports for cabinet side

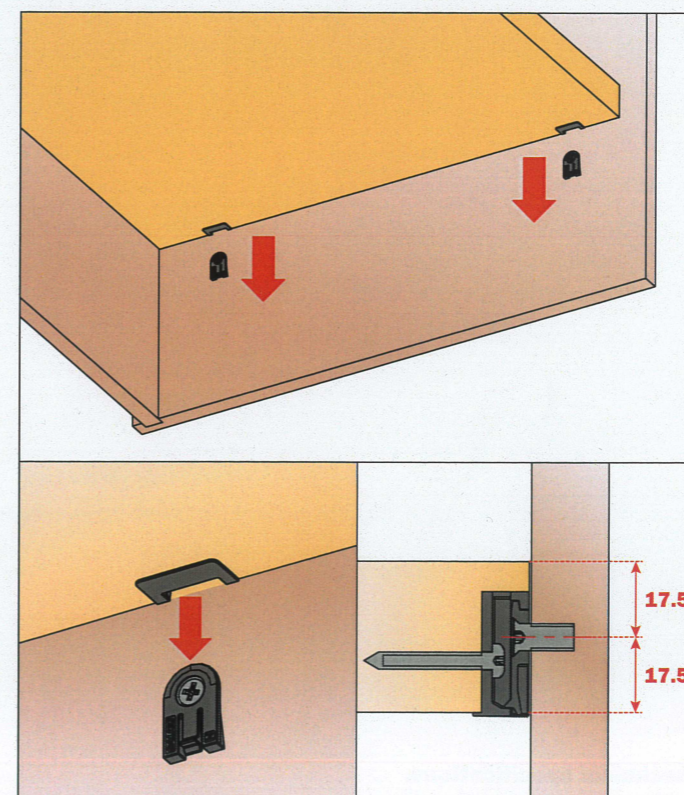
1. Screw-fix the supports to the cabinet side with EUROSCREWS
TPS \varnothing 6.3 x 14 Z.B.



2. Drill the shelf with a \varnothing 32 mm hole.
Insert the shelf support in the hole and fix with WOOD screws
TC \varnothing 4 x 30 Z.B.



3. Press down firmly to lock the shelf in position



4. Use a screwdriver here to release the shelf

