



Shelf
SALICE

Shelf - Runner for pull-out shelves

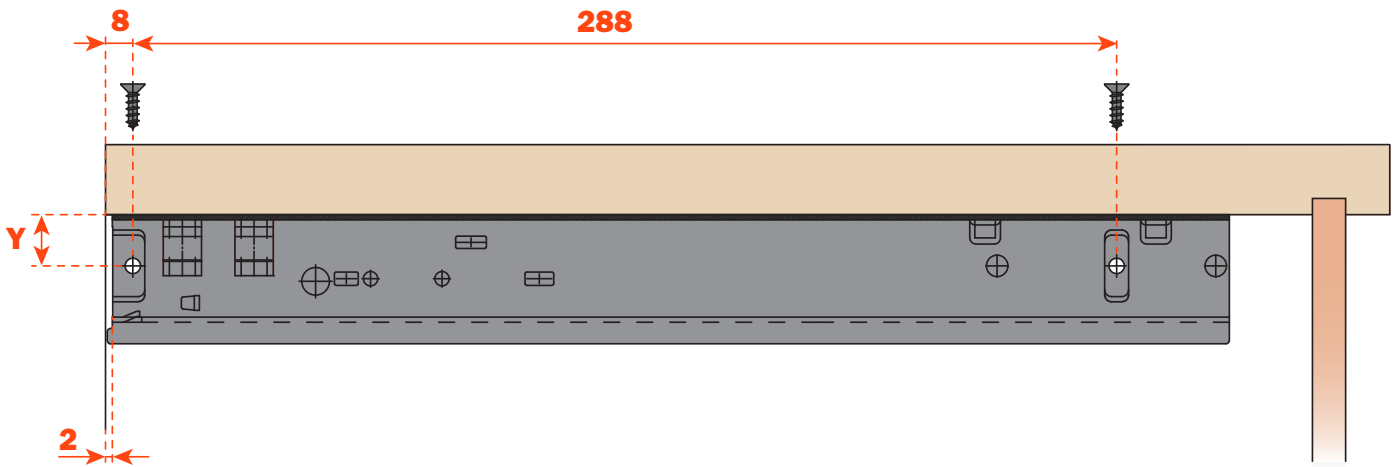
The Shelf runner for pull-out shelves with fixing on the bottom can be used in various contexts as kitchens, display stands for shops, living room and office furniture. This runner enables shelves to slide forward for easy access.

It is available with full-extension, all lengths, with Push opening for handle-less furniture and with Smove decelerated closing.



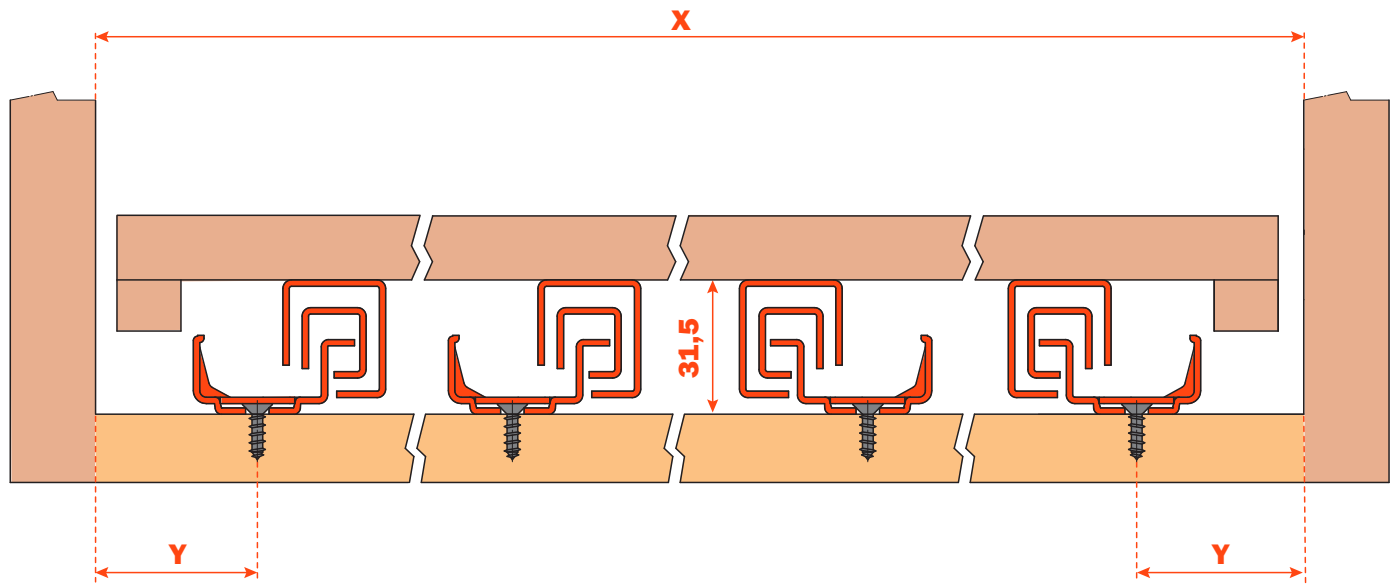
Plan view - Full-extension

350 - 600



Y = Min. 15 mm

With very large shelves, it is possible to increase the number of runners, in order to improve the load capacity and the stability of the shelf.

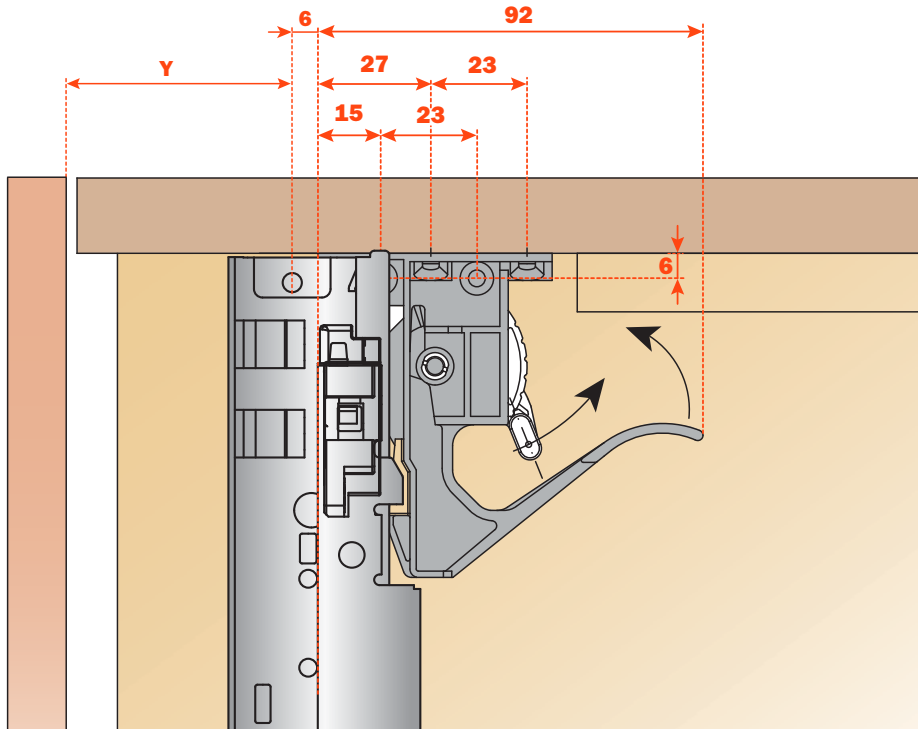


Y = Min. 15 mm

Shelf - clip

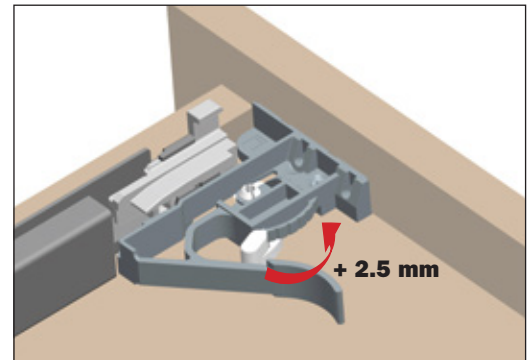
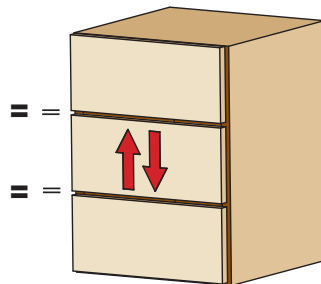
Clip fixing

Y = Min. 15 mm



Shelf adjustment

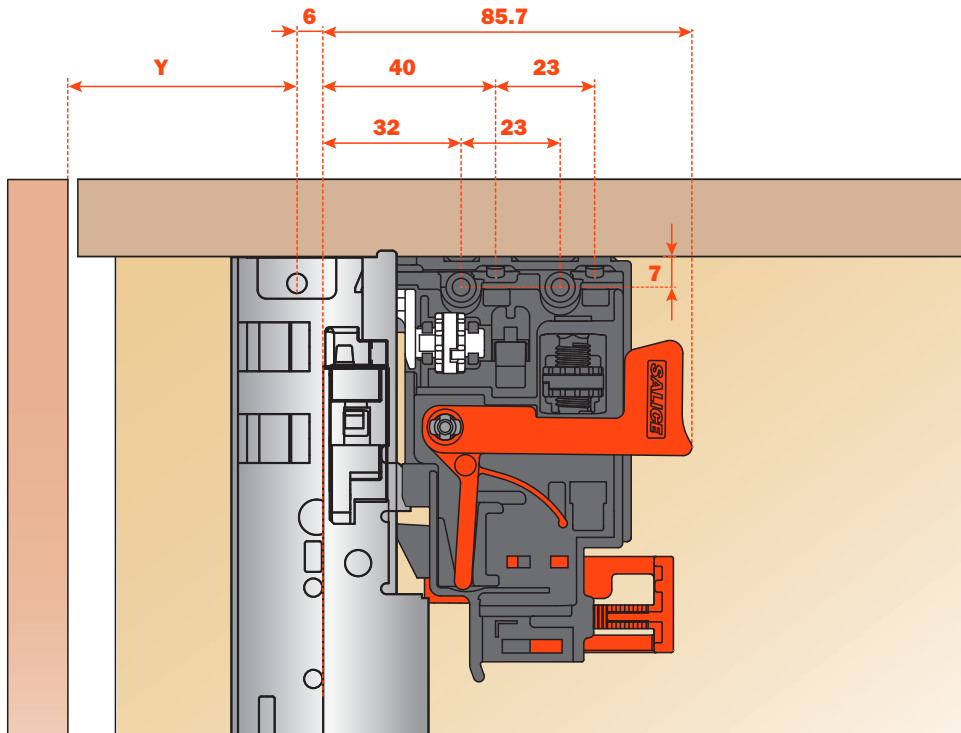
Shelf height adjustment
(+ 2,5 mm) using the lever
indicated



Shelf - 3 way adjustable clip

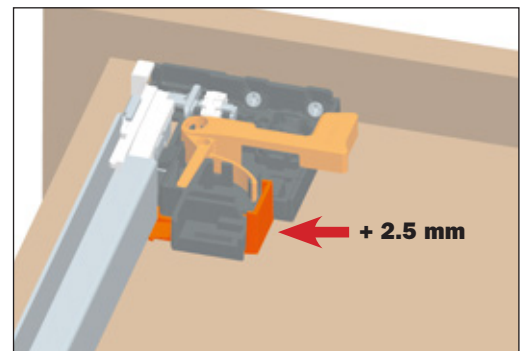
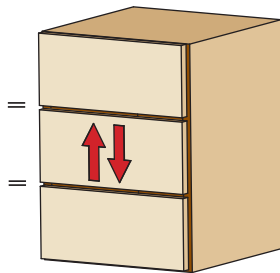
Clip fixing

Y = Min. 15 mm

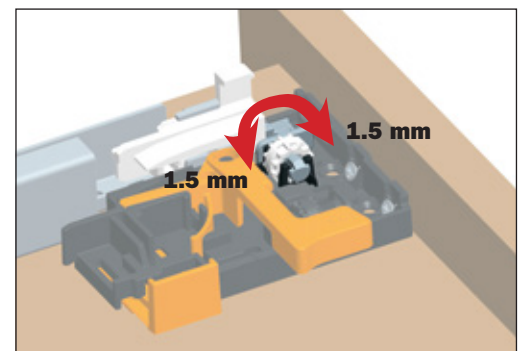
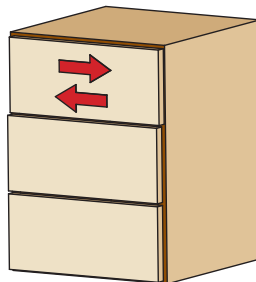


Shelf adjustment

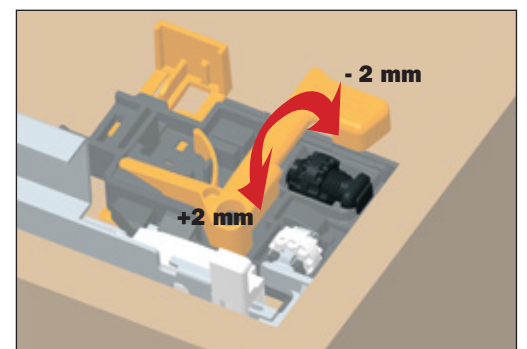
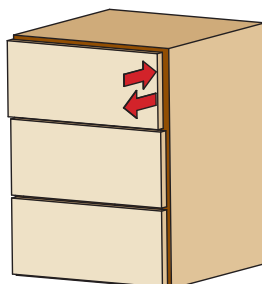
Height adjustment
+ 2.5 mm



Sideways adjustment
+ 1.5 mm - 1.5 mm



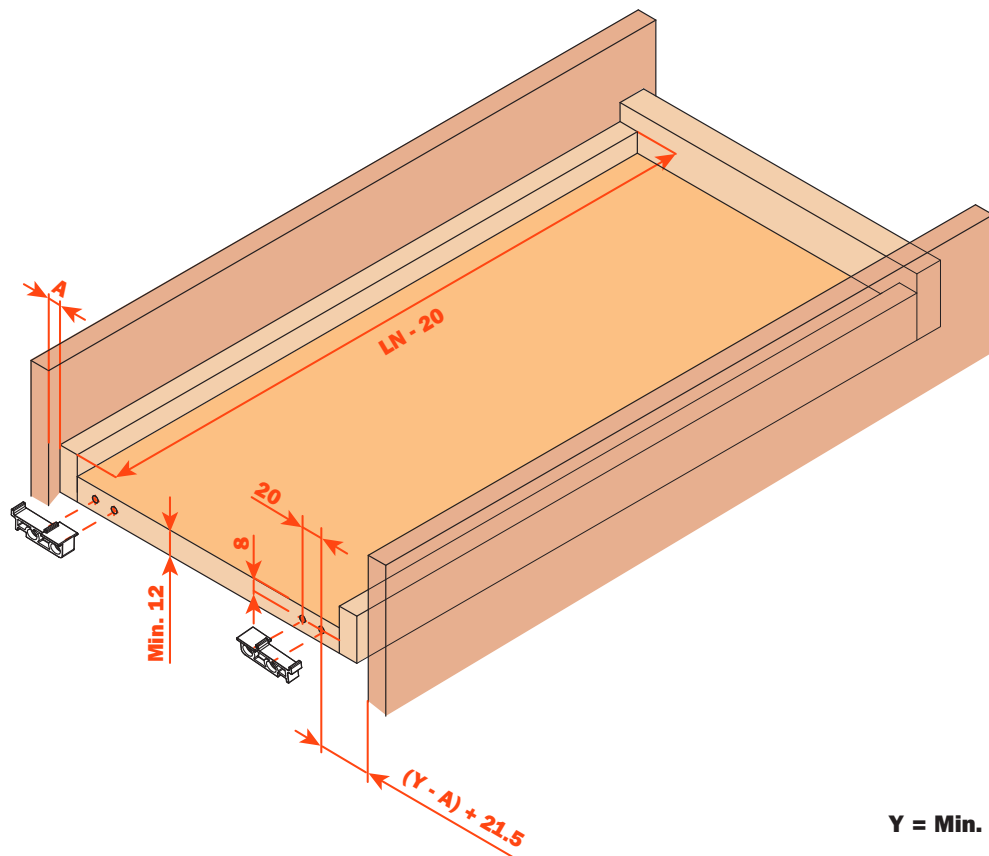
Depth adjustment
+ 2 mm - 2 mm



Shelf - Fixing of the support for the rear hook

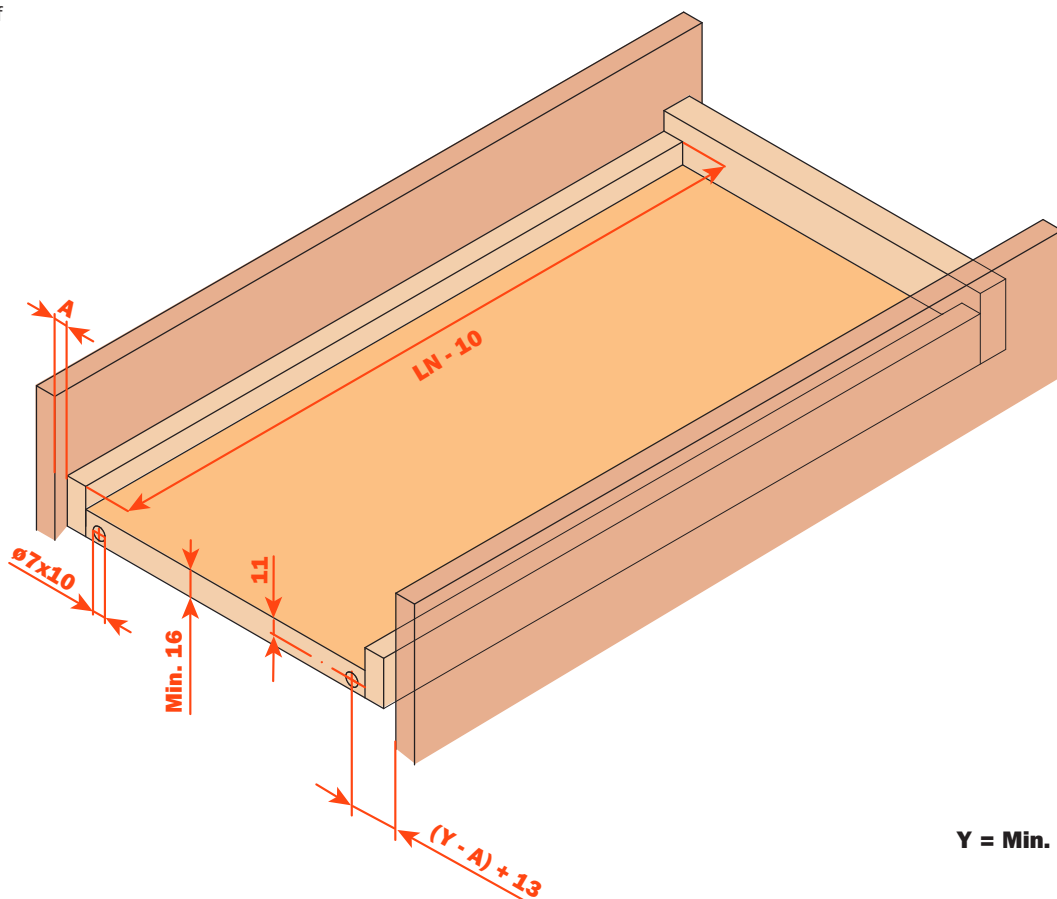
Fixing on the pull-out shelf with a minimum thickness of 12 mm

Rear fixing on shelf



Fixing on the pull-out shelf with a minimum thickness of 16 mm

Rear fixing on shelf



Packing

Boxes = 20 pairs

Pallets:

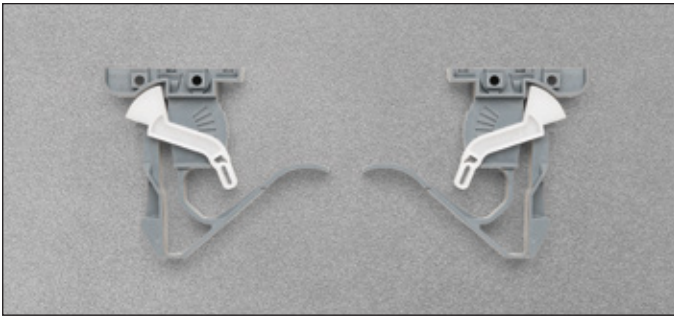
FULL EXTENSION		
ARTICLE	LENGTH	PACKING
65579 PUSH	from 350 to 400	400 prs
65579 PUSH	from 450 to 600	320 prs
65559 SMOVE	from 350 to 400	300 prs
65559 SMOVE	from 450 to 600	280 prs



1 0 710 00 010 1 0 0

Shelf clip

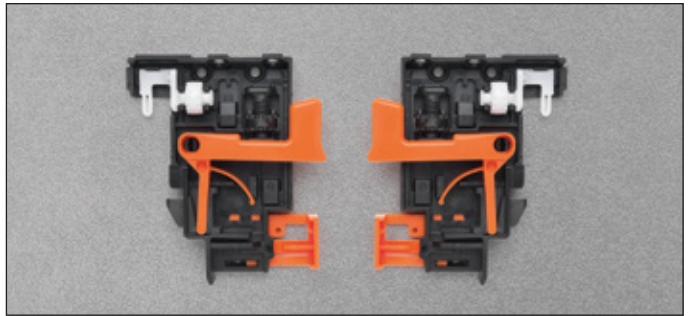
Packing = 100 pairs



1 0 750 00 010 1 0 0

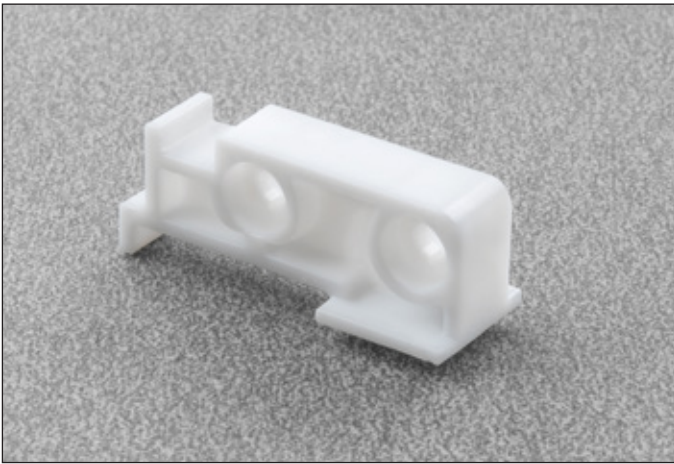
Shelf with 3 way adjustable clip.

Packing = 100 pairs



825650000

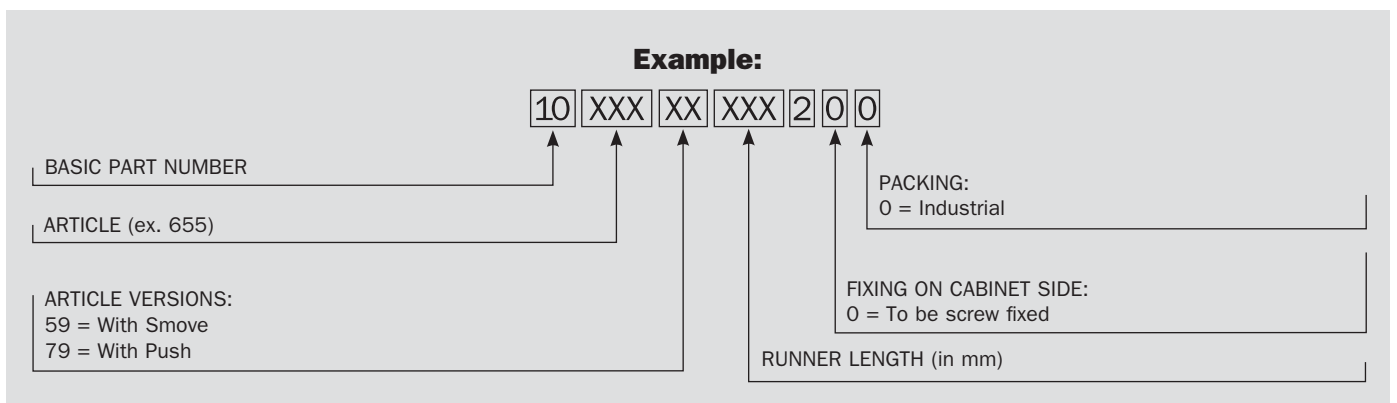
Support for the rear hook



Industrial packing = 200 pcs.

With shelves of reduced thickness, min.12 mm, the runner can be used together with the support for the rear hook, thus eliminating the need for the rear hole in the shelf.

Part number composition - runners



Shelf - Push 65579 - Concealed runner



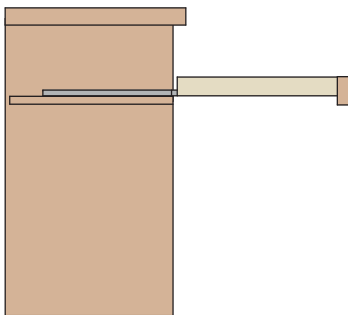
Full-extension runner fixed to the shelf by clip.

Push: the opening system for handle-less shelves is fully integrated in the runner.

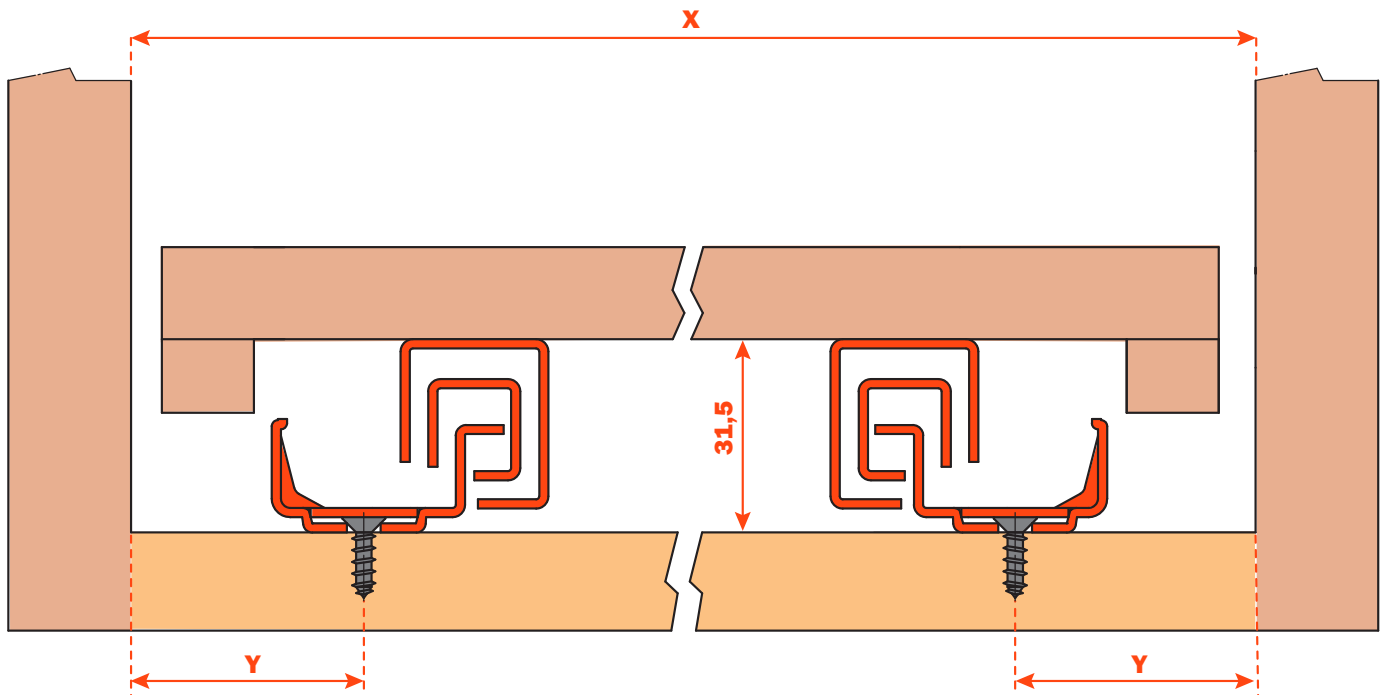
A slight pressure of the frontal is sufficient for the shelf to self-open.

Product features

- Dynamic load capacity N 294 (Kg 30).
- Push opening system.
- Safety system that prevents the shelves from turning over.
- Shelf height adjustment +2.5 mm with clip 10 710.
- Shelf height adjustment +2.5 mm, side adjustment ± 1.5 mm, depth adjustment ± 2 mm with clip 10 750.
- The shelf is held in the closed position.
- Finish: bright zinc-plated.

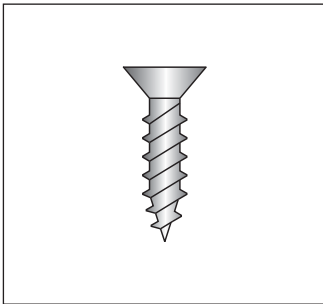


Dimensions



Y = Min. 15 mm

Part number

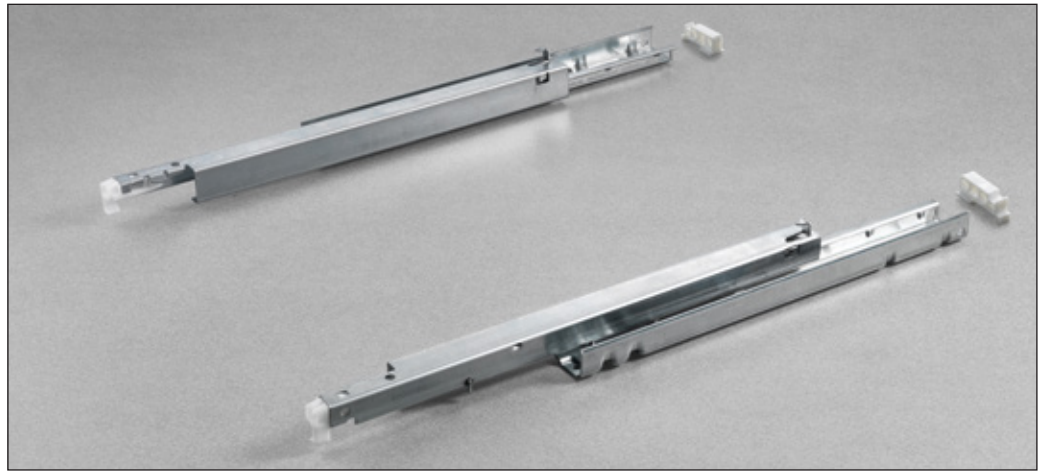


To be screw fixed
Screw TSP \varnothing 3,5 mm

BASIC PART NUMBER	RUNNER LENGTH (LN)	=	MIN. DEPTH OF THE CABINET (PM)
1 0 655 79 350 2 0 0	350		360
1 0 655 79 400 2 0 0	400		410
1 0 655 79 450 2 0 0	450		460
1 0 655 79 470 2 0 0	470		480
1 0 655 79 500 2 0 0	500		510
1 0 655 79 550 2 0 0	550		555
1 0 655 79 600 2 0 0	600		605

Support for the rear hook

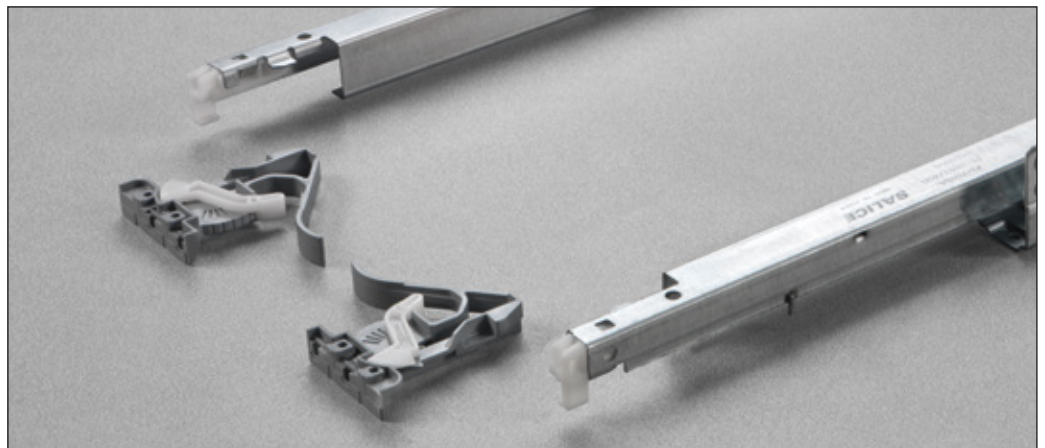
Part number
852650000



Fixing the shelf onto the runners

Clip part number
1 0 710 00 010 1 0 0

Detail of the clip with tool free integrated height adjustment.



Clip part number
1 0 750 00 010 1 0 0

Detail of the tool free integrated 3-way adjustment clip (height, depth and side adjustment).



Shelf - Smove 65559 - Concealed runner

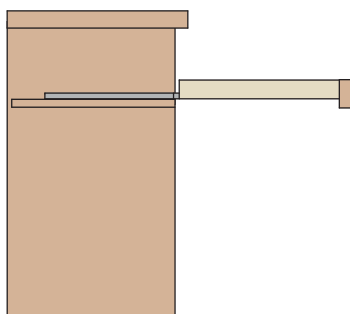


Full-extension runner fixed to the shelf by clip.

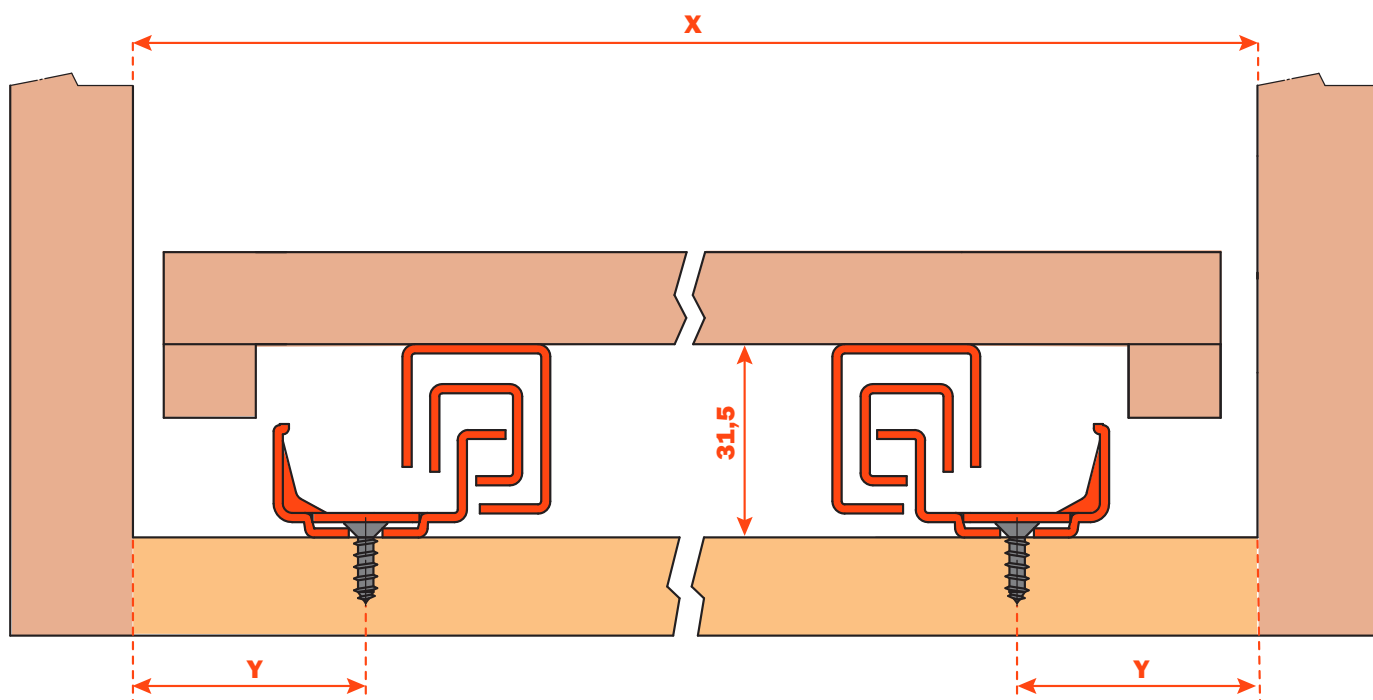
Smove: fully integrated in the runner, decelerates the closing action of the shelf.

Product features

- Dynamic load capacity N 294 (Kg 30).
- Smove decelerated closing.
- Safety system that prevents the shelves from turning over.
- Shelf height adjustment +2.5 mm with clip 10 710.
- Shelf height adjustment +2.5 mm, side adjustment ± 1.5 mm, depth adjustment ± 2 mm with clip 10 750.
- Finish: bright zinc-plated.

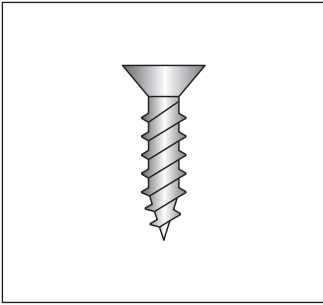


Dimensions



Y = Min. 15 mm

Part number

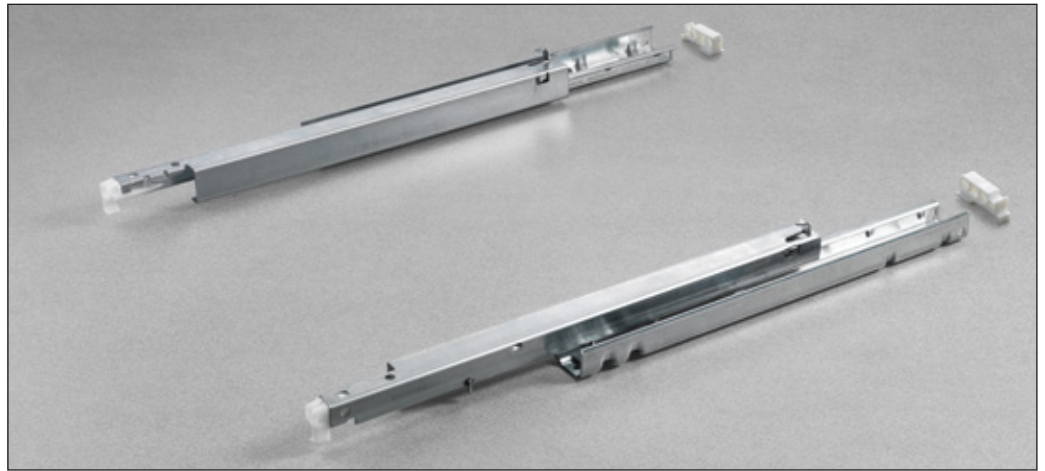


To be screw fixed
Screw TSP \varnothing 3,5 mm

BASIC PART NUMBER	RUNNER LENGTH (LN)	=	MIN. DEPTH OF THE CABINET (PM)
1 0 655 59 350 2 0 0	350		360
1 0 655 59 400 2 0 0	400		410
1 0 655 59 450 2 0 0	450		460
1 0 655 59 470 2 0 0	470		480
1 0 655 59 500 2 0 0	500		510
1 0 655 59 550 2 0 0	550		555
1 0 655 59 600 2 0 0	600		605

Support for the rear hook

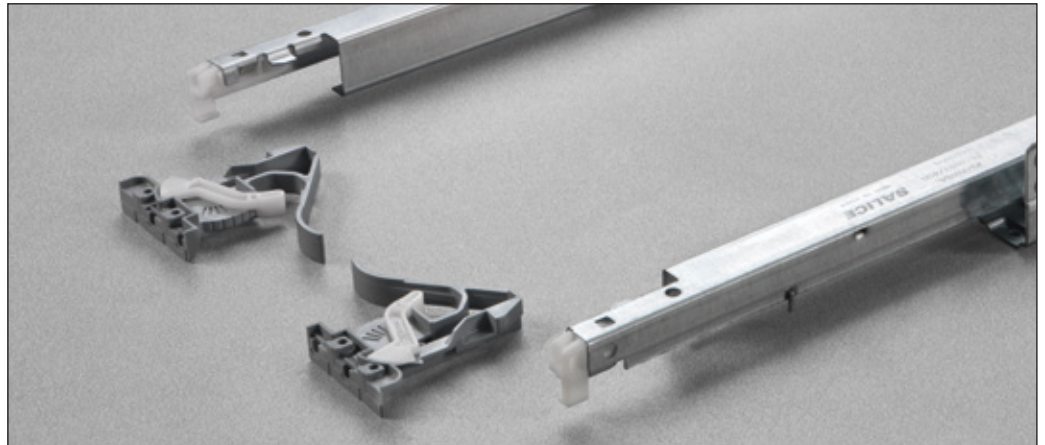
Part number
852650000



Fixing the shelf onto the runners

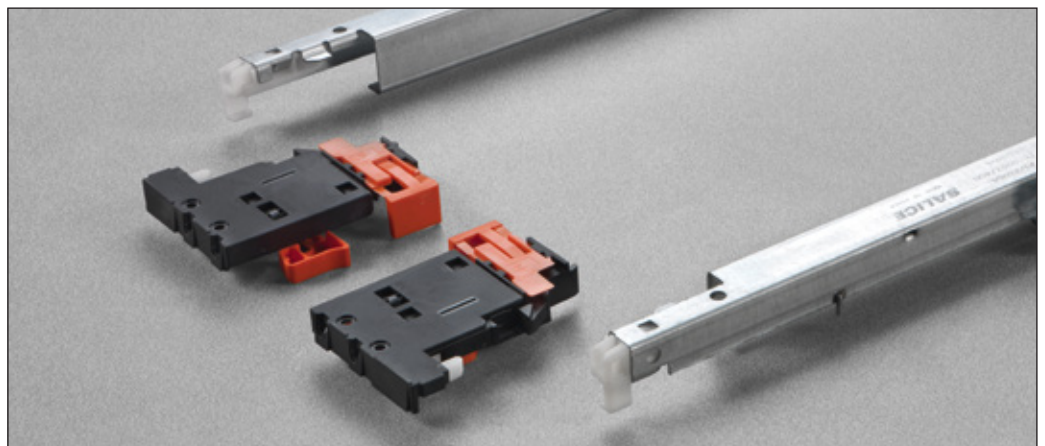
Clip part number
1 0 710 00 010 1 0 0

Detail of the clip with tool free integrated height adjustment.



Clip part number
1 0 750 00 010 1 0 0

Detail of the tool free integrated 3-way adjustment clip (height, depth and side adjustment).



ARTURO SALICE S.p.A.

VIA PROVINCIALE NOVEDRATESE, 10
22060 NOVEDRATE (COMO) ITALIA
TEL. 031 790424
FAX 031 791508
info.salice@salice.com
www.salice.com

DEUTSCHE SALICE GMBH

RUDOLF DIESEL STR. 10
POSTFACH 1154
74382 NECKARWESTHEIM
TEL. 07233 9807-0
FAX. 07233 9807-16
info.salice@deutschesalice.de
www.deutschesalice.de

DEUTSCHE SALICE GMBH

VERKAUFSBÜRO NORD
RINGSTRASSE 36/A30 CENTER
32584 LÖHNE
TEL. 05731 15608-0
FAX. 05731 15608-10
vknord@deutschesalice.de
www.deutschesalice.de

SALICE FRANCE S.A.R.L.

ROUTE DE GOA ZAC LES 3 MOULINS
06600 ANTIBES
TEL. 0493 330069
FAX. 0493 330141
info.salice@salicefrance.com
www.salicefrance.com

SALICE ESPAÑA, S.L.U.

CALLE COPÉRNICO, 11
POLÍGONO INDUSTRIAL
COLL DE LA MANYA
08403 GRANOLLERS (BARCELONA)
TEL. 938 45 88 61
FAX 938 49 11 97
info.salice@saliceespana.es
www.saliceespana.es

SALICE UK LTD.

KINGFISHER WAY
HINCHINGBROOKE BUSINESS PARK
HUNTINGDON CAMBS PE 29 6FN
TEL. 01480 413831
FAX. 01480 451489
info.salice@saliceuk.co.uk
www.saliceuk.co.uk

SALICE AMERICA INC.

2123 CROWN CENTRE DRIVE
CHARLOTTE NC. 28227
TEL. 704 8417810
FAX. 704 8417808
info.salice@saliceamerica.com
www.saliceamerica.com

SALICE CANADA INC.

4025 SLADEVIEW CRESCENT
UNIT # 7-9
MISSISSAUGA, ONTARIO L5L 5Y1
TEL. 905 8208787
FAX. 905 8207226
info.salice@salicecanada.com
www.salicecanada.com

SALICE CHINA (SHANGHAI) CO. LTD.

1st FLOOR, B1 BLDG 928 MINGZHU ROAD
XUJING, QINGPU DISTRICT
SHANGHAI 201702 - CHINA
Tel. 021 3988 9880
Fax 021 3988 9882
info.salice@salicechina.com
www.salicechina.com