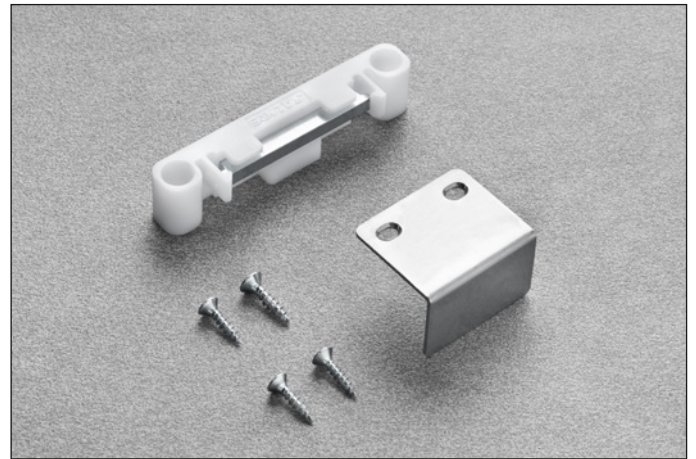


Shelf - Lock-open function for runners and drawers

AROSXXY

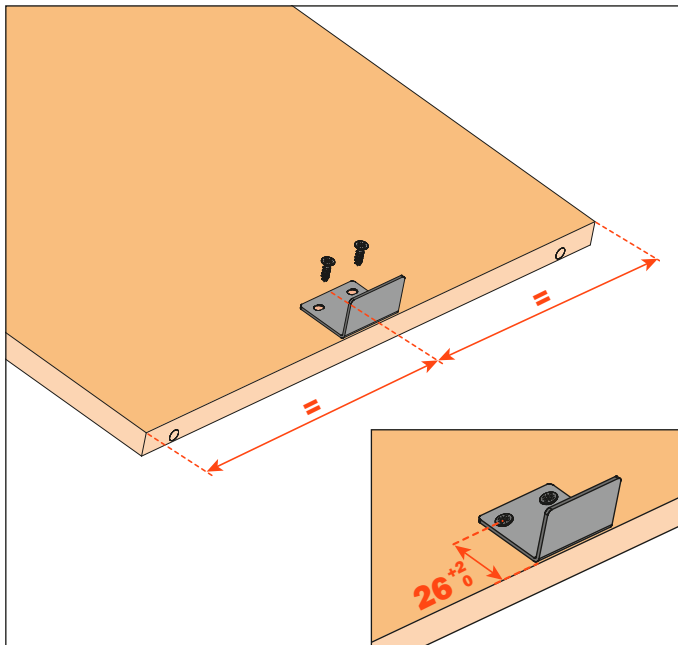
The shelf is held at the maximum opening position by means of a rear-fixed bracket and a magnet.

Packing = 20 magnets, 20 brackets. Screws included.

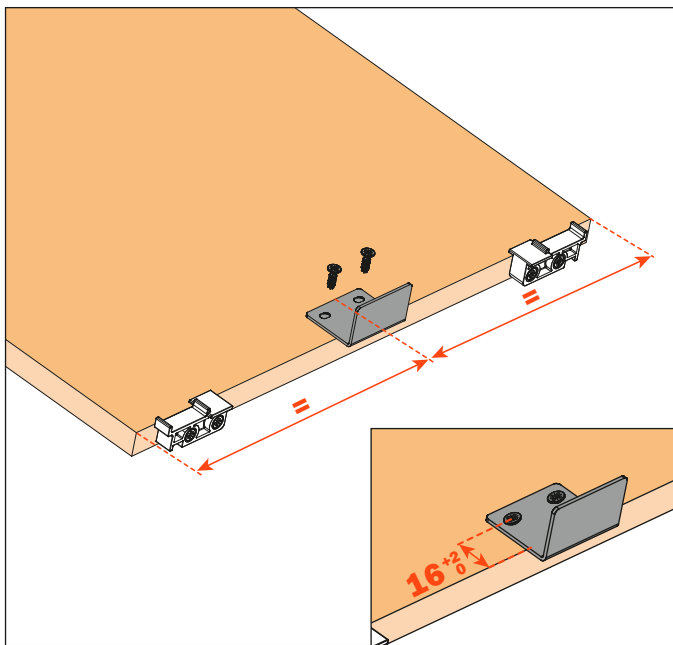


Assembly instructions

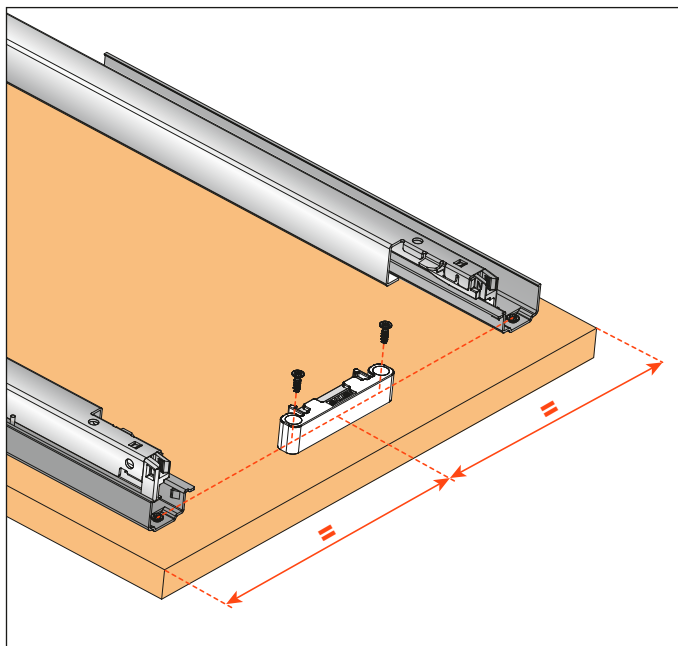
1 A) Fixing the bracket, aligned with the back of the shelf.



1 B) Fixing the bracket to the shelf with the support for the rear hook. In this case, the bracket must be aligned to the support for the rear hook.



2) Fixing the magnet to the bottom.



3) The shelf is held at the maximum opening position.

