



## Technical information

### Hinges for glass doors.

Hole diameter 26 mm.

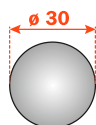
94° opening.

For use with glass from 4 mm to 6 mm thickness.

Possible drilling distance on the door (K): from 5.5 to 6.5 mm.

Compatible with all traditional Series 200 mounting plates and with all Domi snap-on mounting plates.

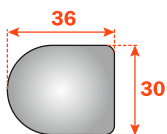
## P2CTA



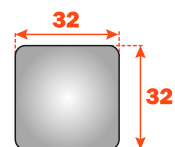
## Fancy covers

See page 352 chapter "Accessories" for the available finishes.

## P2CBA



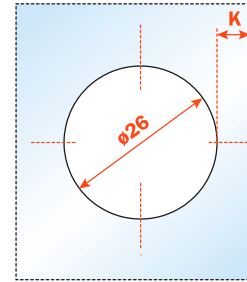
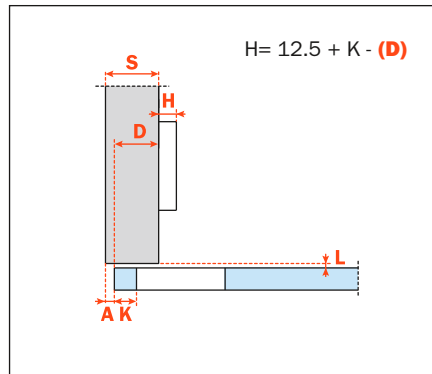
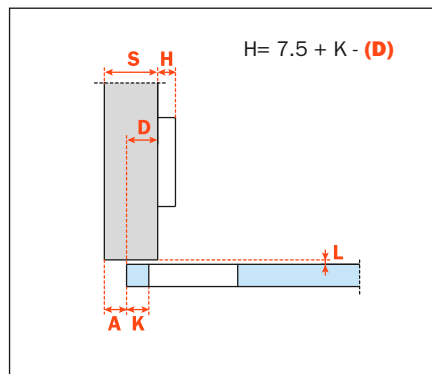
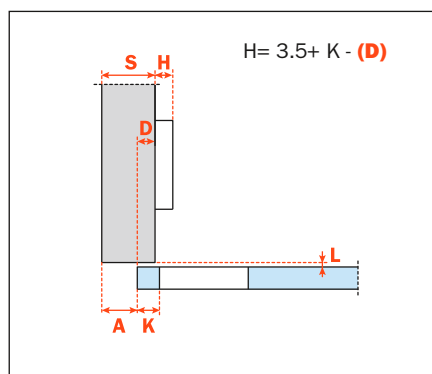
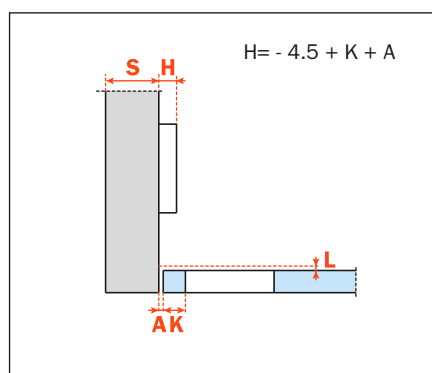
## P2CQA



**Packing**

Boxes 150 pcs.  
Pallets 3.600 pcs.

Use these formulas to determine the type of hinge arm, the drilling distance "K" and the height of the mounting plate "H" which is necessary to solve each application problem.

**CA sprung hinge****Arm 0****CA - C2C7A39****Arm 5****CA - C2C7D39****Arm 9****CA - C2C7G39****Arm 17****CA - C2C7P39**

## Packing

Boxes 150 pcs.  
Pallets 3.600 pcs.

## CA sprung hinge

The solution of assembly problems where doors are mounted at a positive or negative angle requires the verification of drilling distances by a practical trial. Please do not hesitate to consult our technical support department for assistance.

## Technical information

### Hinges for glass doors with positive angled assembly.

Hole diameter 26 mm.

94° opening.

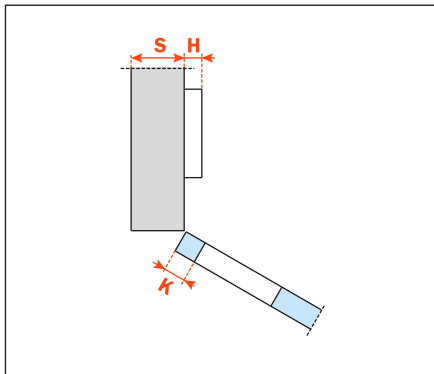
For use with glass from 4 mm to 6 mm thickness.

Possible drilling distance on the door (K): from 5.5 to 6.5 mm.

Compatible with all Series 200 traditional mounting plates and with all Domi snap-on mounting plates.

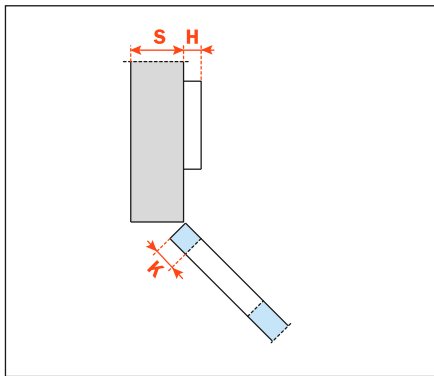
Applications with doors set at any angle between - 7.5° to + 70° are possible by combining the appropriate hinge and mounting plate.

### Arm 30°



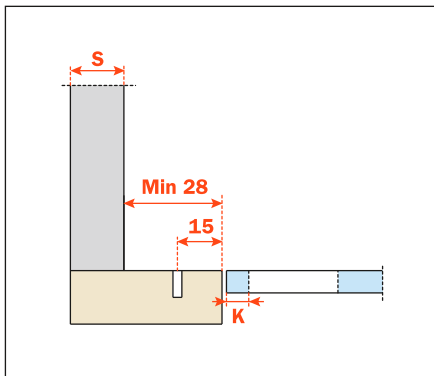
**CA - C2C7E39**

### Arm 45°



**CA - C2C7M39**

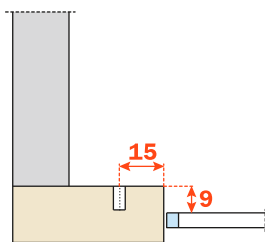
### Crampon



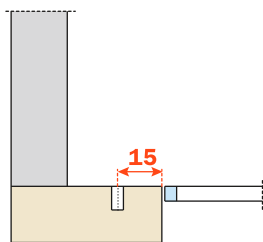
**Crampon hinges.** To be used only with Series 200 mounting plates for traditional assembly and drilling 28x32 mm.

**CA - C2C7N39**

H = 0



H = 9



H = 12

